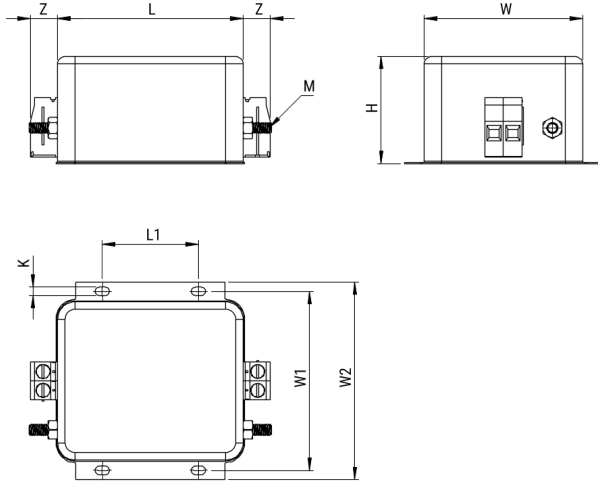


## FLLE2036AANT3

Aliases (LLE2036AANT3)

KEMET, FLLE2-AN, EMI/RFI Filters, Noise Suppression, 300 VAC, 480 V, 36 A, 99x85x57mm



Click [here](#) for the 3D model.

### Dimensions

L	99mm MIN
W	85mm MIN
H	57mm MIN
L1	51mm MIN
W1	95mm MIN
W2	105mm MIN
Z	15mm MIN
K	4.5mm MIN
M (Earth)	Threaded Studs M6

### Packaging Specifications

Packaging	Bulk
Packaging Quantity	1

### General Information

Series	FLLE2-AN
Style	Chassis Mount
Description	Single Phase Chassis Mount Filters
Features	Single Phase
Phase	Single-phase
RoHS	Yes
Qualifications	IEC/EN/UL 60939
Terminal Type	Threaded Studs M6

### Specifications

Voltage AC	300 VAC
Voltage DC	480 VDC
Rated Frequency	50-60 Hz
Rated Current	36 A
Rated Temperature	40°C
Temperature Range	-25/+100°C
Climate Category	25/100/21