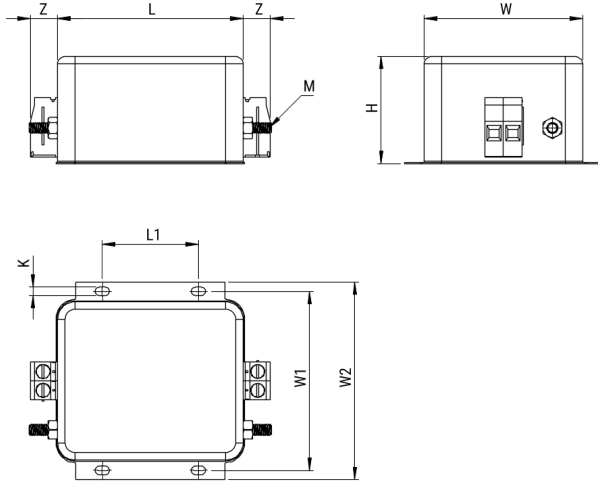


FLLE2012AANT3

Aliases (LLE2012AANT3)

KEMET, FLLE2-AN, EMI/RFI Filters, Noise Suppression, 300 VAC, 480 V, 12 A, 99x85x57mm



Click [here](#) for the 3D model.

Dimensions

L	99mm MIN
W	85mm MIN
H	57mm MIN
L1	51mm MIN
W1	95mm MIN
W2	105mm MIN
Z	15mm MIN
K	4.5mm MIN
M (Earth)	Threaded Studs M6

Packaging Specifications

Packaging	Bulk
Packaging Quantity	1

General Information

Series	FLLE2-AN
Style	Chassis Mount
Description	Single Phase Chassis Mount Filters
Features	Single Phase
Phase	Single-phase
RoHS	Yes
Qualifications	IEC/EN/UL 60939
Terminal Type	Threaded Studs M6

Specifications

Voltage AC	300 VAC
Voltage DC	480 VDC
Rated Frequency	50-60 Hz
Rated Current	12 A
Rated Temperature	40°C
Temperature Range	-25/+100°C
Climate Category	25/100/21

Statements of suitability for certain applications are based on our knowledge of typical operating conditions for such applications, but are not intended to constitute - and we specifically disclaim - any warranty concerning suitability for a specific customer application or use. This information is intended for use only by customers who have the requisite experience and capability to determine the correct products for their application. Any technical advice inferred from this information or otherwise provided by us with reference to the use of our products is given gratis, and we assume no obligation or liability for the advice given or results obtained.