

Single phase 250Vac 6 to 30A EMC Filters with DIN rail option

https://product.tdk.com/en/search/emc/emc/power-line/tec_data/nf_rsev
<https://www.emea.lambda.tdk.com/uk/products/r-series>

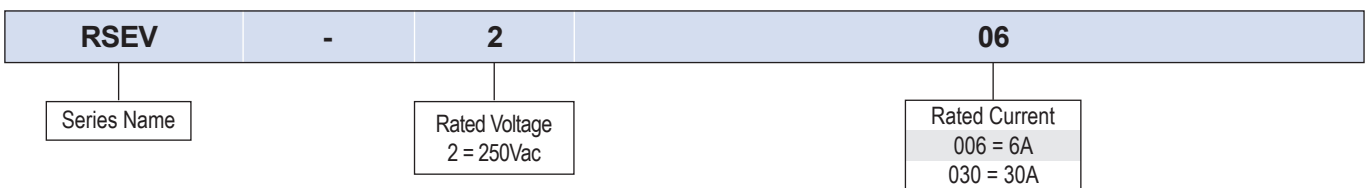


The RSEV single-phase EMC filters are enclosed in a compact plastic case and can be either chassis or DIN mounted with an optional bracket. They are rated for 250Vac with five current ratings of 6 to 30A in one package size, enabling the optimum attenuation to match the current rating. The connection terminals are integrated into the case and the screws recessed and captive. This avoids dropped or lost hardware. The RSEV series is UL certified for a short circuit current rating of 14,000A with the appropriate breaker.

Features	Benefits
• Compact Size	• Less System Space Utilized
• 6 to 30A Current Ratings	• Optimizes the Attenuation for the Current Rating
• DIN Rail Bracket Option	• Flexible Mounting
• Recessed Captive Screws	• No Lost Hardware
• Safety Certified	• Global Use

Model Selector						
Model	Rated Current (A)	SCCR (kA) ⁽¹⁾	HV Pulse Protection	Maximum DC Resistance (mΩ)	Attenuation frequency range (MHz) at 25dB	
					Common Mode	Differential Mode
RSEV-2006	6	14	N	110	0.1 to 30	0.2 to 30
RSEV-2010	10	14	N	40	0.2 to 30	0.2 to 30
RSEV-2016	16	14	N	20	0.6 to 30	0.3 to 30
RSEV-2020	20	14	N	10	0.8 to 30	0.4 to 30
RSEV-2030	30	14	N	6	2 to 30	0.5 to 30
DIN-RSEV (DIN Bracket)	-	-	-	-	-	-

Part Numbering Scheme



Related Products									
Type	Current Rating (A)	Series	Low Leakage	Faston on Terminals	Wire Leads	DIN Rail Mount	Fused	Discharge Resistor	Metal Case
Board mount line filter, HV Pulse	0.5 - 6	RSAG							
Board mount line filter	0.5 - 6	RSEG							
General purpose with faston terminals	6	RSEC							
General purpose	0.5 - 6	RSEL	Y	Y	Y				Y
HV pulse protection	0.5 - 6	RSAL	Y	Y	Y				
Power Entry Module with line filter	3, 6, 10	RPE	Y				Y	Y	
Power Entry Module with line filter, HV Pulse	3, 6, 10	RPA	Y					Y	
Multipurpose	3 - 300	RSEN	Y (Up to 30A)			Y (Up to 30A)			
Multipurpose with HV pulse protection	3 - 60	RSAN	Y (Up to 30A)			Y (Up to 30A)			
High attenuation	3 - 300	RSHN	Y (Up to 30A)			Y (Up to 30A)			
High attenuation with pulse protection	3 - 300	RSMN	Y (Up to 30A)			Y (Up to 30A)			
Wide band, high attenuation	6 - 30	RSKN							

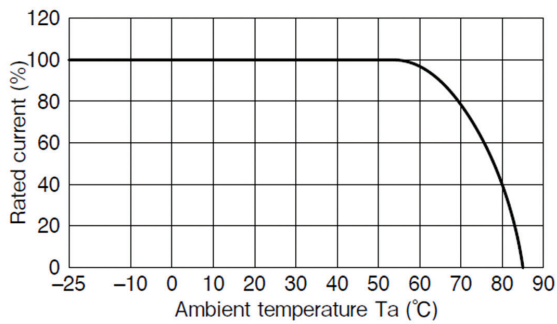
* Separate mounting bracket
[Click here for TDK-Lambda three phase filters.](#)

Specification		
Model		
Input		
Rated Voltage	Vac/Vdc	250 (Safety certified for AC input only)
Input Frequency	Hz	47 - 63
Leakage Current	mA	<1 at 250Vac, 60Hz
Safety Certifications and Markings	-	UL1283, CSA C22.2 No.8 (cUL), EN60939-3 (ENEC15), conforms to RoHS Directive
Environmental		
Operating Temperature	°C	-25 to +85, derating above 55. See derating curve below
Storage Temperature	°C	-25 to +85
Humidity (non condensing)	%RH	Operating and storage 15 - 85
Cooling	-	Convection
Withstand Voltage	Vac	2,500 input to earth
Isolation Resistance (For 1 minute)	MΩ	>100 at 500Vdc
Vibration	-	10-55Hz Amplitude 1.5mm, Sweep for 1 min. X, Y and Z directions for 2 hours each
Other		
Weight (Typ)	g	150
Size (LxWxH)	mm	85 x 39 x 30
Size (LxWxH)	Inches	3.35 x 1.54 x 1.18
Connectors	-	M4 Screw terminals
Warranty	Years	5

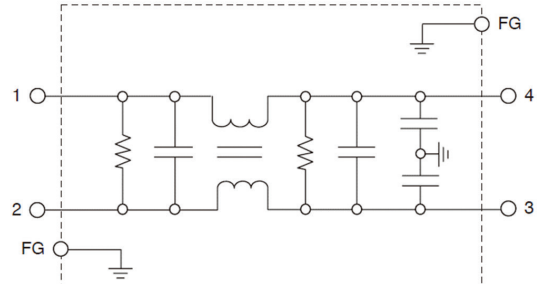
Notes
 (1) With 100A inverse time circuit breaker. See UL1283 report on website
 See website for detailed specifications, test methods and installation manual.
[RSEV technical files](#)

Mechanical Specification

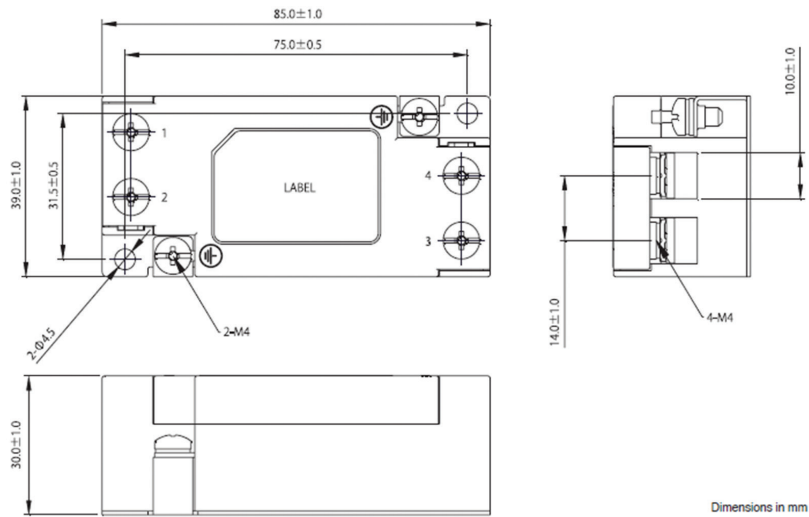
Derating Curve (All models)



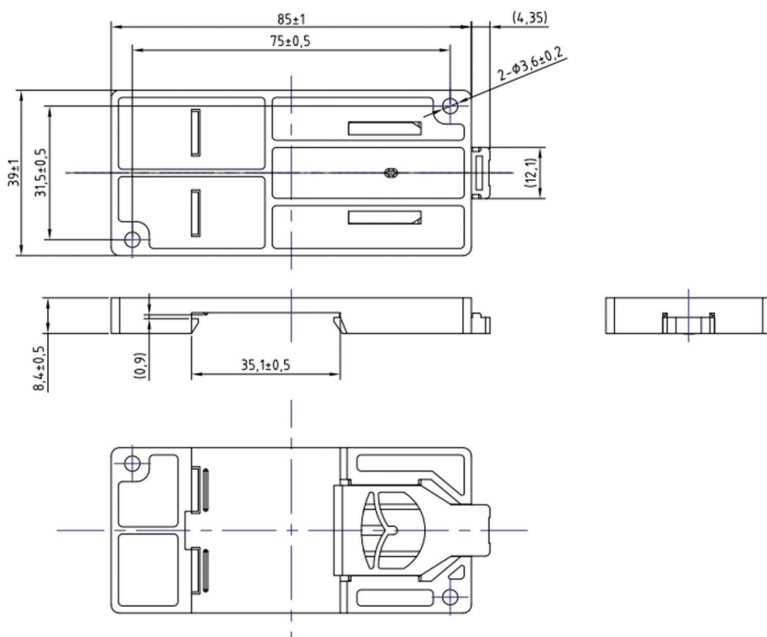
Schematic



RSEV Outline Drawing & Pin Out

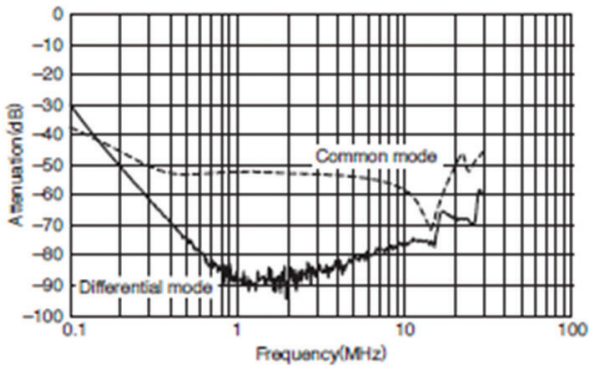


DIN-RSEV Outline Drawing

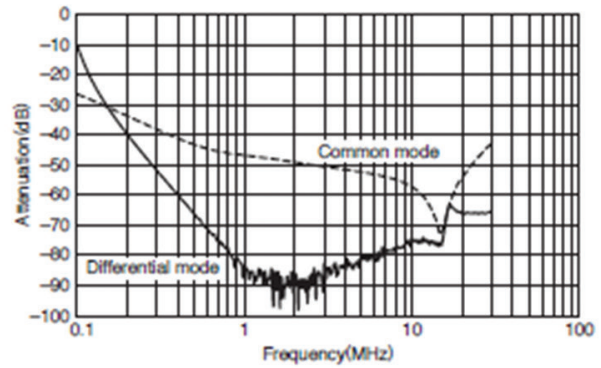


RSEV Attenuation vs. Frequency

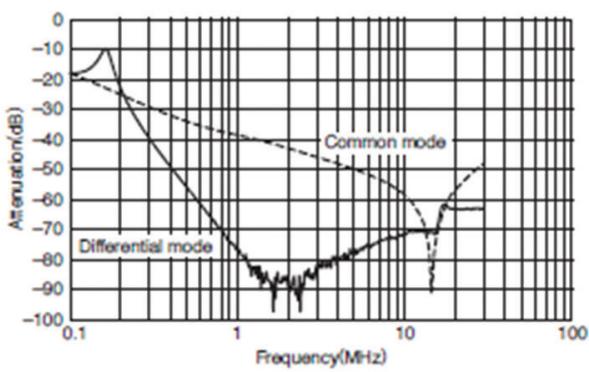
RSEV-2006



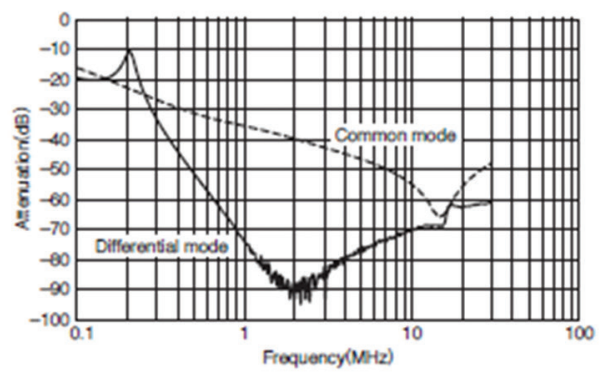
RSEV-2010



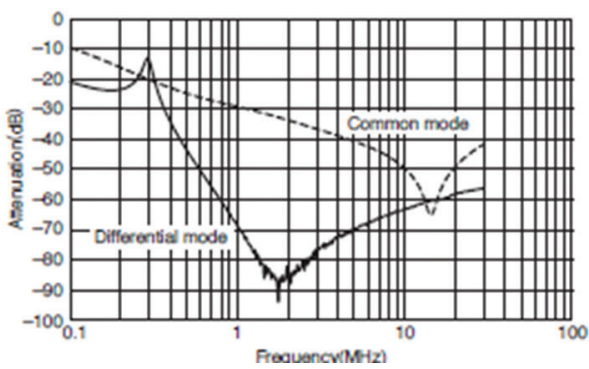
RSEV-2016



RSEV-2020



RSEV-2030





TDK-Lambda France SAS

Tel: +33 1 60 12 71 65
 tlf.fr-powersolutions@tdk.com
 www.emea.lambda.tdk.com/fr



Italy Sales Office

Tel: +39 02 61 29 38 63
 tlf.it-powersolutions@tdk.com
 www.emea.lambda.tdk.com/it



Netherlands

tlf.nl-powersolutions@tdk.com
 www.emea.lambda.tdk.com/nl



TDK-Lambda Germany GmbH

Tel: +49 7841 666 0
 tlq.powersolutions@tdk.com
 www.emea.lambda.tdk.com/de



Austria Sales Office

Tel: +43 2256 655 84
 tlq.at-powersolutions@tdk.com
 www.emea.lambda.tdk.com/at



Switzerland Sales Office

Tel: +41 44 850 53 53
 tlq.ch-powersolutions@tdk.com
 www.emea.lambda.tdk.com/ch



Nordic Sales Office

Tel: +45 8853 8086
 tlq.dk-powersolutions@tdk.com
 www.emea.lambda.tdk.com/dk



TDK-Lambda UK Ltd.

Tel: +44 (0) 12 71 85 66 66
 tlu.powersolutions@tdk.com
 www.emea.lambda.tdk.com/uk



TDK-Lambda Ltd.

Tel: +9 723 902 4333
 tli.powersolutions@tdk.com
 www.emea.lambda.tdk.com/il-en



TDK-Lambda Americas

Tel: +1 800-LAMBDA-4 or 1-800-526-2324
 tla.powersolutions@tdk.com
 www.us.lambda.tdk.com



TDK Electronics do Brasil Ltda

Tel: +55 11 3289-9599
 sales.br@tdk-electronics.tdk.com
 www.tdk-electronics.tdk.com/en



TDK-Lambda Corporation

Tel: +81-3-6778-1113
 www.jp.lambda.tdk.com



TDK-Lambda (China) Electronics Co. Ltd.

Tel: +86 21 6485-0777
 tlc.powersolutions@tdk.com
 www.lambda.tdk.com.cn



TDK-Lambda Singapore Pte Ltd.

Tel: +65 6251 7211
 tfs.marketing@tdk.com
 www.sg.lambda.tdk.com



TDK India Private Limited, Power Supply Division

Tel: +91 80 4039-0660
 mathew.philip@tdk.com
 www.sg.lambda.tdk.com

