

Mains Power Cord, UL Listed, IEC 60320 C14 to C13, 1m, 3.25ft, 10 A, 250 VAC, Black

RoHS
Compliant

Stock No.: PE03901US-SJT

FEATURES

- C14 TO C13
- SJT
- 18 AWG



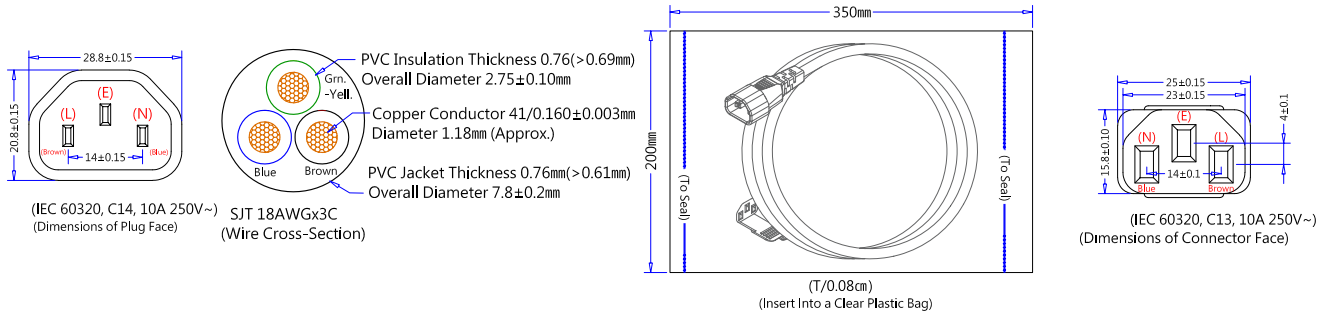
Product Description

The Universal Power Cords are a perfect replacement for your lost, damaged, or inadequate power cord. They are designed to work with most PCs, monitors, scanners, printers, and other devices that use the 3-pin C13 connector. This cable features a fully molded design that provides maximum durability and long-life.

General Specifications

Attribute	Value
Connector to Connector	IEC 60320 C14 to C13
Connector Type A	IEC 60320 C14
Connector Type B	IEC 60320 C13
Cable Length	1m
Current Rating	10A
Jacket Color	Black

Product Drawing



Plug Component			Plug Component (Dimension)		
Colour	Component	Qty	Strep	ROJ	Colour
35P (Black)	(IEC 60320, C14, 10A 250V)	1	6 +1/-0	20 ±2	Brown (L)
Nickel-plated	2.0 × 4.0 (GEM 98672-1) (Computer Solid Blades, #16-#18)	3	6 +1/-0	20 ±2	Blue (N)
Black	(GS-009) (Computer 2 × 4 Serial Housing)	1	6 +1/-0	20 ±2	Green-Yellow (E)

Connector Component			Connector Component (Dimensions)		
(Instruction)	Qty.	Colour	ROJ	Strip	Colour
(IEC 60320, C13, 10A 125V)	1	35P (Black)	16±1	5 +1/-0	Brown (L)
2.0 × 4.0 GEM 98740BS-0 (#16-18) (Receptacle Terminal)	3	(Brass-Natural)	16±1	5 +1/-0	Blue (N)
GA005-5 (2.0 × 4.0 Serial Housing)	1	(Off-White)	16±1	5 +1/-0	Green-Yellow (E)

Dimensions: Millimeters (Inches)

Part Number Table

Part Number	Description
PE03901US-SJT	Mains Power Cord, UL Listed, IEC 60320 C14 to C13, 1m, 3.25ft, 10 A, 250 VAC, Black

Important Notice: This data sheet and its contents (the "Information") belong to the members of the EASE group of companies (the "Group") or are licensed to it. No license is granted for the use of it other than for information purposes in connection with the products to which it relates. No license of any intellectual property rights is granted. The Information is subject to change without notice and replaces all data sheets previously supplied. The Information supplied is believed to be accurate, but the Group assumes no responsibility for its accuracy or completeness, any error in or omission from it or for any use made of it. Users of this data sheet should check for themselves the Information and the suitability of the products for their purpose and not make any assumptions based on information included or omitted. Liability for loss or damage resulting from any reliance on the Information or use of it (including liability resulting from negligence or where the Group was aware of the possibility of such loss or damage arising) is excluded. This will not operate to limit or restrict the Group's liability for death or personal injury resulting from its negligence. EASE is the registered trademark of Ease Electronics Co., Limited 2019.