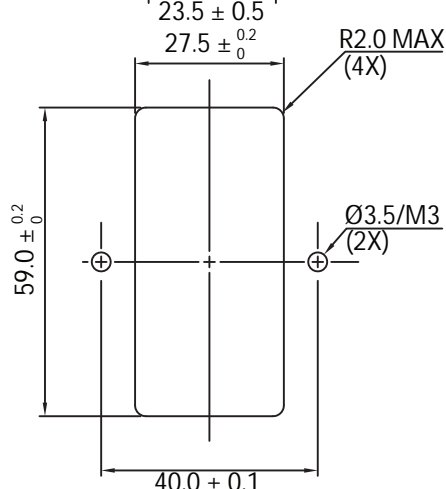
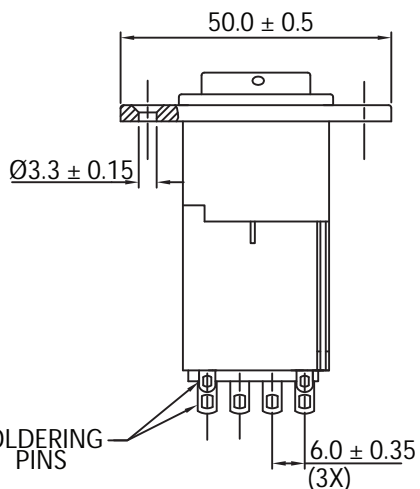
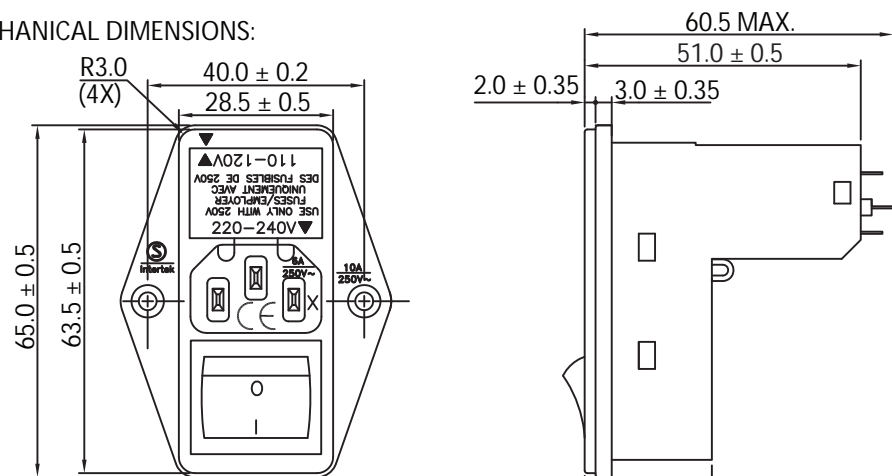
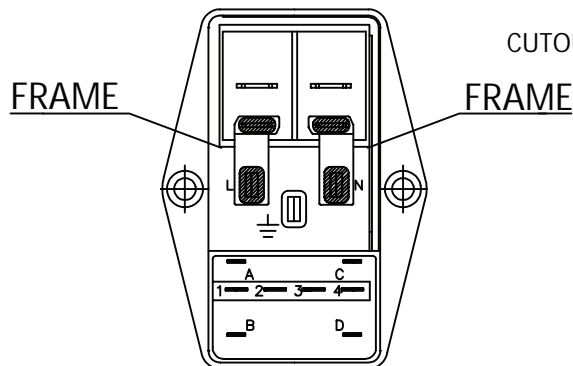


THESE DRAWINGS ARE THE PROPERTY OF QUALTEK ELECTRONICS AND NOT TO BE REPRODUCED FOR OR COMMUNICATED TO A THIRD PARTY WITHOUT THE EXPRESS WRITTEN PERMISSION OF AN OFFICER OF QUALTEK ELECTRONICS.

MECHANICAL DIMENSIONS:

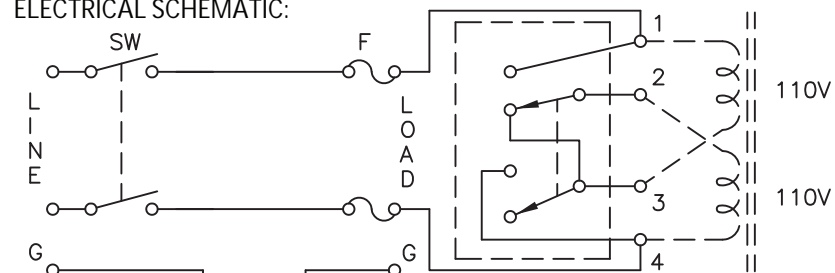


CUTOUT DIMENSION FOR SOCKET MOUNTING



REVISION			
REV.	DESCRIPTION	DATE	APPROVED
B	RoHS Compliancy	06-01-06	DP
C	Updated Specifications	01-24-08	DP
D	Fuse Changed to 5x20mm Size Only	01-08-19	LY

ELECTRICAL SCHEMATIC:



NOTES:

ELECTRICAL CHARACTERISTICS:

RATED VOLTAGE: 250VAC

RATED CURRENT:

UL, CSA @ 115/250VAC 10A RMS MAX

SEMKO @250VAC 6A RMS MAX

HIPOT RATING (FOR ONE MINUTE)

LINE TO GROUND: 2000VAC

LINE TO LINE: 2000VAC

MINIMUM INSERTION RESISTANCE (FOR ONE MINUTE AT 500VDC)

LINE TO GROUND: 10M OHM

LINE TO LINE: 10M OHM

DOUBLE 5x20mm FUSEHOLDER (FUSES NOT INCLUDED)

SOLDER TAB TERMINALS

FLAMMABILITY CLASS UL94V-0

PLASTIC CASE

SCREW MOUNT TYPE

= VOLTAGE SELECTOR 110-120 VAC

220-240 VAC

APPROVALS: UL, CSA, SEMKO

RoHS COMPLIANT

**CONTROLLED**

Dim range (mm)	Tolerance +/- (mm)	Qualtek Electronics Corp. PPC DIVISION		
		Part Number: 763-00/001	RoHS Compliant	
0-1	0.15	Description: MULTI-FUNCTION MODULE		
1-6	0.20			
6-18	0.30	UNIT: mm	REV. D	
18-50	0.50		Approved / Date	
50-120	0.70	Drawn / Date	Checked / Date	Approved / Date
120-250	0.90	B.ZHANG 06-29-05	06-29-05	JJH / 06-29-05
250-500	1.20			