

EV-T2AC-PARK - Charging connector holder



1624148

<https://www.phoenixcontact.com/us/products/1624148>

Please be informed that the data shown in this PDF document is generated from our online catalog. Please find the complete data in the user documentation. Our general terms of use for downloads are valid.



CHARX connect, Charging connector holder, Accessories, for vehicle charging connectors on charging stations (EVSE), Type 2, IEC 62196-2, Front mounting, housing: black, PHOENIX CONTACT logo

Product description

Retainer for Vehicle Connector as parking position at charging stations for E-Mobility (EVSE)

Your advantages

- Developed and produced in accordance with the IATF 16949 automotive standard and ISO 9001
- Individual branding, thanks to the use your own logo

Commercial data

| | |
|--------------------------------------|--------------------|
| Item number | 1624148 |
| Packing unit | 1 pc |
| Minimum order quantity | 1 pc |
| Sales key | EM01 |
| Product key | XWBAJC |
| Catalog page | Page 45 (C-7-2019) |
| GTIN | 4055626242828 |
| Weight per piece (including packing) | 137.4 g |
| Weight per piece (excluding packing) | 132.7 g |
| Customs tariff number | 39269097 |
| Country of origin | DE |

EV-T2AC-PARK - Charging connector holder



1624148

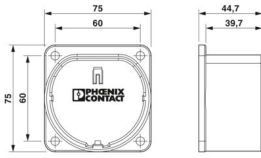
<https://www.phoenixcontact.com/us/products/1624148>

Technical data

Product properties

| | |
|-------------------|---|
| Product type | Charging connector holder |
| Product family | CHARX connect |
| Application | for vehicle charging connectors on charging stations (EVSE) |
| Type | Accessories |
| Affixed logo | PHOENIX CONTACT logo |
| Charging standard | Type 2 |
| Charging mode | Mode 3 |

Dimensions

| | |
|---------------------|--|
| Width | 75 mm |
| Height | 75 mm |
| Depth | 44.7 mm |
| Dimensional drawing |  |
| Bore dimensions | 60 mm x 60 mm |

Material specifications

| | |
|--|--------------|
| Color (Housing) | black (9005) |
| Material (Housing) | Plastic |
| Flammability rating according to UL 94 | V0 () |

Mechanical properties

| | |
|----------|--|
| Securing | With locking clips for locking contour |
| Removal | Lifting and removal |

Environmental and real-life conditions

Ambient conditions

| | |
|---|-------------------|
| Degree of protection | IP54 (plugged in) |
| Ambient temperature (operation) | -30 °C ... 50 °C |
| Ambient temperature (storage/transport) | -40 °C ... 80 °C |

Standards and regulations

Standards

| | |
|-----------------------|-------------|
| Standards/regulations | IEC 62196-2 |
|-----------------------|-------------|

Mounting

EV-T2AC-PARK - Charging connector holder



1624148

<https://www.phoenixcontact.com/us/products/1624148>

| | |
|---|--|
| Mounting type Charging connector holder | Front mounting (0° ... 45° frontal inclination possible) |
| Mounting hole diameter | 6.00 mm (ø) |

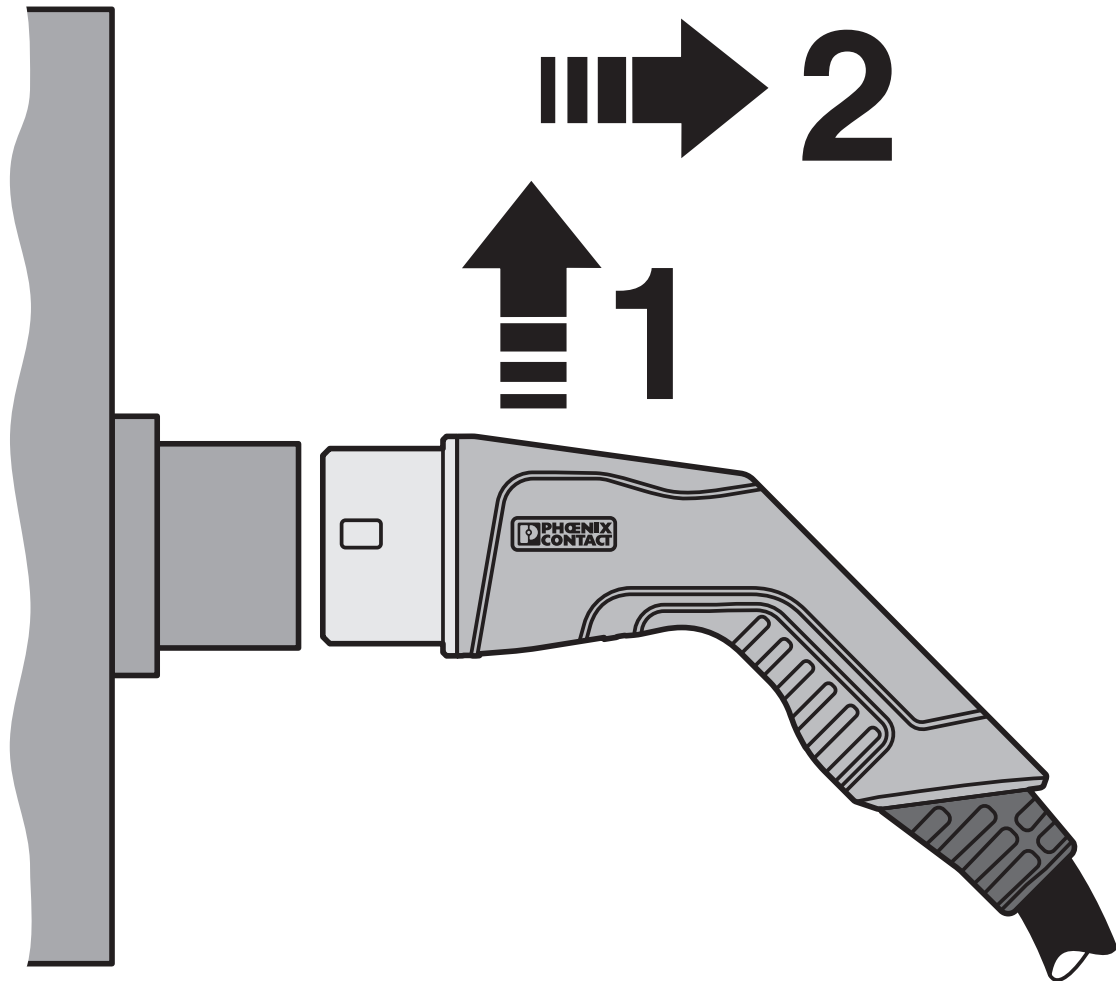
EV-T2AC-PARK - Charging connector holder

1624148

<https://www.phoenixcontact.com/us/products/1624148>

Drawings

Schematic diagram



The attached AC Vehicle Connector is raised in the holder, releasing it from the integrated locking clip, and it can then be removed.

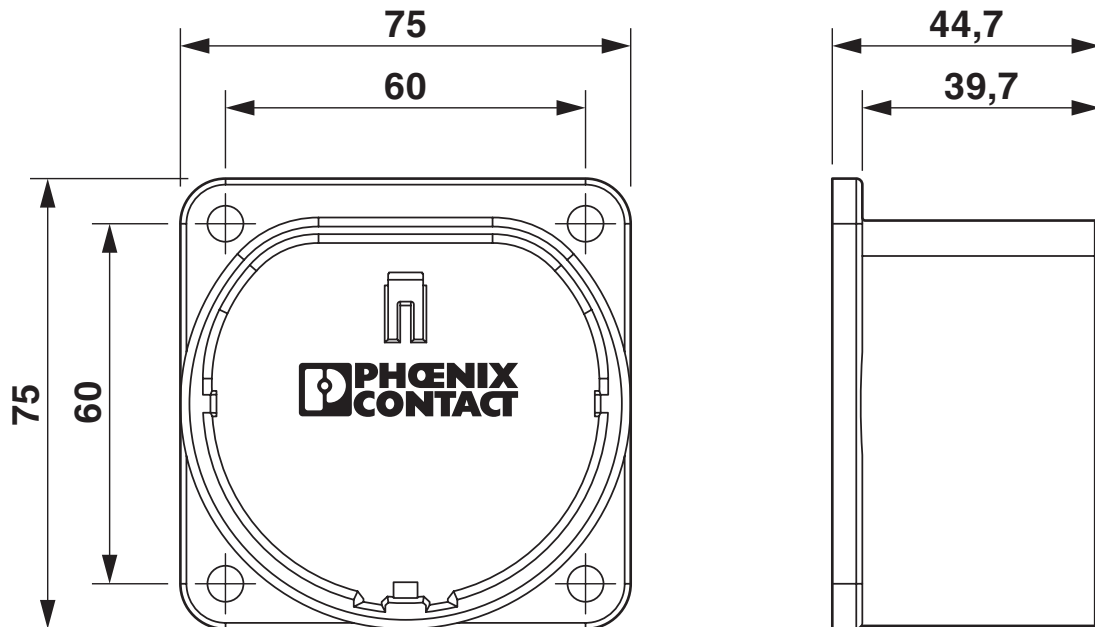
EV-T2AC-PARK - Charging connector holder

1624148

<https://www.phoenixcontact.com/us/products/1624148>



Dimensional drawing



Dimensional drawing

EV-T2AC-PARK - Charging connector holder



1624148

<https://www.phoenixcontact.com/us/products/1624148>

Classifications

ECLASS

| | |
|-------------|----------|
| ECLASS-11.0 | 27144792 |
| ECLASS-12.0 | 27144792 |
| ECLASS-13.0 | 27144792 |

ETIM

| | |
|----------|----------|
| ETIM 9.0 | EC002884 |
|----------|----------|

UNSPSC

| | |
|-------------|----------|
| UNSPSC 21.0 | 39121500 |
|-------------|----------|

EV-T2AC-PARK - Charging connector holder



1624148

<https://www.phoenixcontact.com/us/products/1624148>

Environmental product compliance

EU RoHS

| | |
|---|--------------------|
| Fulfills EU RoHS substance requirements | Yes, No exemptions |
|---|--------------------|

China RoHS

| | |
|--|---|
| Environment friendly use period (EFUP) | EFUP-10 |
| | An article-related China RoHS declaration table can be found in the download area for the respective article under "Manufacturer declaration". For all articles with EFUP-E, no China RoHS declaration table issued and required. |

EU REACH SVHC

| | |
|-------------------------------------|----------------------------|
| REACH candidate substance (CAS No.) | No substance above 0.1 wt% |
|-------------------------------------|----------------------------|

Phoenix Contact 2024 © - all rights reserved

<https://www.phoenixcontact.com>

Phoenix Contact USA
586 Fulling Mill Road
Middletown, PA 17057, United States
(+717) 944-1300
info@phoenixcon.com