

EV-T1AC-PARK - Charging connector holder



1624139

<https://www.phoenixcontact.com/us/products/1624139>

Please be informed that the data shown in this PDF document is generated from our online catalog. Please find the complete data in the user documentation. Our general terms of use for downloads are valid.



CHARX connect, Charging connector holder, Accessories, for vehicle charging connectors on charging stations (EVSE), Type 1, SAE J1772, Front mounting, housing: black

Product description

Retainer for Vehicle Connector as parking position at charging stations for E-Mobility (EVSE)

Commercial data

Item number	1624139
Packing unit	1 pc
Minimum order quantity	1 pc
Sales key	EM01
Product key	XWBAJA
Catalog page	Page 44 (C-7-2019)
GTIN	4055626241555
Weight per piece (including packing)	114 g
Weight per piece (excluding packing)	72 g
Customs tariff number	39269097
Country of origin	DE

EV-T1AC-PARK - Charging connector holder



1624139

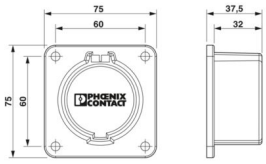
<https://www.phoenixcontact.com/us/products/1624139>

Technical data

Product properties

Product type	Charging connector holder
Product family	CHARX connect
Application	for vehicle charging connectors on charging stations (EVSE)
Type	Accessories
Charging standard	Type 1
Charging mode	Mode 3

Dimensions

Width	75 mm
Height	75 mm
Depth	37.5 mm
Dimensional drawing	
Bore dimensions	60 mm x 60 mm

Material specifications

Color (Housing)	black (9005)
Material (Housing)	Plastic
Flammability rating according to UL 94	V0 ()

Mechanical properties

Securing	With actuation lever
Removal	Lever actuation and removal

Environmental and real-life conditions

Ambient conditions

Degree of protection	IP54 (plugged in)
Ambient temperature (operation)	-30 °C ... 50 °C
Ambient temperature (storage/transport)	-40 °C ... 80 °C

Standards and regulations

Standards

Standards/regulations	SAE J1772
-----------------------	-----------

Mounting

Mounting type Charging connector holder	Front mounting (0° ... 45° frontal inclination possible)
---	--

EV-T1AC-PARK - Charging connector holder



1624139

<https://www.phoenixcontact.com/us/products/1624139>

Mounting hole diameter	6.00 mm (ø)
------------------------	-------------

EV-T1AC-PARK - Charging connector holder

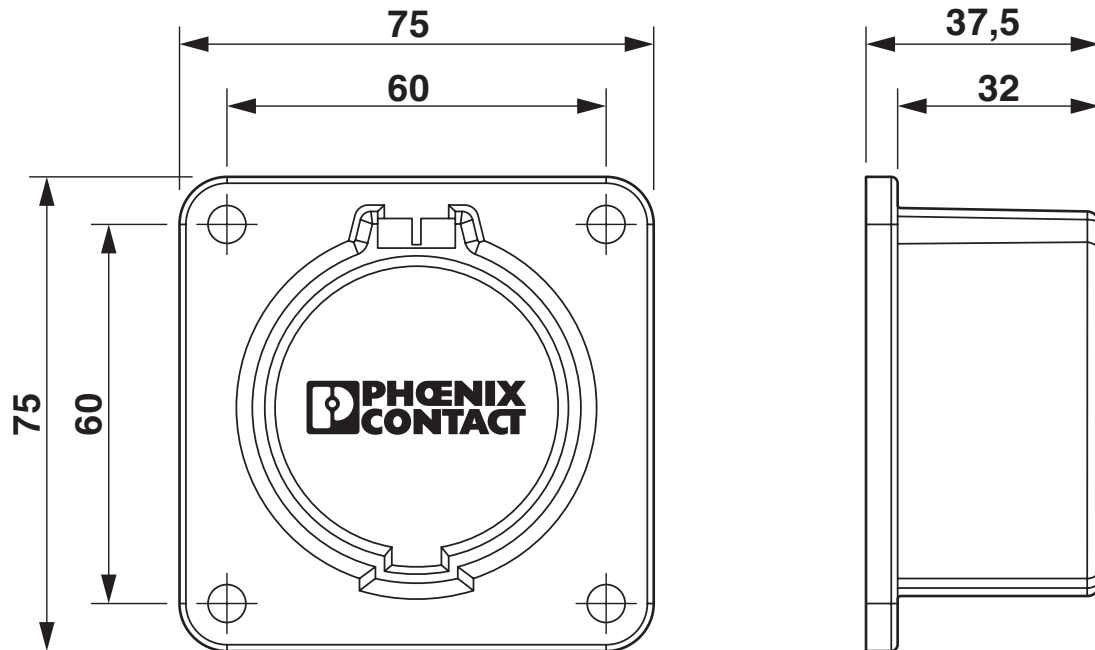
1624139

<https://www.phoenixcontact.com/us/products/1624139>



Drawings

Dimensional drawing



Dimensional drawing

EV-T1AC-PARK - Charging connector holder



1624139

<https://www.phoenixcontact.com/us/products/1624139>

Classifications

ECLASS

ECLASS-11.0	27144792
ECLASS-12.0	27144792
ECLASS-13.0	27144792

ETIM

ETIM 9.0	EC002884
----------	----------

UNSPSC

UNSPSC 21.0	39121500
-------------	----------

EV-T1AC-PARK - Charging connector holder



1624139

<https://www.phoenixcontact.com/us/products/1624139>

Environmental product compliance

EU RoHS

Fulfills EU RoHS substance requirements

Not applicable, No electrical and electronic equipment (EEE), cannot be used in EEE

EU REACH SVHC

REACH candidate substance (CAS No.)

No substance above 0.1 wt%

Phoenix Contact 2024 © - all rights reserved

<https://www.phoenixcontact.com>

Phoenix Contact USA
586 Fulling Mill Road
Middletown, PA 17057, United States
(+717) 944-1300
info@phoenixcon.com