

# EV-GBDC-PARK - Charging connector holder



1623770

<https://www.phoenixcontact.com/us/products/1623770>

Please be informed that the data shown in this PDF document is generated from our online catalog. Please find the complete data in the user documentation. Our general terms of use for downloads are valid.



CHARX connect, Charging connector holder, Accessories, for vehicle charging connectors on charging stations (EVSE), GB/T, GB/T 20234.3, Front mounting, housing: black

## Product description

Retainer for Vehicle Connector as parking position at charging stations for E-Mobility (EVSE)

## Your advantages

- Developed and produced in accordance with the IATF 16949 automotive standard and ISO 9001
- Individual branding, thanks to the use your own logo

## Commercial data

Item number	1623770
Packing unit	1 pc
Minimum order quantity	1 pc
Sales key	EM01
Product key	XWBAJG
Catalog page	Page 43 (C-7-2019)
GTIN	4055626208855
Weight per piece (including packing)	115 g
Weight per piece (excluding packing)	105 g
Customs tariff number	39269097
Country of origin	CN

# EV-GBDC-PARK - Charging connector holder

1623770

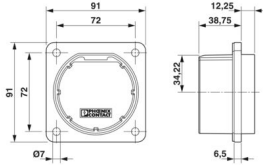
<https://www.phoenixcontact.com/us/products/1623770>

## Technical data

### Product properties

Product type	Charging connector holder
Product family	CHARX connect
Application	for vehicle charging connectors on charging stations (EVSE)
Type	Accessories
Charging standard	GB/T
Charging mode	Mode 4

### Dimensions

Width	91 mm
Height	91 mm
Depth	51 mm
Dimensional drawing	
Bore dimensions	72 mm x 72 mm

### Material specifications

Color (Housing)	black (9005)
Material (Housing)	Plastic
Flammability rating according to UL 94	V0 ( )

### Mechanical properties

Securing	With actuation lever
Removal	Lever actuation and removal

### Environmental and real-life conditions

#### Ambient conditions

Degree of protection	IP54 (plugged in)
Ambient temperature (operation)	-30 °C ... 50 °C
Ambient temperature (storage/transport)	-40 °C ... 80 °C

### Standards and regulations

#### Standards

Standards/regulations	GB/T 20234.3
-----------------------	--------------

### Mounting

Mounting type Charging connector holder	Front mounting (0° ... 45° frontal inclination possible)
---	--

# EV-GBDC-PARK - Charging connector holder



1623770

<https://www.phoenixcontact.com/us/products/1623770>

Mounting hole diameter	7.00 mm
------------------------	---------

# EV-GBDC-PARK - Charging connector holder

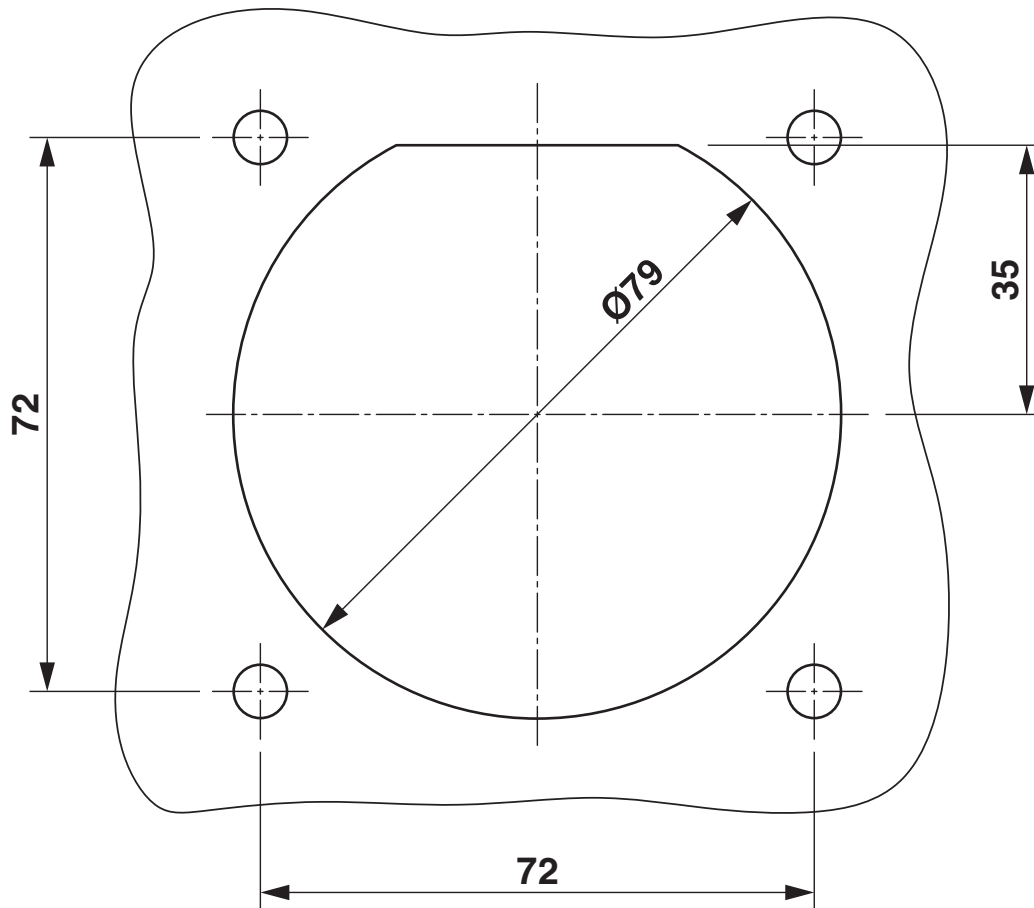


1623770

<https://www.phoenixcontact.com/us/products/1623770>

## Drawings

Drilling plan/solder pad geometry



Hole image

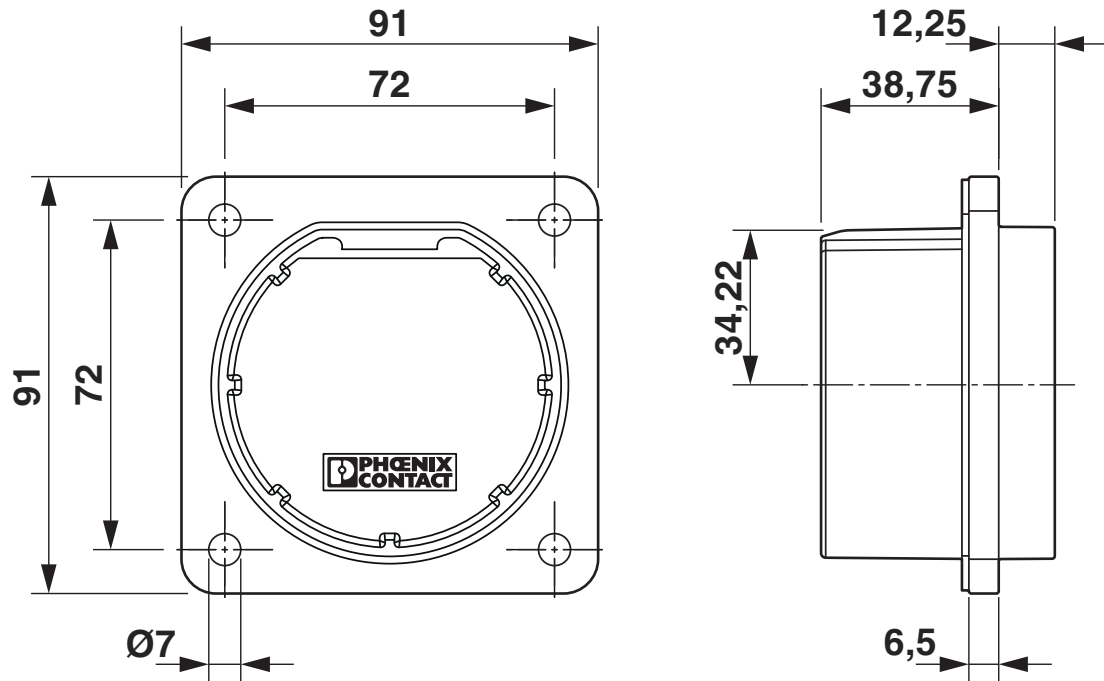
# EV-GBDC-PARK - Charging connector holder



1623770

<https://www.phoenixcontact.com/us/products/1623770>

Dimensional drawing



Dimensional drawing

# EV-GBDC-PARK - Charging connector holder



1623770

<https://www.phoenixcontact.com/us/products/1623770>

## Classifications

### ECLASS

ECLASS-11.0	27144792
ECLASS-12.0	27144792
ECLASS-13.0	27144792

### ETIM

ETIM 9.0	EC002884
----------	----------

### UNSPSC

UNSPSC 21.0	39121500
-------------	----------

# EV-GBDC-PARK - Charging connector holder



1623770

<https://www.phoenixcontact.com/us/products/1623770>

## Environmental product compliance

### EU RoHS

Fulfills EU RoHS substance requirements	Not applicable, No electrical and electronic equipment (EEE), cannot be used in EEE
---	---

### EU REACH SVHC

REACH candidate substance (CAS No.)	No substance above 0.1 wt%
-------------------------------------	----------------------------

Phoenix Contact 2024 © - all rights reserved

<https://www.phoenixcontact.com>

Phoenix Contact USA  
586 Fulling Mill Road  
Middletown, PA 17057, United States  
(+717) 944-1300  
[info@phoenixcon.com](mailto:info@phoenixcon.com)