

EV-T1CCS-MF-M4X10-C - Repair kit




1288248

<https://www.phoenixcontact.com/us/products/1288248>

Please be informed that the data shown in this PDF document is generated from our online catalog. Please find the complete data in the user documentation. Our general terms of use for downloads are valid.



CHARX connect standard, Repair kit, Accessories, with DC contact holder with integrated front part of the DC contacts, with replaceable mating face frame, with 5x M4X10 flat-head screws with Torx safety drive (IPR TORX PLUS® ) for replacement of the mating face frame of vehicle charging connectors, CCS type 1, IEC 62196-3, SAE J1772, Screw mounting, housing: black, The vehicle connector housing does not have to be opened in order to replace the mating face frame.

Product description

Repair kit with replaceable mating face frame for CCS type 1 DC vehicle charging connector

Your advantages

- Complete product range
- Developed and produced in accordance with the IATF 16949 automotive standard and ISO 9001
- Maintenance-friendly replacement of the mating face frame without draining the coolant

Commercial data

Item number	1288248
Packing unit	1 pc
Minimum order quantity	1 pc
Sales key	EM01
Product key	XWB AFB
GTIN	4063151514082
Weight per piece (including packing)	260.8 g
Weight per piece (excluding packing)	260.8 g
Customs tariff number	85389099
Country of origin	DE

EV-T1CCS-MF-M4X10-C - Repair kit



1288248

<https://www.phoenixcontact.com/us/products/1288248>

Technical data

Notes

General	The vehicle connector housing does not have to be opened in order to replace the mating face frame.
---------	---

Product properties

Product type	Repair kit
Product family	CHARX connect standard
Application	for replacement of the mating face frame of vehicle charging connectors
Type	Accessories
Design	with DC contact holder with integrated front part of the DC contacts with replaceable mating face frame with 5x M4X10 flat-head screws with Torx safety drive (IPR TORX PLUS® IEC 60341)
Technology	Combined Charging System
Charging standard	CCS type 1
Charging mode	Mode 4

Material specifications

Color (Housing)	black (9005)
Material (Housing)	Plastic

Environmental and real-life conditions

Ambient conditions

Ambient temperature (operation)	-30 °C ... 50 °C
Ambient temperature (storage/transport)	-40 °C ... 80 °C

Standards and regulations

Standards

Standards/regulations	IEC 62196-3 SAE J1772
-----------------------	--------------------------

Mounting

Mounting type	Screw mounting
---------------	----------------

EV-T1CCS-MF-M4X10-C - Repair kit

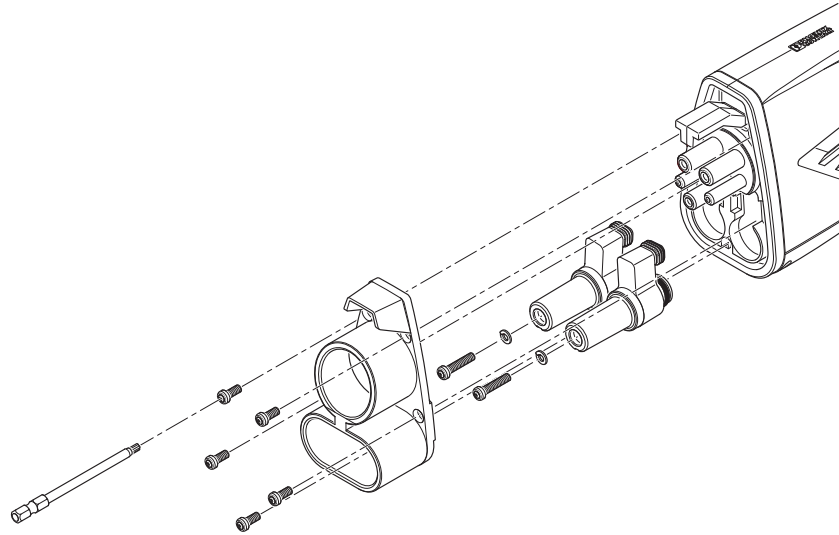


1288248

<https://www.phoenixcontact.com/us/products/1288248>

Drawings

Schematic diagram



Assembly drawing

EV-T1CCS-MF-M4X10-C - Repair kit



1288248

<https://www.phoenixcontact.com/us/products/1288248>

Classifications

ECLASS

ECLASS-11.0	27144792
ECLASS-12.0	27144792
ECLASS-13.0	27144792

ETIM

ETIM 9.0	EC002884
----------	----------

UNSPSC

UNSPSC 21.0	39121500
-------------	----------

EV-T1CCS-MF-M4X10-C - Repair kit



1288248

<https://www.phoenixcontact.com/us/products/1288248>

Environmental product compliance

EU RoHS

Fulfills EU RoHS substance requirements	Yes, No exemptions
---	--------------------

China RoHS

Environment friendly use period (EFUP)	EFUP-10
	An article-related China RoHS declaration table can be found in the download area for the respective article under "Manufacturer declaration". For all articles with EFUP-E, no China RoHS declaration table issued and required.

EU REACH SVHC

REACH candidate substance (CAS No.)	No substance above 0.1 wt%
-------------------------------------	----------------------------

Phoenix Contact 2024 © - all rights reserved

<https://www.phoenixcontact.com>

Phoenix Contact USA
586 Fulling Mill Road
Middletown, PA 17057, United States
(+717) 944-1300
info@phoenixcon.com