

GlobTek, Inc. www.globtek.com 186 Veterans Drive, Northvale, NJ 07647 Tel. (201) 784-1000 Fax (201) 784-0111	Drawing Title: Connector, , Efficiency Level: , Case Color/Style: , , Input Rating: , Output Rating: W, 0.0V@0.0A, Output Configuration: mm, / Cond, , , Ferrite: , , GT Cord # , Pin Out: , Blades/Input Cord: , Approvals: UL; to , GT Cable #: / Conductors, mm	
	Model No. Connector	Part No./Ordering No. 2321-701(R)

In Addition to GlobTek Inc.'s renewed ISO9001:2008 - Quality Management System Certification, GlobTek Inc. is now certified to:

ISO13485:2003 - Medical Devices Quality Management System Certification
ISO14001:2004 - Environmental Management System Certification

ISO Certificates are available online at <http://www.globtek.com/iso-certificates/>

The acceptance of this specification and use of the product described in this document indicates the acceptance and binding of the customer to Globtek TERMS AND CONDITIONS (attached to the end of this document), which supersede all other agreements, terms, and conditions (<http://www.globtek.com/terms-and-conditions/>).

Prop 65 Statement:<https://www.globtek.com/prop-65-statement.pdf>

Footnote:

GlobTek Inc. will not be liable for the safety and performance of these power supplies if unauthorized access and repair occurs. End user should consult applicable UL, CSA or EN standards for proper installation instruction.

Limitation of Use:

GlobTek products are intended for use with commercial, medical, and/or industrial equipment only. GlobTek product are not authorized for use as mission critical components in life support hazardous environment, nuclear or aircraft applications without prior written approval from the CEO of GlobTek Inc.

Contents of this document are subject to change without prior notice.

Customer Approval of Specification:

Please approve, sign and send back to GlobTek so we can complete order processing.
A delay in receipt of this form will delay delivery schedule.

Company Name: _____	Customer P/N: _____
Quote Number: _____	Date: _____
Authorized Representative Name: _____	Authorized Representative Signature: _____

GlobTek, Inc. www.globtek.com 186 Veterans Drive, Northvale, NJ 07647 Tel. (201) 784-1000 Fax (201) 784-0111	Drawing Title: Connector, , Efficiency Level: , Case Color/Style: , , Input Rating: , Output Rating: W, 0.0V@0.0A, Output Configuration: mm, / Cond, , , Ferrite: , , GT Cord # , Pin Out: , Blades/Input Cord: , Approvals: UL; to , GT Cable #: / Conductors, mm	
	Model No. Connector	Part No./Ordering No. 2321-701(R)
		Rev A

REVISION HISTORY

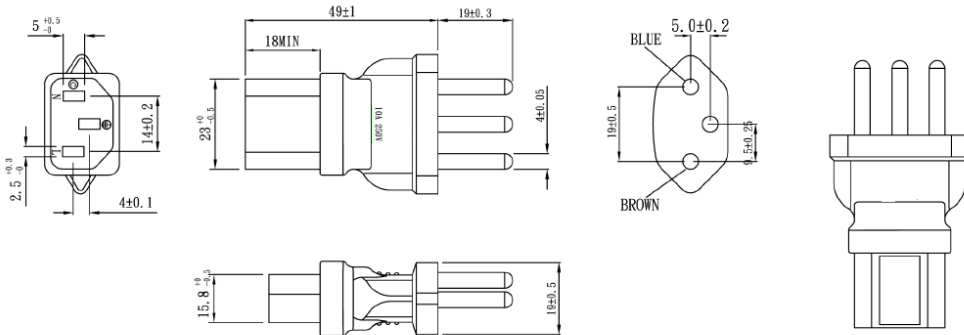
REV	DESCRIPTION	SUB	DATE	APPROVED
A	INITIAL RELEASE	DR	07/03/2019	QA

- AGENCY ONLINE DOCUMENTS <http://en.globtek.com/cordsets/>
- RoHS/RoHS3 Declaration https://www.globtek.com/pdf/rohs_cert/01t30000002gyM9AAI
- REACH Declaration https://www.globtek.com/pdf/iso_certificates/REACH.pdf
- Conflict Minerals Declaration <https://www.globtek.com/pdf/conflict-minerals.pdf>
- Prop 65 Statement <https://en.globtek.com/prop-65-statement.pdf>

IPXY rating is based on 3rd party testing and customers should check suitability and test system level IPXY rating before ordering.
 Plug Adapter Switzerland to C13

Note:

1. Rating: 10A 250V
2. Insulation Resistance: 100MΩ
3. Dielectric Voltage: 2000V/sec



GlobTek, Inc. www.globtek.com 186 Veterans Drive, Northvale, NJ 07647 Tel. (201) 784-1000 Fax (201) 784-0111	Drawing Title: Connector, , Efficiency Level: , Case Color/Style: , , Input Rating: , Output Rating: W, 0.0V@0.0A, Output Configuration: mm, / Cond, , , Ferrite: , , GT Cord # , Pin Out: , Blades/Input Cord: , Approvals: UL; to , GT Cable #: / Conductors, mm	
	Model No. Connector	Part No./Ordering No. 2321-701(R)
		Rev A

PACKAGING

Packing Spec P/N:

Box Qty: 1

Gift Box Size (mm):

Gift Box Color: White

Master Carton Size (mm): TBD

Master Carton Cubic Volume (m³): 0.00

Master GW (Kg): kg

wt Ea. (Kg): kg

wt Ea. (Kg): kg

LABEL SPECS: ,

PACK SPEC: