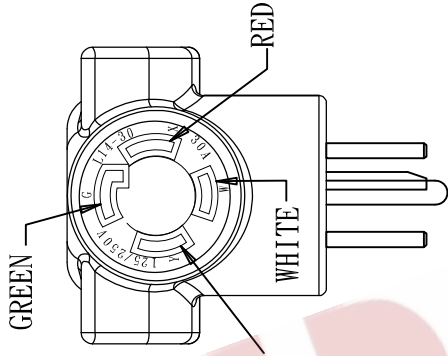
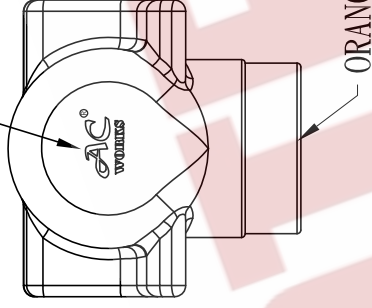


"AC WORKS" Logo & Black



**Note :**

1. Male and female terminals are nickel plated.
2. Packing : Each product is packaged in sealed bags.  
Use "#" glyphs to separate them and add paper board.

**CORDTEC POWER CORPORATION**  
**CONFIRMED**

2020.08.12  
Chen Tony

5	Inner frame	PP BLACK
4	Socket of terminal	Foryu: right cut terminal
3	Plug of terminal	GEM:97650ABL*2;97650BBL-1;98479BL-1
2	Body of PVC	45P ORANGE 021C
1	Inner of cord	10AWG BLACK;WHITE;GREEN
No.	Name	Specification

**Wiring diagram**

GREEN \_\_\_\_\_ GREEN (Plug) \_\_\_\_\_ GREEN (Socket)

WHITE \_\_\_\_\_ WHITE (Plug) \_\_\_\_\_ WHITE (Socket)

BLACK \_\_\_\_\_ BLACK (Plug) \_\_\_\_\_ BLACK (Socket)

RED \_\_\_\_\_ RED (Plug) \_\_\_\_\_ RED (Socket)



**AC Connectors of Cordtec Power Corp**  
Main: 1-414-434-2220 Fax: 1-414-323-8386  
Text: 1-414-323-3240  
Email: [Info@CordtecPower.com](mailto:Info@CordtecPower.com)  
Website: [CordtecPower.com/](http://CordtecPower.com/) [ACWORKS.com](http://ACWORKS.com)

TOLERANCE:		ITEM: AD1430L1430	
DWG NO. : 1 of 1		CUSTOMER: Cordtec Power	
UNIT	DATE	SCALE	REV
Inch.	2020.08.12		2.0
		DRAWN	CHECKED
		Alex	APPROVED