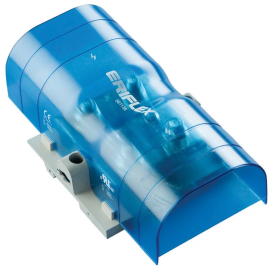


# SBLL-800 LUG-TO-LUG POWER TERMINAL



## CERTIFICATIONS



## FEATURES

- Tinned copper block allows for copper or aluminum conductor connections
- Accessible studs allow for easy connection of sections of nVent ERIFLEX Flexibar or other conductors
- Design allows for visual inspection of conductor and confirmation of connection
- Adjustable transparent cover
- Modular snap-together blocks for building multi-pole power blocks
- Easily clips onto DIN rail or mounts to panel with screws
- SBLEC Power Terminals Fixing Accessory required for direct panel mount
- RoHS compliant
- Halogen free

## SPECIFICATIONS

| Catalog Number                        | SBLL-800                |
|---------------------------------------|-------------------------|
| Article Number                        | 561136                  |
| Material                              | Copper<br>Thermoplastic |
| Finish                                | Tinned                  |
| Max Current Rating, IEC               | 1250 A                  |
| Max Current Rating, UL/CSA            | 800 A                   |
| Short Term Withstand Current (Icw) 1s | 57.6 kA                 |
| Peak Short Circuit Current (Ipk)      | 75 kA                   |

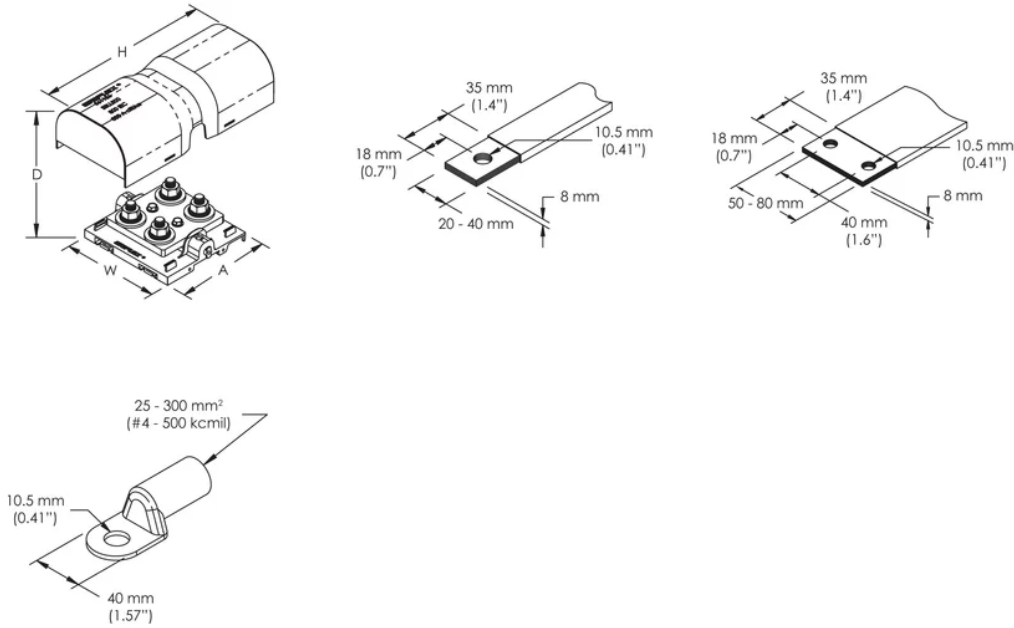
| Catalog Number                             | SBL-800                          |
|--|----------------------------------|
| Short Circuit Current Rating (SCCR)        | 100 kA                           |
| Max Working Voltage, IEC (Ui)              | 1000<br>1500                     |
| Max Working Voltage, UL (Vin)              | 1000                             |
| Number of Stud Connections                 | 4                                |
| Stud Connection Conductor Width            | (2) 20 – 40 mm<br>(1) 50 – 80 mm |
| Stud Connection Wire Size                  | (2) #4 - 500 kcmil               |
| Stud Connection Compact Stranded Wire Size | (2) 25 – 300 mm <sup>2</sup>     |
| Depth (D)                                  | 2.95"                            |
| Width (W)                                  | 4.53"                            |
| Height (H)                                 | 8.1"                             |
| A  | 4 1/4"                           |
| Unit Weight                                | 1.54 lb                          |
| Flammability Rating                        | UL® 94V-1                        |
| Certification Details                      | UL® 1059                         |
| Complies With                              | IEC® 60947-7-1                   |

## ADDITIONAL PRODUCT DETAILS

Power terminal connections are interchangeable and can be used as line side or load side connections.

| Design Guideline for Distribution Blocks, Power Blocks and Power Terminals               |     |     |      |      |      |      |      |      |      |      |
|--|-----|-----|------|------|------|------|------|------|------|------|
| Derating according to Ambient* Temperature (°F) to maintain working temperature of 185°F |     |     |      |      |      |      |      |      |      |      |
| Ambient Temperature (°F)   | 86° | 95° | 104° | 113° | 122° | 131° | 140° | 149° | 158° | 167° |
| Derating Coefficient (d)   | 1   | 1   | 1    | 0.94 | 0.88 | 0.82 | 0.75 | 0.67 | 0.58 | 0.47 |
| *environment around the terminal blocks inside the enclosure                             |     |     |      |      |      |      |      |      |      |      |

## DIAGRAMS



## WARNING

nVent products shall be installed and used only as indicated in nVent's product instruction sheets and training materials. Instruction sheets are available at [www.nvent.com](http://www.nvent.com) and from your nVent customer service representative. Improper installation, misuse, misapplication or other failure to completely follow nVent's instructions and warnings may cause product malfunction, property damage, serious bodily injury and death and/or void your warranty.

### North America

+1.800.753.9221  
Option 1 – Customer Care  
Option 2 – Technical Support

### Europe

Netherlands:  
+31 800-0200135  
France:  
+33 800 901 793

### Europe

Germany:  
800 1890272  
Other Countries:  
+31 13 5835404

### APAC

Shanghai:  
+ 86 21 2412 1618/19  
Sydney:  
+61 2 9751 8500



Our powerful portfolio of brands:  
**nVent.com** CADDY ERICO HOFFMAN RAYCHEM SCHROFF  
TRACER