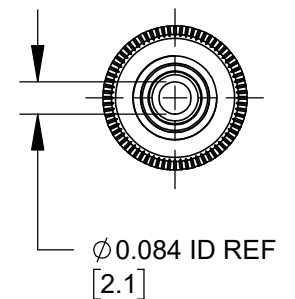
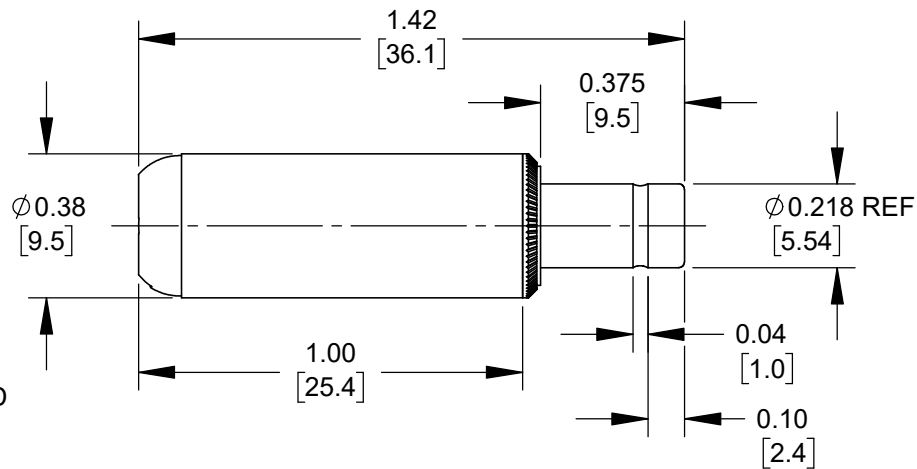
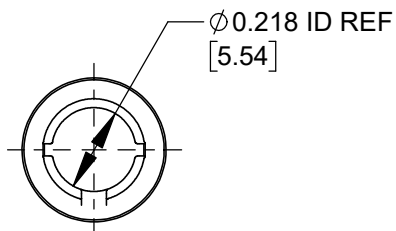


PART NUMBER	HANDLE COLOR
762Z	BLACK
763Z	RED



NOTES:

1. MATERIALS:
 CONDUCTORS - COPPER ALLOY, NICKEL PLATED
 TERMINALS - COPPER ALLOY, TIN PLATED
 INSULATORS & HANDLE - THERMOPLASTIC

2. THIS PRODUCT IS RoHS COMPLIANT.

CUSTOMER DRAWING

					THIS DRAWING DESCRIBES A DESIGN CONSIDERED PROPRIETARY IN NATURE, DEVELOPED AND MANUFACTURED BY SWITCHCRAFT INC. AND IS RELEASED ON A CONFIDENTIAL BASIS FOR IDENTIFICATION PURPOSES ONLY.					
					SIZE *	WIDTH *	MULT *	LBS/M *	TEMPER *	
					FINISH *			MATERIAL *		
					SPEC No. *			SPEC No. *		
					FIRST USED ON *		SCALE 2:1			
A	28644	02/14/24	PC	TJK	DATE DRAWN	BY	CHKD	APVD	Switchcraft®	
REV	ECO NUMBER	DATE	BY	APVD	10/23/19	AM	03/06/24	03/06/24		
REVISIONS					DO NOT SCALE DRAWING					PART No. 762Z-763Z
					NAME \varnothing 0.084 [2.1]mm x 0.375 LONG IMPROVED POWER PLUG, RoHS					
										REV A

