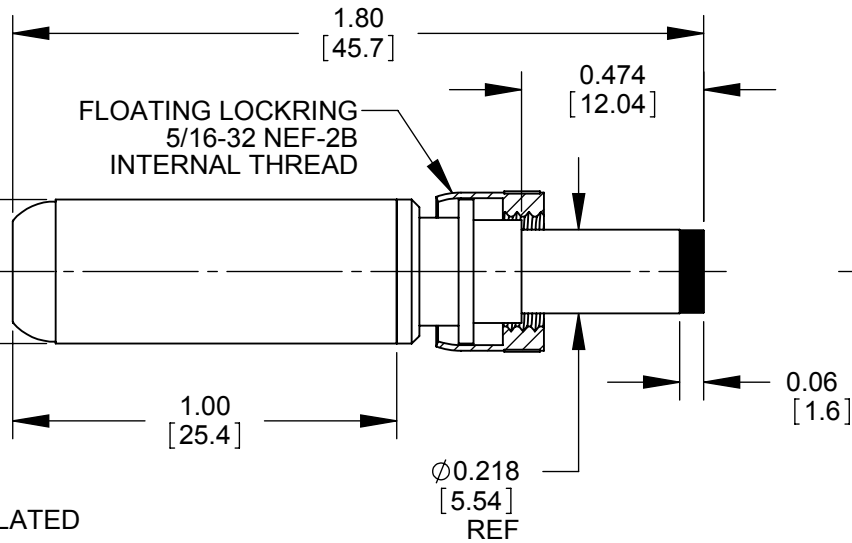
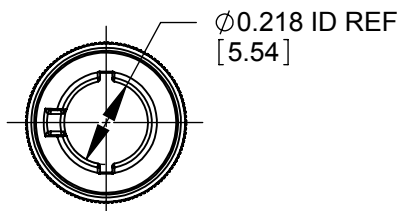


PART NUMBER	HANDLE COLOR
761KH	BLACK
766KH	RED



NOTES:

- MATERIALS:
 CONDUCTORS, LOCKRING - BRASS, NICKEL PLATED
 TERMINALS - BRASS, TIN PLATED
 INSULATORS, HANDLE - THERMOPLASTIC
- THIS PRODUCT IS RoHS COMPLIANT

CUSTOMER DRAWING

THIS DRAWING DESCRIBES A DESIGN CONSIDERED PROPRIETARY IN NATURE, DEVELOPED AND MANUFACTURED BY SWITCHCRAFT INC. AND IS RELEASED ON A CONFIDENTIAL BASIS FOR IDENTIFICATION PURPOSES ONLY.

					UNLESS OTHERWISE SPECIFIED					SIZE	WIDTH	MULT	LBS/M	TEMPER			
					1. ALL DIMENSIONS IN INCHES [mm] - TWO PLACE DECIMALS ±0.02 [0.5] - THREE PLACE DECIMALS ±0.005 [0.13]					FINISH			MATERIAL				
										SPEC No.		SPEC No.					
										FIRST USED ON		SCALE 2:1					
A	27941	09/06/17	PC	TJK						DATE DRAWN	BY	CHKD	APVD				
REV	ECO NUMBER	DATE	BY	APVD						6/27/16	PNK	PNK	SRC				
REVISIONS					DO NOT SCALE DRAWING					NAME Ø0.10 [2.5]mm x 0.474 LONG HT POWER PLUG W/LOCKRING, RoHS					PART No. 761KH-766KH		REV A

