

GlobTek, Inc. www.globtek.com 186 Veterans Drive, Northvale, NJ 07647 Tel. (201) 784-1000 Fax (201) 784-0111	Drawing Title: Connector, , Efficiency Level: , Case Color/Style: GlobTek Black, , , Input Rating: , , Output Rating: W, 0.0V@0.0A, Output Configuration: mm, / Cond, , Ferrite: , , GT Cord # , Pin Out: , Blades/Input Cord: , Approvals: to , GT Cable #: / Condu	
	Model No. Connector	
	Part No./Ordering No. 451-02180162(R)	Rev A

In Addition to GlobTek Inc.'s renewed ISO9001:2008 - Quality Management System Certification, GlobTek Inc. is now certified to:

ISO13485:2003 - Medical Devices Quality Management System Certification
ISO14001:2004 - Environmental Management System Certification

ISO Certificates are available online at <http://www.globtek.com/iso-certificates/>

The acceptance of this specification and use of the product described in this document indicates the acceptance and binding of the customer to Globtek TERMS AND CONDITIONS (attached to the end of this document), which supersede all other agreements, terms, and conditions (<http://www.globtek.com/terms-and-conditions/>).

Prop 65 Statement:<https://www.globtek.com/prop-65-statement.pdf>

Footnote:

GlobTek Inc. will not be liable for the safety and performance of these power supplies if unauthorized access and repair occurs. End user should consult applicable UL, CSA or EN standards for proper installation instruction.

Limitation of Use:

GlobTek products are intended for use with commercial, medical, and/or industrial equipment only. GlobTek product are not authorized for use as mission critical components in life support hazardous environment, nuclear or aircraft applications without prior written approval from the CEO of GlobTek Inc.

Contents of this document are subject to change without prior notice.

Customer Approval of Specification:

Please approve, sign and send back to GlobTek so we can complete order processing.
A delay in receipt of this form will delay delivery schedule.

Company Name: _____	Customer P/N: _____
Quote Number: _____	Date: _____
Authorized Representative Name: _____	Authorized Representative Signature: _____

GlobTek, Inc.
 www.globtek.com
 186 Veterans Drive,
 Northvale, NJ 07647
 Tel. (201) 784-1000
 Fax (201) 784-0111

Drawing Title: Connector, , Efficiency Level: , Case Color/Style: GlobTek Black, , , Input Rating: , , Output Rating: W, 0.0V@0.0A, Output Configuration: mm, /
 Cond, , Ferrite: , GT Cord # , Pin Out: , Blades/Input Cord: , Approvals: to , GT Cable #: / Condu

Model No. [Connector](#)

Part No./Ordering No. [451-02180162\(R\)](#)

Rev A

REVISION HISTORY

REV	DESCRIPTION	SUB	DATE	APPROVED
A	Initial release	QA	08/04/2023	QA

AGENCY ONLINE DOCUMENTS

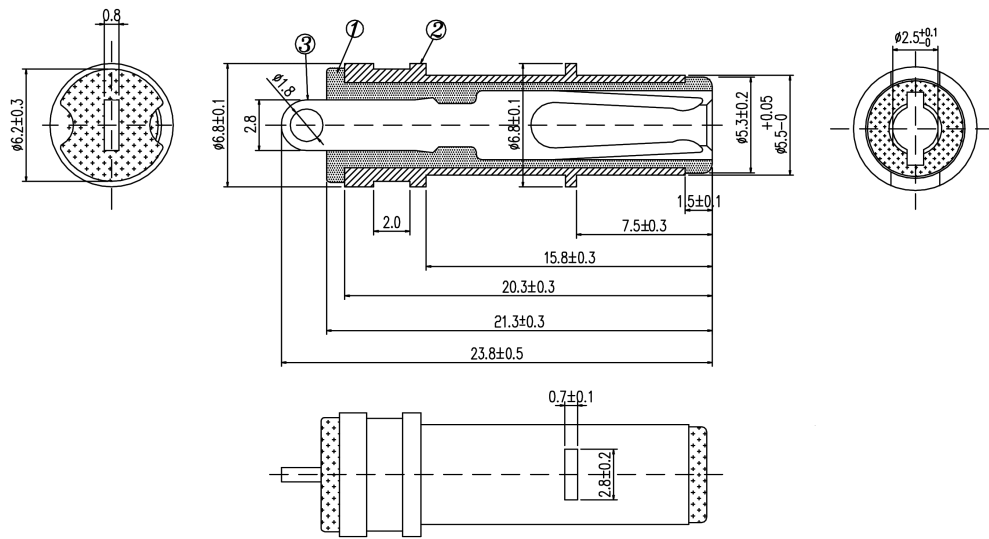
RoHS/RoHS3 Declaration https://www.globtek.com/pdf/rohs_cert/01t0c000008pKhxAEE

REACH Declaration https://www.globtek.com/pdf/iso_certificates/REACH.pdf

Conflict Minerals Declaration <https://www.globtek.com/pdf/conflict-minerals.pdf>

Prop 65 Statement <https://en.globtek.com/prop-65-statement.pdf>

IPXY rating is based on 3rd party testing and customers should check suitability and test system level IPXY rating before ordering.



	MATERIAL	PLATING
Plastic	PBT	
Metal case	Phosphor bronze/brass	Nickel plating above 2UM
Center contact	Phosphor bronze/brass	Nickel plating above 2UM

SPECIFICATIONS

parameter	conditions/description	min	typ	max	units
rated input voltage			12		Vdc
rated input current				3	A
contact resistance				30	mΩ
insulation resistance	at 500Vdc	1000			MΩ
voltage withstand	at 50/60Hz for 1 minute 500 Vac			500	Vac
operating temperature	at 85% RH max	-30		180	°C

GlobTek, Inc. www.globtek.com 186 Veterans Drive, Northvale, NJ 07647 Tel. (201) 784-1000 Fax (201) 784-0111	Drawing Title: Connector, , Efficiency Level: , Case Color/Style: GlobTek Black, , , Input Rating: , , Output Rating: W, 0.0V@0.0A, Output Configuration: mm, / Cond, , Ferrite: , , GT Cord # , Pin Out: , Blades/Input Cord: , Approvals: to , GT Cable # / Condu	
	Model No. Connector	
Part No./Ordering No. 451-02180162(R)		Rev A

PACKAGING

Packing Spec P/N:

Box Qty: 1

Gift Box Size (mm):

Gift Box Color: White

Master Carton Size (mm): TBD

Master Carton Cubic Volume (m³): 0.00

Master GW (Kg): kg

wt Ea. (Kg): kg

wt Ea. (Kg): kg

LABEL SPECS: Standard GT,L-1186

PACK SPEC: