



REED SWITCH DEVELOPMENTS CORP.

2524 Norwood Court

Racine, WI 53403

Ph: (262)883-9060

sales@reedswitchdevelopments.com

SPECIFICATION SHEET

2010-1051-100

Alternate Part Numbers:

AM2010-1051-10-01

3730-2010-1051-100-ND

Active / Equivalent Part Numbers:

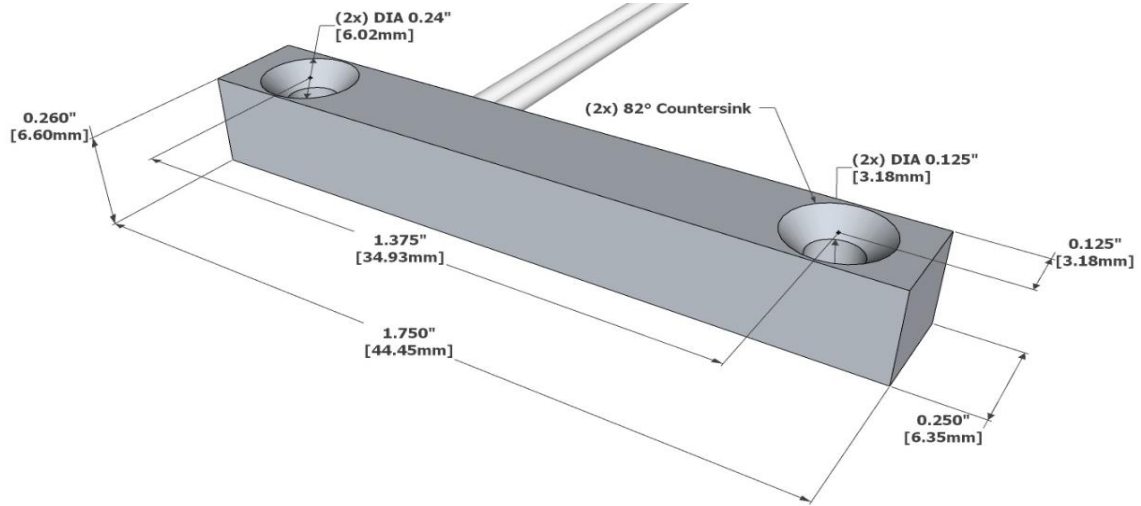
2010-1051-100 - Magnetic Reed Sensor Only

AM2010-1051-10-01 - Magnetic Reed Sensor Only

3730-2010-1051-100-ND - Magnetic Reed Sensor Only

Sensor (Reed) - Specifications		1051
Physical	Configuration	SPST
	Form	A
	Contact Position	CENTER
	Glass L	14.50 mm
	Glass D	2.54 mm
	Total L*	46.00 mm
	Wire D	0.60 mm
	Gap Location	CENTER
	Mount Spec*	THRU
	Contact Material	RUTHENIUM
	Max Vibration Resistance	10 G
	Max Shock Resistance (11ms)	150 G
	Lead Tensile Strength	N/A KG
Operating	Pull in (+/- 2AT)*	15 - 23 AT
	Drop out*	7.5-17.5 AT
	Operate Time	0.10 ms
	Bounce Time	0.15 ms
	Release Time	30 µs
	Resonant Frequency	5100 Hz
	Max Operating Frequency	N/A Hz
	Operating Temperature Range	-55 - 105 °C
	Storage Temperature	N/A °C
	Electrical	DC Contact Rating
AC Contact Rating		N/A VA
DC Switching Voltage		200 VDC
AC Switching Voltage		140 VAC
DC Switching Current		1.00 A
AC Switching Current		1.00 A
DC Max Carry Current		1.75 A
AC Max Carry Current		1.75 A
Min Breakdown Voltage		275 VDC
Max Initial Contact Resistance		100 mOhm
Typical Initial Contact Resistance		70 mOhm
Max Contact Capacitance		0.30 pF
Min Insulation Resistance		10 ⁶ Ohm

* Pre-processed, bare reed element



All measurements are in Inches [millimeters]

Sensor - Wire/Cable Characteristics (cont.)

Type	Wire
Conductor Count	2
Length	6.0"/152.4mm
Colors	BLK
Insulation Material	PVC
Gauge	24 AWG
Stranded Copper	7 STR-TC
Maximum Temp	105°C

Housing Characteristics 2010

Rectangular w/ Mounting Holes	
Length	1.750"/44.45mm
Width	0.250"/6.35mm
Height	0.260"/6.60mm
Material	Celanex 3316

Standard Sensor/Actuator - Min. Actuation Distance

2010-4002-000	0.44"/11.2mm
---------------	--------------

Assembly Certifications

UL Recognized (File #: E102207)	Y
RoHS / Reach Compliant	Y
Conflict Free Material	Y

REV DATE: 04/20/2023

DISCLAIMER NOTICE: INFORMATION FURNISHED IS PROPRIETARY, AND IS BELIEVED TO BE ACCURATE AND RELIABLE, AND IS SUBJECT TO CHANGE WITHOUT NOTICE. IT SHALL BE THE RESPONSIBILITY OF THE BUYER TO ENSURE THAT THE GOODS ARE SUFFICIENT AND SUITABLE FOR THE PURPOSE OR PURPOSES INTENDED (WHETHER BY THE BUYER OR BY ANY THIRD PARTY) AND THAT THEIR CAPACITY AND PERFORMANCE IS NOT ADVERSELY AFFECTED BY ANY ITEMS USED IN THEIR INSTALLATION (WHERE RELEVANT) AND/OR IN CONNECTION WITH THEM.

WBE Certified - State of Wisconsin - MFR CAGE CODE: 32604

www.reedswitchdevelopments.com