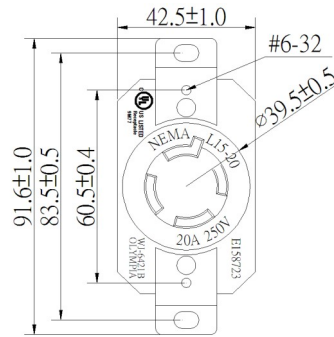


NEMA L15-20 Locking Receptacle

Technical Datasheet



| Product Specifications | |
|-------------------------|--------------------------------------------------|
| Product Item | Single Receptacle Locking Type |
| Rating | 3 Pole, 4Wire Grounding 20A 250V AC |
| NEMA Configuration | L15-20R |
| Color | Black |
| Contact Material | All contact are brass, 0.050"(1.3m/m) thick. |
| Terminal Screw Material | #10 solid brass |
| Ground Screw Material | #10 solid brass (Green) |
| Cover (Top) Material | P.B.T. (Poly Butylene Terephthalate Resin) 94V-0 |
| Base Material | P.B.T. (Poly Butylene Terephthalate Resin) 94V-0 |
| Listings | UL/cUL E158723 |