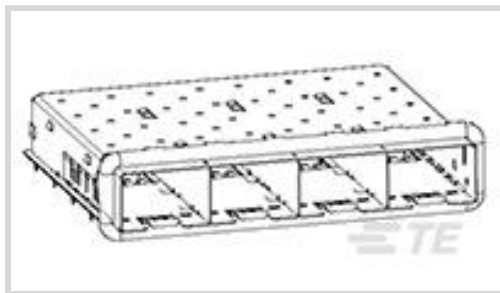




Connectors > Pluggable IO Connectors & Cages > zSFP+ Cage Assembly: Elastomeric Gasket



Pluggable I/O Product Type: **Cage Assembly**

Sealable: **Yes**

Circuit Application: **Signal**

Operating Temperature Range: **-55 – 105 °C [-67 – 221 °F]**

Data Rate (Max): **28 Gb/s**

[All zSFP+ Cage Assembly: Elastomeric Gasket \(8\)](#)

## Features

### Product Type Features

Cage Type	Ganged
Pluggable I/O Product Type	Cage Assembly
Sealable	Yes
Form Factor	zSFP+

### Configuration Features

Number of Ports	4
Port Matrix Configuration	1 x 4

### Electrical Characteristics

Data Rate (Max)	28 Gb/s
-----------------	---------

### Termination Features

Termination Post & Tail Length	2.05 mm[.081 in]
Termination Method to Printed Circuit Board	Through Hole - Press-Fit

### Housing Features

Cage Material	Nickel Silver Alloy
---------------	---------------------

### Dimensions

PCB Thickness (Recommended)	3 mm[.118 in]
-----------------------------	---------------

### Usage Conditions

--	--



Operating Temperature Range	-55 – 105 °C[-67 – 221 °F]
-----------------------------	----------------------------

### Operation/Application

Pluggable I/O Applications	EMI Enhanced
Heat Sink Compatible	No
Circuit Application	Signal

### Packaging Features

Packaging Method	Tray
------------------	------

### Other

Included Lightpipe	No
EMI Containment Feature Type	Elastomeric Gasket

## Product Compliance

[For compliance documentation, visit the product page on TE.com>](#)

EU RoHS Directive 2011/65/EU	Compliant
EU ELV Directive 2000/53/EC	Compliant
China RoHS 2 Directive MIIT Order No 32, 2016	No Restricted Materials Above Threshold
EU REACH Regulation (EC) No. 1907/2006	Current ECHA Candidate List: JAN 2024 (240) Candidate List Declared Against: JUNE 2022 (224) Does not contain REACH SVHC
Halogen Content	Not Low Halogen - contains Br or Cl > 900 ppm.
Solder Process Capability	Not applicable for solder process capability

#### Product Compliance Disclaimer

This information is provided based on reasonable inquiry of our suppliers and represents our current actual knowledge based on the information they provided. This information is subject to change. The part numbers that TE has identified as EU RoHS compliant have a maximum concentration of 0.1% by weight in homogenous materials for lead, hexavalent chromium, mercury, PBB, PBDE, DBP, BBP, DEHP, DIBP, and 0.01% for cadmium, or qualify for an exemption to these limits as defined in the Annexes of Directive 2011/65/EU (RoHS2). Finished electrical and electronic equipment products will be CE marked as required by Directive 2011/65/EU. Components may not be CE marked. Additionally, the part numbers that TE has identified as EU ELV compliant have a maximum concentration of 0.1% by weight in homogenous materials for lead, hexavalent chromium, and mercury, and 0.01% for cadmium, or qualify for an exemption to these limits as defined in the Annexes of Directive 2000/53/EC (ELV). Regarding the REACH Regulation, the information TE provides on SVHC in articles for this part number is based on the latest European Chemicals Agency (ECHA) 'Guidance on requirements for substances in articles' posted at this URL: <https://echa.europa.eu/guidance-documents/guidance-on-reach>

## Compatible Parts




TE Part # CAT-C11-N490333  
 QSFP28-Four SFP+ Cable Assembly:  
 30 AWG



TE Part # CAT-C11-N490325  
 QSFP28-Four SFP+ Cable Assembly:  
 26 AWG



TE Part # 2334985-2  
 SFP28 DIRECT ATTACH CA, 1M,  
 32AWG



TE Part # CAT-C11-N4901114  
 SFP28 to SFP28 Cable Assembly: 30  
 AWG



TE Part # CAT-C11-N49011  
 SFP28 to SFP28 Cable Assembly: 26  
 AWG



TE Part # CAT-Q17-N49011  
 QSFP56-Four SFP56 Cable Assembly:  
 30 AWG



TE Part # CAT-Q17-N490333  
 QSFP56-Four SFP56 Cable Assembly:  
 26 AWG



TE Part # 4-2821224-5  
 SFP56 DIRECT ATTACH CA, 3M,  
 26AWG



TE Part # 4-2334985-2  
 SFP56 DIRECT ATTACH CA, 1M,  
 32AWG



TE Part # CAT-C11-N490111  
 SFP28 to SFP28 Cable Assembly: 28  
 AWG



TE Part # 4-2821222-5  
 SFP56 DIRECT ATTACH CA, 2M,  
 30AWG

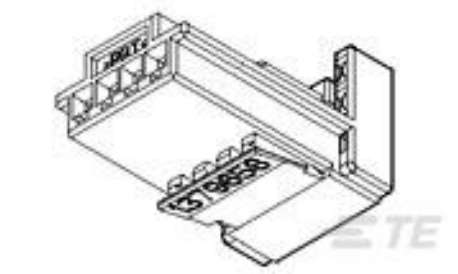


TE Part # 2215061-4  
 ASSY, SEATING TL, ZSFP+ 1 X 4

### Customers Also Bought



TE Part #HDP24-24-21SE-L015  
 REC, 21P, BLK, E, THD, 12/16, S



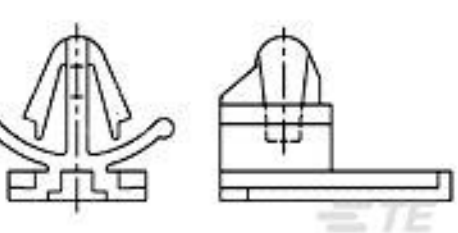
TE Part #1379658-1  
 4W RCPT HSG CODING 1 BLAC



TE Part #1-1718646-1  
 6POS, MCON 1.2 LL REC SEALED



TE Part #154717-6  
 PL 250 REC TERMINAL 14-11 AWG  
 PTPB



TE Part #368165-1  
 CLIP HSG FOR 070/EJ MK-II(+)



TE Part #CV15566001  
 QSZH-125-NR4-100MM



TE Part #1318329-1  
 .025 SEALED REC CONT



TE Part #2297819-1  
 SINGLE WIRE SEAL,HPF 1.2,RUBBER



## Documents

### Product Drawings

[CAGEASSY,PRESSFIT,1X4,zSFP+](#)

English

### CAD Files

[3D PDF](#)

3D

[Customer View Model](#)

[ENG\\_CVM\\_CVM\\_2198722-1\\_B.2d\\_dxf.zip](#)

English

[Customer View Model](#)

[ENG\\_CVM\\_CVM\\_2198722-1\\_B.3d\\_igs.zip](#)

English

[Customer View Model](#)

[ENG\\_CVM\\_CVM\\_2198722-1\\_B.3d\\_stp.zip](#)

English

By downloading the CAD file I accept and agree to the [Terms and Conditions](#) of use.

### Datasheets & Catalog Pages

[zSFP+ Interconnect Brochure](#)

English

### Product Specifications

[Product Specification](#)

English

### Instruction Sheets

[Instruction Sheet \(U.S.\)](#)

English

[Instruction Sheet \(U.S.\)](#)

English