



Mini-SAS

TE Internal #: 1888019-2

Mini-SAS, Receptacle, Cable-to-Board, 36 Position, 2 Row, 1 Port, Right Angle, Surface Mount, .031 in [.8 mm] Centerline, Signal, Mini-SAS

[View on TE.com >](#)

Connectors > PCB Connectors > SAS & MiniSAS > Mini-SAS Shielded Receptacle Assemblies



SAS Connector Type: **Mini-SAS**

Connector & Housing Type: **Receptacle**

Connector System: **Cable-to-Board**

Number of Positions: **36**

Number of Rows: **2**

[All Mini-SAS Shielded Receptacle Assemblies \(19\)](#)

Features

Product Type Features

Shell	With
Connector & Contact Terminates To	Printed Circuit Board
SAS Connector Type	Mini-SAS
Connector & Housing Type	Receptacle
Connector System	Cable-to-Board

Configuration Features

Keying Type	2
Number of Positions	36
Number of Rows	2
Number of Ports	1
PCB Mount Orientation	Right Angle

Contact Features

--	--



	30 µin
Contact Mating Area Plating Material	Gold
Contact Base Material	Phosphor Bronze
Contact Current Rating (Max)	.5 A

Termination Features

Termination Post & Tail Length	2 mm[.079 in]
Termination Method to Printed Circuit Board	Surface Mount

Mechanical Attachment

PCB Mount Retention	Without
Connector Mounting Type	Board Mount

Housing Features

Centerline (Pitch)	.8 mm[.031 in]
--------------------	----------------

Usage Conditions

High Temperature Housing	Yes
Operating Temperature Range	-55 - 105 °C[-67 - 221 °F]

Operation/Application

Circuit Application	Signal
---------------------	--------

Packaging Features

Packaging Quantity	375
Packaging Method	Box, Reel

Product Compliance

[For compliance documentation, visit the product page on TE.com>](#)

EU RoHS Directive 2011/65/EU	Compliant
EU ELV Directive 2000/53/EC	Compliant
China RoHS 2 Directive MIIT Order No 32, 2016	No Restricted Materials Above Threshold
EU REACH Regulation (EC) No. 1907/2006	Current ECHA Candidate List: JAN 2024 (240) Candidate List Declared Against: JAN 2021 (211) Does not contain REACH SVHC
Halogen Content	Not Low Halogen - contains Br or Cl > 900 ppm.
Solder Process Capability	Reflow solder capable to 260°C

Product Compliance Disclaimer

This information is provided based on reasonable inquiry of our suppliers and represents our current actual knowledge based on the information they provided. This information is subject to change. The part numbers that TE has identified as EU RoHS compliant have a maximum concentration of 0.1% by weight in homogenous materials for lead, hexavalent chromium, mercury, PBB, PBDE, DBP, BBP, DEHP, DIBP, and 0.01% for cadmium, or qualify for an exemption to these limits as defined in the Annexes of Directive 2011/65/EU (RoHS2). Finished electrical and electronic equipment products will be CE marked as required by Directive 2011/65/EU. Components may not be CE marked. Additionally, the part numbers that TE has identified as EU ELV compliant have a maximum concentration of 0.1% by weight in homogenous materials for lead, hexavalent chromium, and mercury, and 0.01% for cadmium, or qualify for an exemption to these limits as defined in the Annexes of Directive 2000/53/EC (ELV). Regarding the REACH Regulation, the information TE provides on SVHC in articles for this part number is based on the latest European Chemicals Agency (ECHA) 'Guidance on requirements for substances in articles' posted at this URL: <https://echa.europa.eu/guidance-documents/guidance-on-reach>

Compatible Parts



TE Part # 1888863-4
Shld Vert Rec Conn Assm36PosSF

Also in the Series | Mini-SAS



SAS & MiniSAS(30)

Customers Also Bought



TE Part # 206070-8
CABLE CLAMP KIT #17



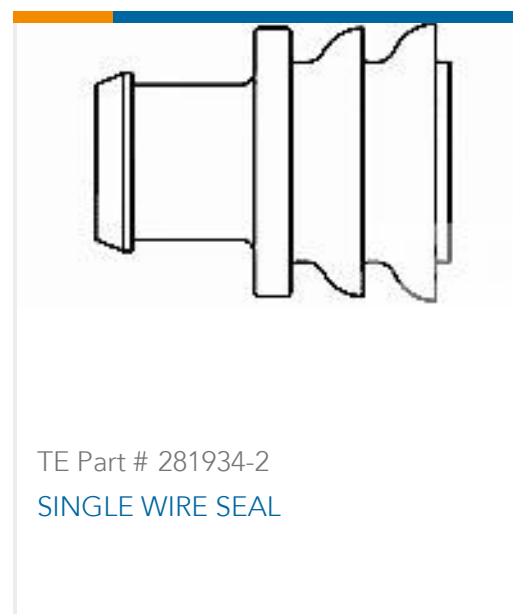
TE Part # DT04-2P
REC, 2P, GRY, N



TE Part # DT06-2S
PLG, 2P, GRY, N



TE Part # W2S
Wedgelocks: DEUTSCH DT



Documents

Product Drawings

[recept conn assy ra 36 pos shi](#)

English

CAD Files

Customer View Model

[ENG_CVM_CVM_1888019-2_A1.2d_dxf.zip](#)

English

[3D PDF](#)

3D

Customer View Model

[ENG_CVM_CVM_1888019-2_A1.3d_igs.zip](#)

English

Customer View Model

[ENG_CVM_CVM_1888019-2_A1.3d_stp.zip](#)

English

By downloading the CAD file I accept and agree to the [Terms and Conditions](#) of use.

Datasheets & Catalog Pages

[EVERCLEAR Mini Multi-Lane High Speed Interconnects Datasheet 1773447-2](#)

English

Product Specifications

[Product Specification](#)

English