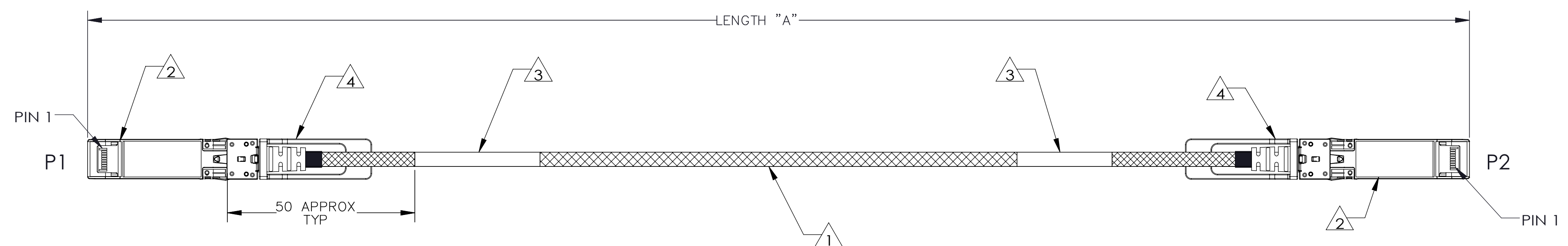
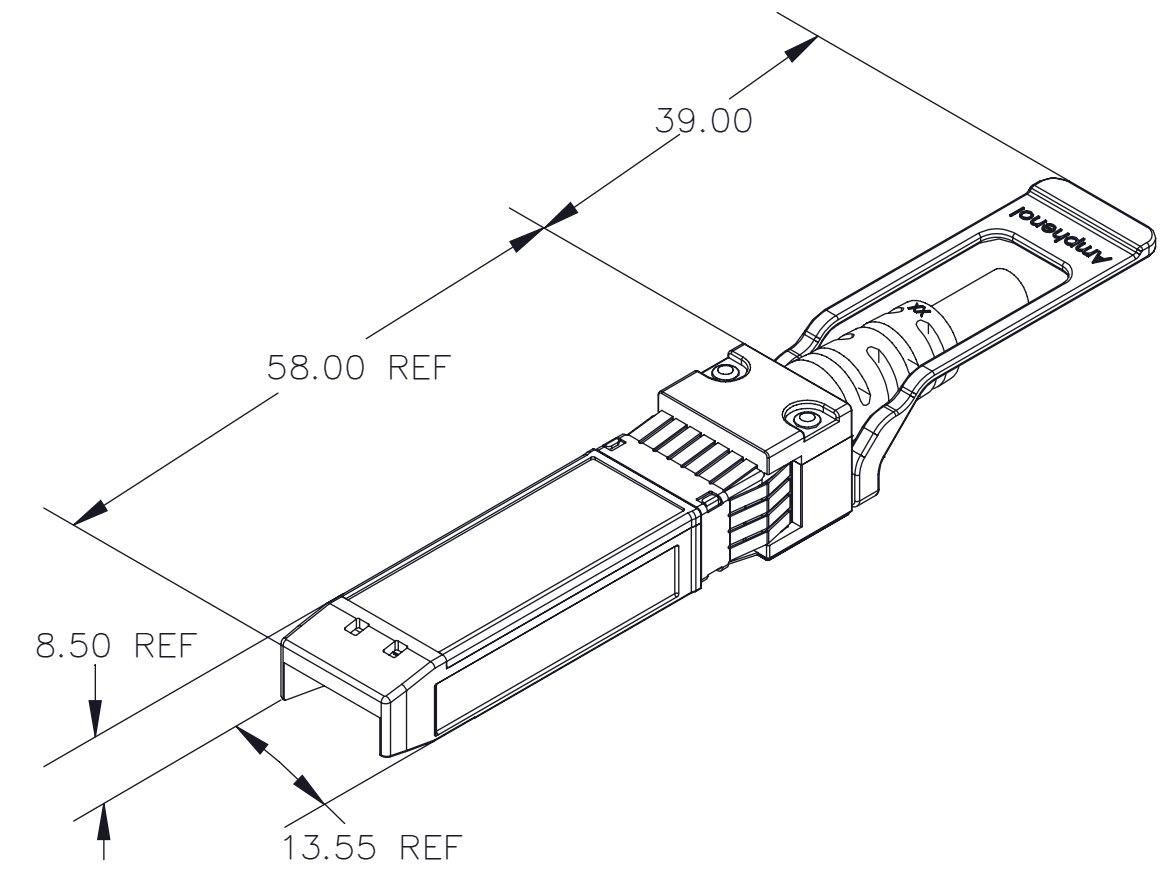
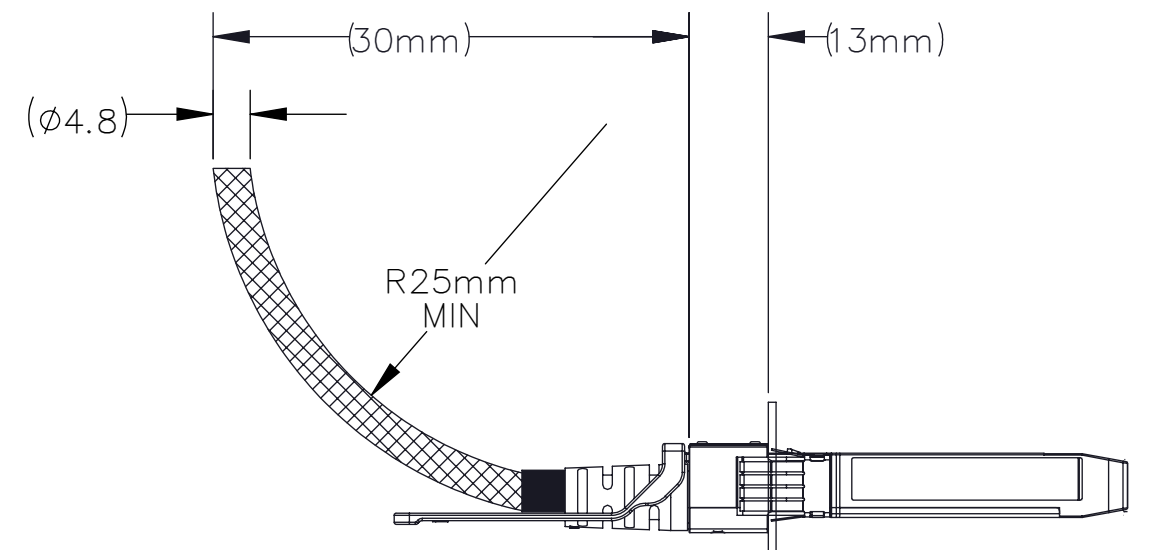
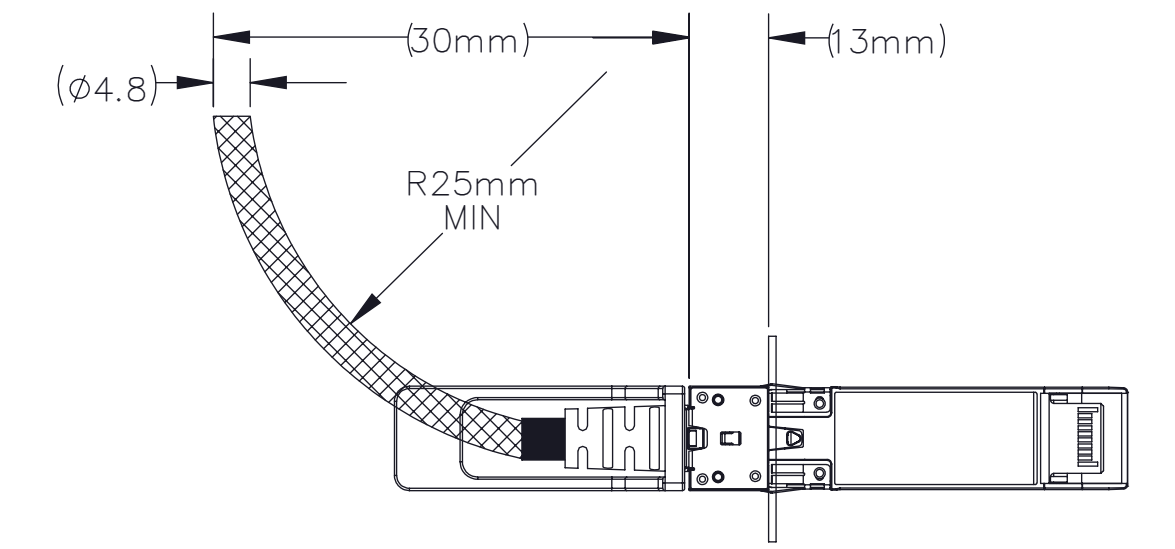
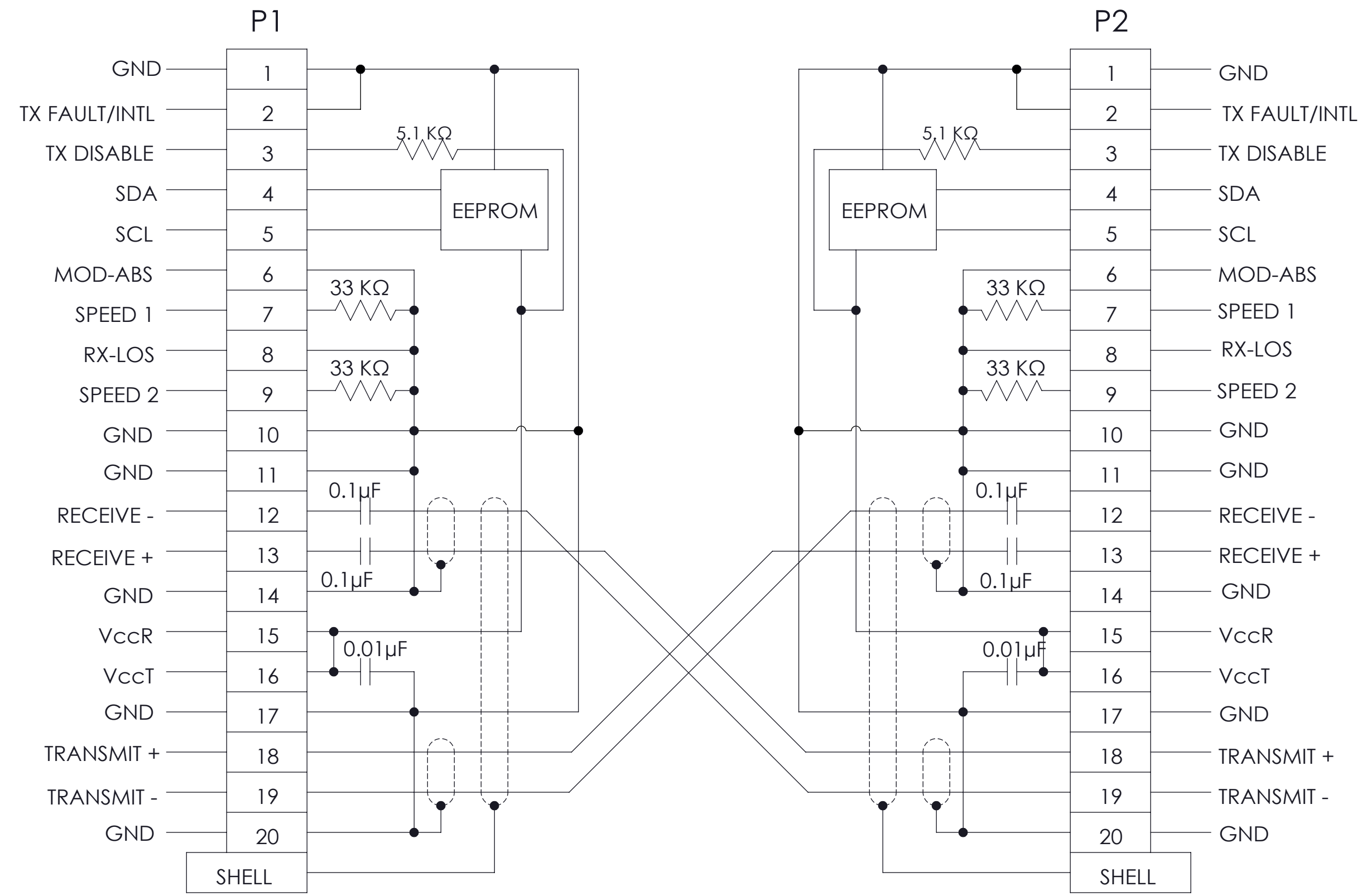


ZONE		REV.	ECN NUMBER	DESCRIPTION	BY	DATE	APPROVED
		1.0	JCHN-22022301	INITIAL RELEASE	N.ZENG	02/09/2022	HUSSAIN
		2.0	JCHN-22062001	UPDATED VIEW WITH SFP 112G.	D.DAI	06/21/2022	J.CHEN

AHSP P/N	LENGTH "A"
NJDDGN-0001	1000 mm ±25 mm
NJDDGN-0002	2000 mm ±50 mm
NJDDGN-0003	3000 mm ±75 mm
NJDDGN-0007	1500 mm ±30 mm
NJDDGN-0008	2500 mm ±50 mm

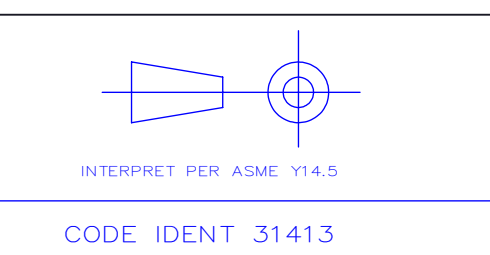
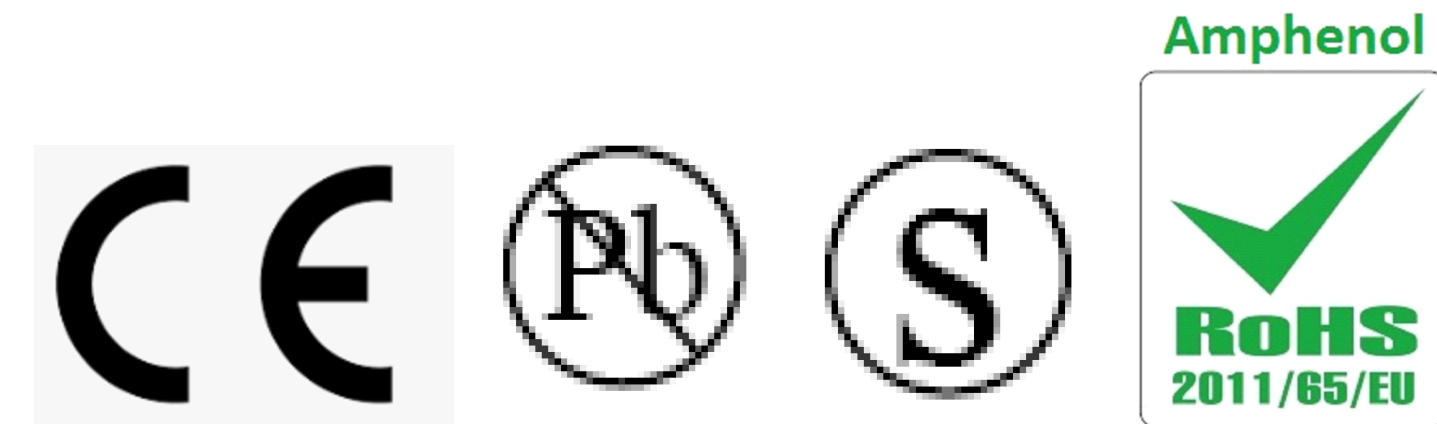


ITEM No.	DESCRIPTION
1	25 AWG, DUAL DRAIN, 2-PR.,(φ4.8) PROTECTIVE PLASTIC NET COVERING VW-1, BLACK
2	PLUG, SFP+, REFERENCE SFF-DD MSA, PULL TO RELEASE
3	LABEL, WRAPPED - AHSP P/N, REV, DATE CODE, LENGTH, CoO, & SERIAL NUMBER
4	LANYARD, BLUE



SFP+ DIECAST DIMENSIONS

- UL LABEL MUST BE ON SHIPPING CARTON PER SUBJECT 764 OF THE UL COMPONENT WIRING HARNESS (ZPFW2) FILE #E86140. CSA LABEL MUST BE ON SHIPPING CARTON.
  - PACKAGE COMPLETED ASSY IN AN APPROPRIATELY SIZED ESD BAG.
  - EEPROM CONTENT SHALL BE COMPLIANT WITH SFF-8472 SPECIFICATION. EEPROM REVISION IS EQUAL TO AHSP PART NUMBER REVISION UNLESS OTHERWISE NOTED.
  - CABLE ASSEMBLIES MUST MEET SHIELDING EFFECTIVENESS REQUIREMENTS OF 35dB MINIMUM FROM 1-10GHz AND 30dB FROM 10-18 GHz.
  - CABLE ASSEMBLIES, COMPONENTS AND SUB-COMPONENTS SHALL BE COMPLIANT TO EU DIRECTIVE 2011/65/EU-RoHS2.
  - ASSEMBLIES SHALL BE COMPLIANT TO SFF-DD MSA REV.5.0 SPECIFICATION.
  - THIS DRAWING IS RESERVED FOR AMPHENOL STANDARD PRODUCT.
- NOTES: UNLESS OTHERWISE SPECIFIED



TOLERANCES	DWG	DATE	BY	CHK	DATE	BY	CHK
0.0 ± 0.25		02/09/2022	NICOLE		02/09/2022	JINSHAN	
0.00 ± 0.08					02/09/2022	HUSSAIN	
0.000 ± -							
ANGLES ± 1.0°							

UNLESS OTHERWISE SPECIFIED DIMENSIONS ARE IN MM

CUSTOMER USE DRAWING		CODE IDENT 31413	
----------------------	--	------------------	--

TOLERANCES		DATE		BY		CHK	
0.0 ± 0.25		02/09/2022		NICOLE			
0.00 ± 0.08						02/09/2022	
0.000 ± -							
ANGLES ± 1.0°							

TITLE		DATE		BY		CHK	
CABLE ASSEMBLY, SFP 112G, PASSIVE, 25 AWG DUAL DRAIN, PET BRAIN		02/09/2022		HUSSAIN			

PART NO.	SEE TABLE 1	REV	N/A
DRAWING NO.	C-NJDDGN-0099	REV	2.0
SIZE	D	SCALE	1:1
SHEET 1		OF 1	