



# HIGH-DENSITY HIGH-SPEED I/O SYSTEM

**(0.635 mm) .025" PITCH • HDLSP SERIES**

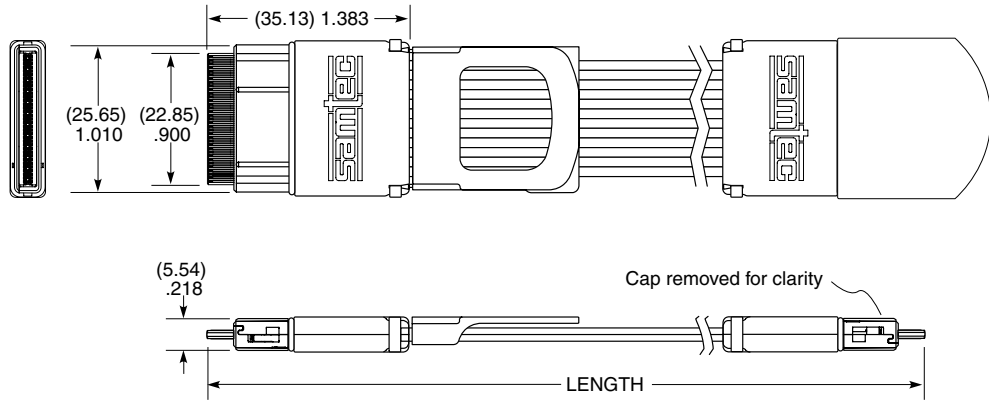
**HDLSP**  
**Mates:**  
 HD16

**SPECIFICATIONS**

**Cable:**  
 32 AWG low skew pair cable  
**Insulator Material:**  
 LCP  
**Terminal Material:**  
 Phosphor Bronze  
**Jacket Material:**  
 PVC  
**Insulator:**  
 Dielectric  
**Conductors:**  
 Copper  
**Braid:**  
 Tinned Copper  
**Covers:**  
 Diecast Zinc Alloy  
**Current Rating:**  
 1.5 A per pin  
 (4 adjacent pins powered)

SERIES	NO. OF POSITIONS	LENGTH	OPTION
--------	------------------	--------	--------

<b>HDLSP</b> = High-density Low Skew Pair Cable	<b>-035</b> (Per Row) = 12 Pairs per side	<b>-“XXXX”</b> = Length in millimeters -1000, -2000 (Standard lengths)	<b>-L</b> = Positive Latch
--	---	---	-------------------------------



**HDLSP-035-XXX-L SHOWN**  
 Some components not shown for clarity

**Note:**  
 Some lengths, styles and options are non-standard, non-returnable.

View complete specifications at: [samtec.com?HDLSP](http://samtec.com?HDLSP)