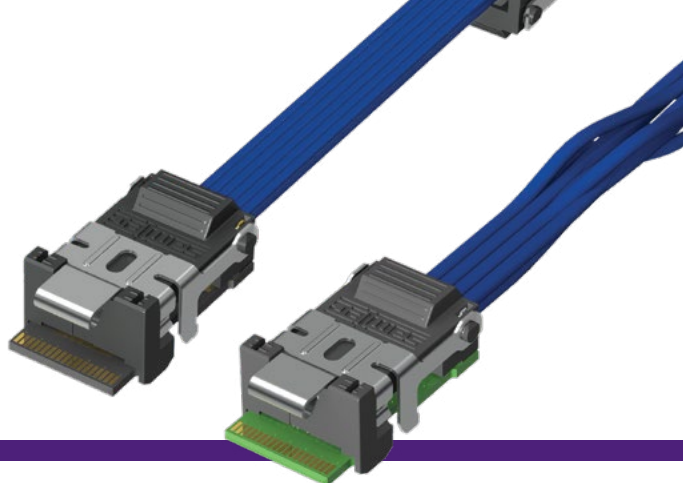




# COPPER MICRO FLYOVER SYSTEM™

28  
Gbps



## ECUE/PCUE SERIES

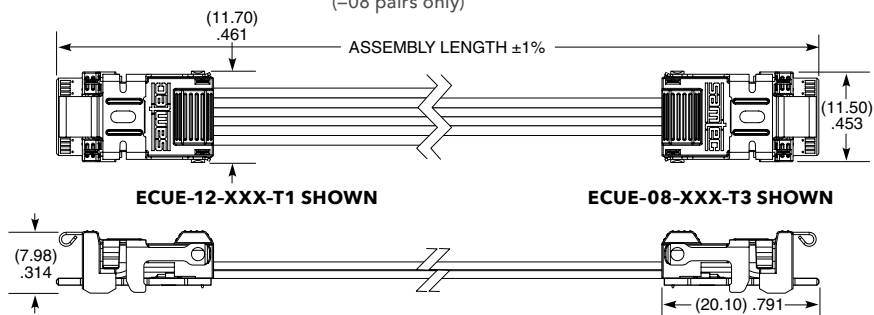
### ECUE

Mates:  
UEC5, UCC8

#### SPECIFICATIONS

**Cable:**  
36 AWG twinax cable  
34 AWG twinax cable  
34 AWG ultra low skew twinax cable  
**Signal Routing:**  
100 Ω Differential  
**Bend Radius:**  
(3.18 mm) .125"

SERIES	NO OF PAIRS	ASSEMBLY LENGTH	CABLE TYPE	END 2 OPTION	WIRING OPTION	DATA RATE	OPTION
<b>ECUE</b> = Rugged FireFly™ Cable Assembly	<b>-08</b> = Eight Pair (-T2 & -T3 cable only)	<b>-“XXX”</b> = Assembly Length in Centimeters (007 cm to 999 cm)	<b>-T1</b> = 36 AWG twinax (-12 pairs only)	<b>-FF</b> = FireFly™ (Mates with UEC5/UCC8)	<b>-01</b> = Pin A1 to Pin A19	<b>-1</b> = 14 Gbps (-T1 or -T2 only)	Leave blank for standard FireFly™
	<b>-12</b> = Twelve Pair (-T1 cable only)		<b>-T2</b> = 34 AWG twinax (-08 pairs only)		<b>-02</b> = Pin A1 to Pin B1	<b>-2</b> = 28 Gbps (-T3 only)	<b>-D1</b> = Decoupling Capacitors (only available with -02 & -B4 wire options)
			<b>-T3</b> = 34 AWG ultra low skew twinax (-08 pairs only)		<b>-B4</b> = Pin A1 to Pin B19 (-08 pair only)		



**Notes:**  
All FireFly™ designs, specifications and components are subject to change without notice.

Cable lengths longer than 150 cm (59.06") are not supported with S.I. test data.

View complete specifications at: [samtec.com?ECUE](http://samtec.com?ECUE)

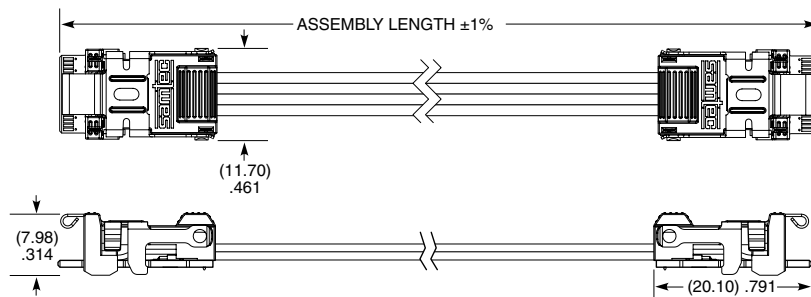
### PCUE

Mates:  
UEC5, UCC8

#### SPECIFICATIONS

**Cable:**  
34 AWG ultra low skew twinax  
**Signal Routing:**  
100 Ω  
**Bend Radius:**  
(3.18 mm) .125"

SERIES	DATA RATE	NO. OF CHANNELS	ASSEMBLY LENGTH	END 2
<b>PCUE</b> = PCIe®-over-FireFly™ Copper Cable Assembly	<b>-G4</b> = 4.0 Speed	<b>-04</b> = 8 pairs	<b>-“XXX”</b> = Assembly Length in Centimeters (010 cm to 999 cm)	<b>-FF</b> = FireFly™ (Mates with UEC5/UCC8)



**Notes:**  
Supports PCIe® sideband signals

Decoupling capacitors in-line with signals on PCB.

PCI-SIG® PCI Express® and the PCIe® design marks are registered trademarks and/or service marks of PCI-SIG.

Some sizes, styles and options are non-standard, non-returnable.

View complete specifications at: [samtec.com?PCUE](http://samtec.com?PCUE)