

## Product Specification

### 10Gb/s SFPwire® SFP+ Active Optical Cable

#### FCBG110SD1Cxx-WX

#### PRODUCT FEATURES

- Hot-pluggable SFP+ cable ends
- Supports 10.3125 Gb/s bit rate
- RoHS-6 compliant (lead-free)
- Available in lengths up to 20m
- SFI Limiting interface
- Single 3.3V power supply
- Low power dissipation
- Commercial temperature range: 0°C to 70°C
- Rigid pull-tab for improved high-density installations



#### APPLICATIONS

- 10G Ethernet Datacenter Intra-Rack and Inter-Rack links

FCBG110SD1Cxx-WX 10Gb/s SFPwire® SFP+ active optical cables are designed for use in 10-Gigabit Ethernet links. They are electrically compliant with SFF-8431<sup>1</sup>, and the mechanical SFP+ plug is compatible with SFF-8432<sup>2</sup>. SFPwire is SFI limiting. No host electrical transmitter pre-emphasis is required. No host electrical receiver linear equalization is required. Host board designers using an EDC PHY IC should follow the IC manufacturer's recommended settings for interoperating the host-board EDC PHY with a limiting receiver. SFPwire is RoHS compliant as described in Application Note AN-2038<sup>3,4</sup>.

#### PRODUCT SELECTION

### FCBG110SD1Cxx-WX

XX	Cable Length
01	1 meter
02	2 meters
03	3 meters
07	7 meters
10	10 meters
15	15 meters

XX	Cable Length
20	20 meters
30	30 meters
Z5	0.5 meter
A5	1.5 meters
B5	2.5 meters
C5	3.5 meters

## I. Pin Descriptions

Pin	Symbol	Name/Description	Ref.
1	V <sub>EET</sub>	Transmitter Ground (Common with Receiver Ground)	1
2	T <sub>FAULT</sub>	Transmitter Fault.	2
3	T <sub>DIS</sub>	Transmitter Disable. Laser output disabled on high or open.	3
4	SDA	2-wire Serial Interface Data Line	4
5	SCL	2-wire Serial Interface Clock Line	4
6	MOD_ABS	Module Absent. Grounded within the module	4
7	RS0	No connection required	
8	RX_LOS	Loss of Signal indication. Logic 0 indicates normal operation.	5
9	RS1	No connection required	
10	V <sub>EER</sub>	Receiver Ground (Common with Transmitter Ground)	1
11	V <sub>EER</sub>	Receiver Ground (Common with Transmitter Ground)	1
12	RD-	Receiver Inverted DATA out. AC Coupled	
13	RD+	Receiver Non-inverted DATA out. AC Coupled	
14	V <sub>EER</sub>	Receiver Ground (Common with Transmitter Ground)	1
15	V <sub>CCR</sub>	Receiver Power Supply	
16	V <sub>CCT</sub>	Transmitter Power Supply	
17	V <sub>EET</sub>	Transmitter Ground (Common with Receiver Ground)	1
18	TD+	Transmitter Non-Inverted DATA in. AC Coupled.	
19	TD-	Transmitter Inverted DATA in. AC Coupled.	
20	V <sub>EET</sub>	Transmitter Ground (Common with Receiver Ground)	1

### Notes:

1. Circuit ground is internally isolated from chassis ground.
2. T<sub>FAULT</sub> is an open collector/drain output, which is pulled up with a 4.7kΩ – 10kΩ resistor on the host board, but is grounded inside the SFP+ cable plug.
3. Laser output disabled on T<sub>DIS</sub> >2.0V or open, enabled on T<sub>DIS</sub> <0.8V.
4. Should be pulled up with 4.7kΩ – 10kΩ on host board to a voltage between 2.0V and 3.6V. MOD\_ABS pulls line low to indicate module is plugged in.
5. LOS is open collector output. Should be pulled up with 4.7kΩ – 10kΩ on host board to a voltage between 2.0V and 3.6V. Logic 0 indicates normal operation; logic 1 indicates loss of signal.

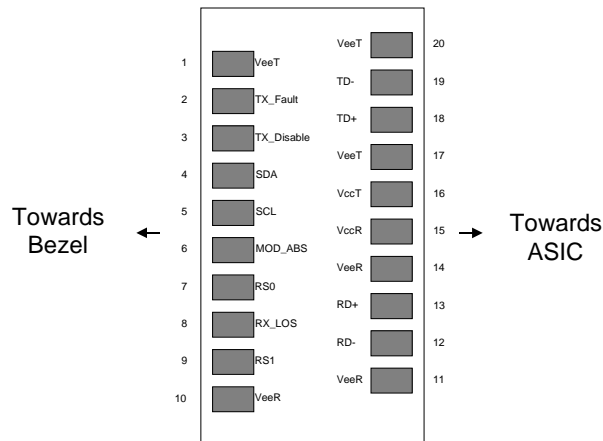


Figure 1. Diagram of Host Board Connector Block Pin Numbers and Names.

## II. Absolute Maximum Ratings

Exceeding the limits below may damage the active optical cable permanently.

Parameter	Symbol	Min	Typ	Max	Unit	Ref.
Maximum Supply Voltage	V <sub>CC</sub>	-0.5		4.0	V	
Storage Temperature	T <sub>S</sub>	-40		85	°C	1
Case Operating Temperature	T <sub>A</sub>	0		70	°C	
Relative Humidity	RH	0		85	%	2

### Notes:

- Assumes no mechanical load force on the unit. Ensuring no mechanical load force requires a cable bend radius >70 mm. Otherwise, the storage temperature range is -20 to 75°C.
- Non-condensing.

## III. Electrical Characteristics (each cable end, T<sub>OP</sub> = 0 to 70 °C, V<sub>CC</sub> = 3.14 to 3.46 Volts)

Parameter	Symbol	Min	Typ	Max	Unit	Ref.
Supply Voltage	V <sub>CC</sub>	3.14		3.46	V	
Supply Current	I <sub>CC</sub>			250	mA	
<b>Transmitter</b>						
Input differential impedance	R <sub>in</sub>		100		Ω	1
Differential data input swing	V <sub>in,pp</sub>	180		700	mV	
Transmit Disable Voltage	V <sub>D</sub>	2		V <sub>CC</sub>	V	
Transmit Enable Voltage	V <sub>EN</sub>	V <sub>EE</sub>		V <sub>EE</sub> + 0.8	V	
<b>Receiver</b>						
Differential data output swing	V <sub>out,pp</sub>	300		850	mV	2,6
Data output rise time, fall time	t <sub>r</sub>	28			ps	3
LOS Fault	V <sub>LOS fault</sub>	2		V <sub>CCHOST</sub>	V	4
LOS Normal	V <sub>LOS norm</sub>	V <sub>EE</sub>		V <sub>EE</sub> +0.8	V	4
Power Supply Noise Tolerance	V <sub>CC</sub> T/V <sub>CC</sub> R	Per SFF-8431 Rev 4.1			mV <sub>pp</sub>	5

### Notes:

- Connected directly to TX data input pins. AC coupling from pins into laser driver IC.
- Into 100Ω differential termination.
- 20 – 80%. Measured with Module Compliance Test Board and OMA test pattern. Use of four 1's and four 0's in sequence in the PRBS<sup>9</sup> is an acceptable alternative. SFF-8431 Rev 4.1
- LOS is an open collector output. Should be pulled up with 4.7kΩ – 10kΩ on the host board. Normal operation is logic 0; loss of signal is logic 1. Maximum pull-up voltage is 5.5V.
- Testing methodology per SFF-8431. Rev 4.1
- The FCBG110SD1Cxx-WX is SFI Limiting. Host board designers using an EDC PHY IC should follow the IC manufacturer's recommended settings for interoperating the host-board EDC PHY with a limiting receiver.

## IV. General Specifications

Parameter	Symbol	Min	Typ	Max	Units	Ref.
Bit Rate	BR		10.3		Gb/s	
Bit Error Ratio	BER			10 <sup>-15</sup>		1

### Notes:

- Tested with a 2<sup>31</sup> – 1 PRBS

## V. Environmental Specifications

The FCBG110SD1Cxx-WX SFPwire has a commercial operating temperature range from 0°C to 70°C case temperature.

Parameter	Symbol	Min	Typ	Max	Units	Ref.
Case Operating Temperature	T <sub>op</sub>	0		70	°C	
Storage Temperature	T <sub>sto</sub>	-40		85	°C	1

### Notes:

1. Assumes no mechanical load force on the unit. Ensuring no mechanical load force requires a cable bend radius of >70 mm. Otherwise, the storage temperature range is -20 to 75°C.

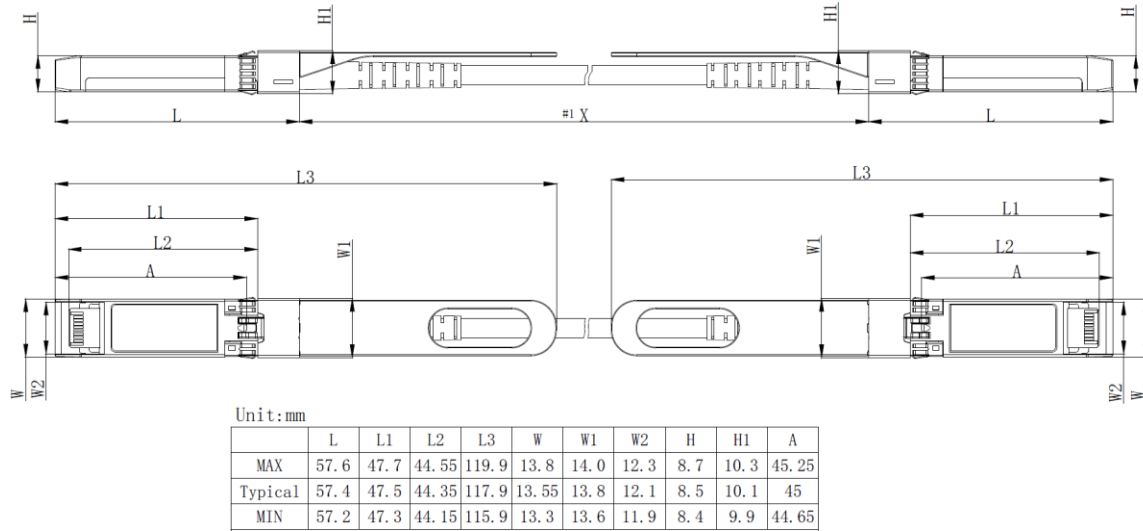
## VI. Regulatory Compliance

The FCBG110SD1Cxx-WX SFPwire, which contains laser devices, is a Class 1 laser product and complies with 21CFR 1040.10 and 1040.11 except for deviations pursuant to Laser Notice No. 50, dated June 24, 2007, and it complies with EN(IEC) 60825 Edition 1.2 regulations. The FCBG110SD1Cxx-WX is also RoHS Compliant.

Copies of certificates are available at Coherent upon request.

**VII. Mechanical Specifications**

The FCBG110SD1Cxx-WX SFPwire SFP+ cable ends are compatible with the SFF-8432 specification for improved pluggable form factor. The color of rigid pull-tab is black and the color of cable jacket is orange.



Length tolerance X	1 m ≤ length ≤ 4.5 m:	+15 / -0	cm
	5 m ≤ length ≤ 14.5 m:	+30 / -0	cm
	Length ≥ 15.0 m	+2% / -0	m

**Figure 2. FCBG110SD1Cxx-WX Mechanical Dimensions.**

**FCBG110SD1Cxx-WX SFPwire® cable details**

Description	Min	Typ	Max	Units	Notes
Cable Jacket Material					PVC
Cable Flammability Rating					OFNR
Cable Outer Diameter	2.8	3.0	3.2	mm	
Cable Tensile Load (Short Term)			200	Newtons	
Cable Tensile Load (Long Term)			100	Newtons	
Crush Resistance	10			Newtons/mm	FOTP-41
Impact Resistance	0.5			Newton·m	FOTP-25
Flexing	300			Cycles	FOTP-104
Twist Bend					Exceeds FOTP-85
Cable to SFP+ Plug Connection			90	Newtons	
Bend Radius (Short Term)	25			mm	
Bend Radius (Long Term)	30			mm	
Durability	100			Cycle Min	

### VIII. PCB Layout and Bezel Recommendations

- ▲ Datum and Basic Dimension Established by Customer
- ▲ Rads and Vias are Chassis Ground, 11 Places
- ▲ Through Holes are Unplated

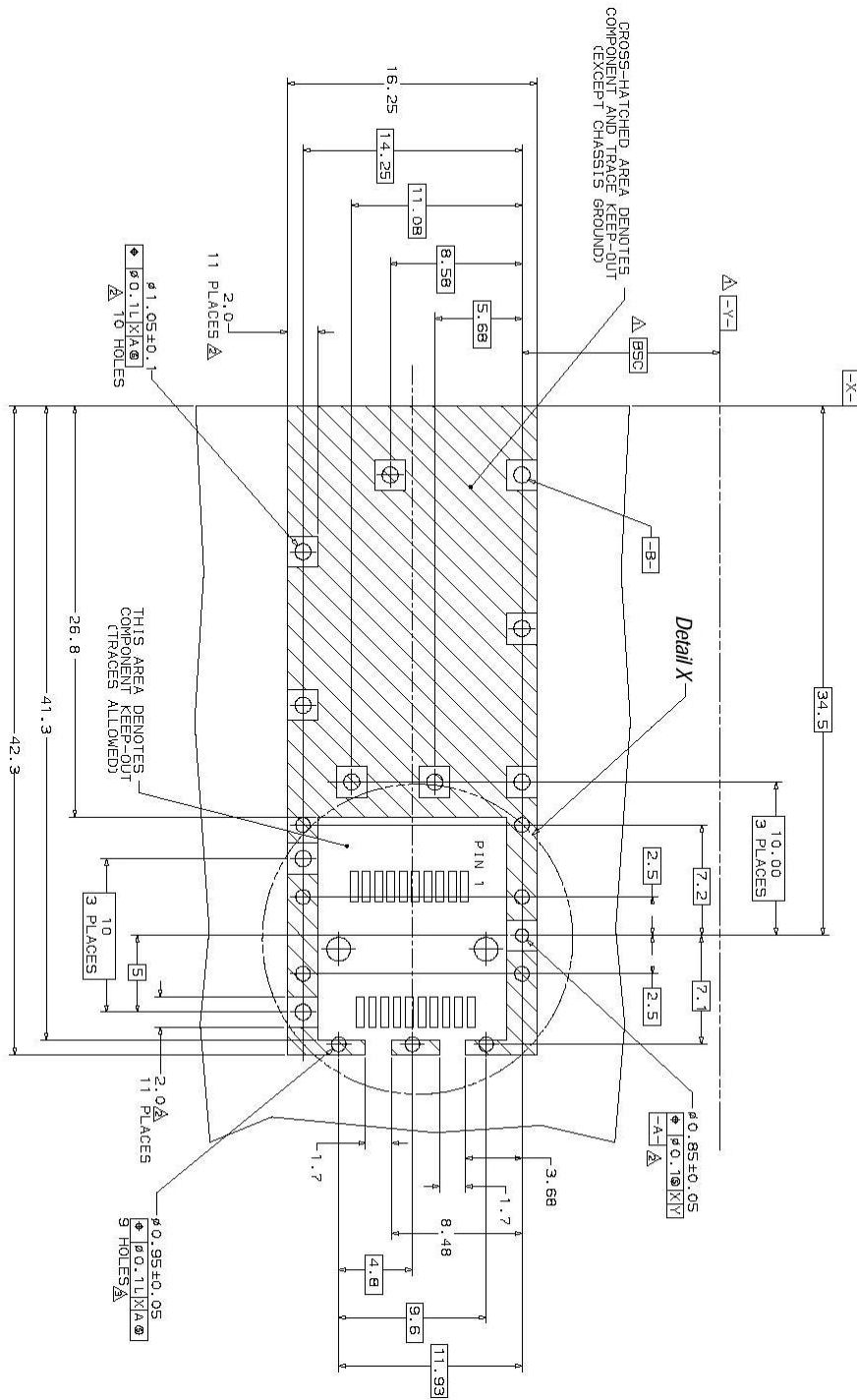
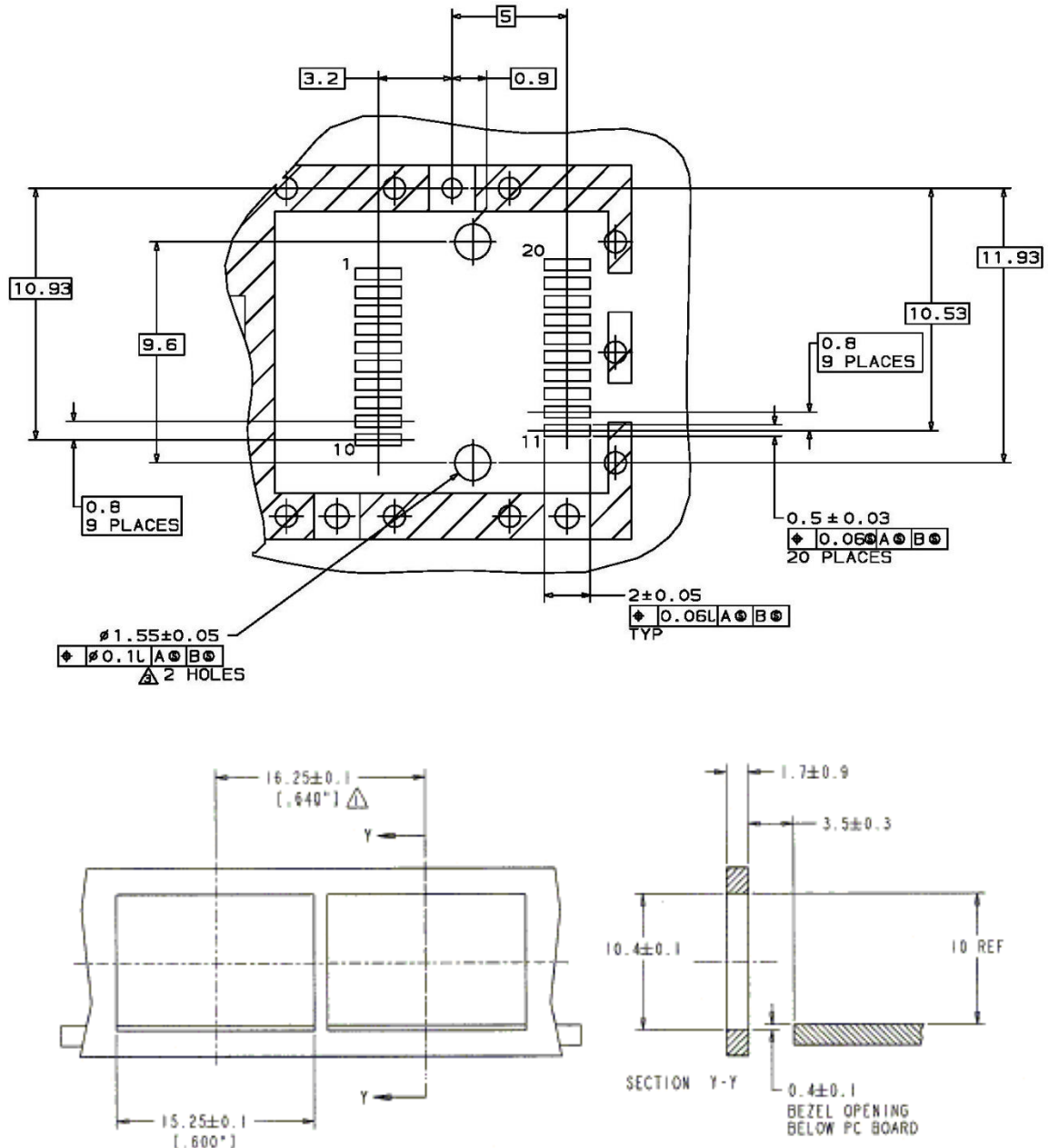


Figure 3.



NOTES:

- 1.  $\Delta$  MINIMUM PITCH ILLUSTRATED, ENGLISH DIMENSIONS ARE FOR REFERENCE ONLY
- 2. NOT RECOMMENDED FOR PCI EXPANSION CARD APPLICATIONS

Figure 4.

### IX. Host - Active optical cable end Interface Block Diagram

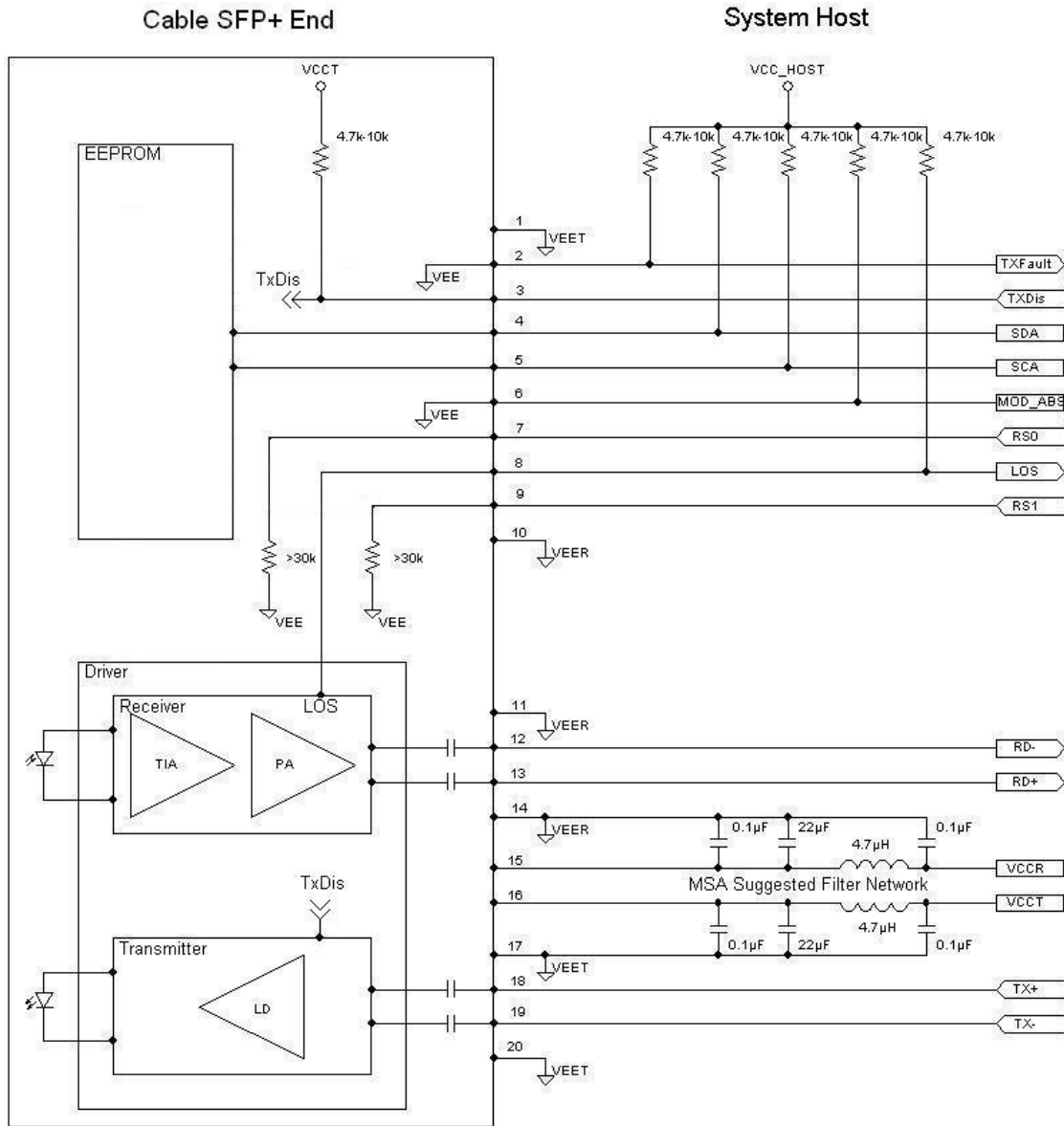


Figure 5.



## X. References

1. “Specifications for Enhanced 8.5 and 10 Gigabit Small Form Factor Pluggable Module ‘SFP+ ‘”, SFF Document Number SFF-8431, Revision 4.1.
2. “Improved Pluggable Formfactor”, SFF Document Number SFF-8432, Revision 4.2, April 18, 2007.
3. Directive 2011/65/EU of the European Council Parliament and of the Council, “on the restriction of the use of certain hazardous substances in electrical and electronic equipment”. Certain products may use one or more exemptions as allowed by the Directive.
4. “Application Note AN-2038: Finisar Implementation of RoHS Compliant Transceivers”

## XI. For More Information

Coherent Corp.  
375 Saxonburg Boulevard  
Saxonburg, PA 16056  
[photonics.sales@coherent.com](mailto:photonics.sales@coherent.com)  
[www.coherent.com](http://www.coherent.com)