

IOA REL 24V DO/BFI/3.0A/EX - Relay Module



2910153

<https://www.phoenixcontact.com/us/products/2910153>

Please be informed that the data shown in this PDF document is generated from our online catalog. Please find the complete data in the user documentation. Our general terms of use for downloads are valid.



Relay module for VIP I/O-Marshalling base elements. For switching 24 V DC loads up to max. 3 A. Integrated fuse and fuse failure indication. N/O contact or N/C contact can be used.

Product description

Relay module for digital output signals for switching loads with max. 3 A nominal current and a maximum voltage of 24 V DC. The switch contact is protected by an integrated replaceable 3 A fuse. If the fuse fails, this is indicated by an LED. A plug-in bridge determines whether an N/O contact or an N/C contact is used. The module is installed on a corresponding VIP I/O-Marshalling base element by means of plug-in contact. Installation in zone 2, "ec" type of protection is permitted.

Your advantages

- Output blown fuse indication
- Active relay coil indication
- Two-stage progressive release allowing for voltage checks with field-powered devices
- Channel for marking accessories
- Replaceable TE5-style fusing
- 24 V internal marshalling option for connected field device
- Integrated keying reduces possible user error during replacement
- 1 PDT relay with user selectable NO or NC contact

Commercial data

Item number	2910153
Packing unit	1 pc
Minimum order quantity	1 pc
Sales key	C480
Product key	CK8222
Catalog page	Page 556 (C-5-2017)
GTIN	4055626447278
Weight per piece (including packing)	69.3 g
Weight per piece (excluding packing)	65.6 g
Customs tariff number	85364190
Country of origin	US

IOA REL 24V DO/BFI/3.0A/EX - Relay Module



2910153

<https://www.phoenixcontact.com/us/products/2910153>

Technical data

Product properties

Product type	Relay Module
Product family	VIP I/O-Marshalling
Application	Output function
Operating mode	100% operating factor
Mechanical service life	2x 10 ⁷ cycles

Insulation characteristics

Overvoltage category	II
Pollution degree	2

Input data

Coil side

Nominal input voltage U_N	24 V DC
Input voltage range in reference to U_N	0.9 ... 1.1
Typical input current at U_N	13.5 mA
Typical response time	5 ms
Typical release time	8 ms
Coil voltage	24 V DC
Protective circuit	Reverse polarity protection; Polarity protection diode Freewheeling diode; Freewheeling diode
Operating voltage display	Yellow LED

Output data

Switching

Contact switching type	1 changeover contact
Type of switch contact	Single contact
Contact connection type	Power contact
Contact material	AgSnO
Maximum switching voltage	24 V DC
Minimum switching voltage	5 V (at 100 mA)
Limiting continuous current	3 A (fuse limited)
Min. switching current	10 mA (at 12 V)
Interrupting rating (ohmic load) max.	140 W (at 24 V DC)

Connection data

Control circuits

Connection method	Pin strip
-------------------	-----------

Ex data

IOA REL 24V DO/BFI/3.0A/EX - Relay Module



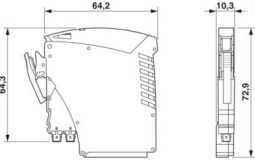
2910153

<https://www.phoenixcontact.com/us/products/2910153>

Safety data

Input voltage U_i	24 V DC
Input current I_i	13.5 mA

Dimensions

Dimensional drawing	
Width	10.3 mm
Height	64.2 mm
Depth	72.9 mm

Material specifications

Color	gray (RAL 7042)
Flammability rating according to UL 94	V0

Environmental and real-life conditions

Ambient conditions

Degree of protection	IP20
Ambient temperature (operation)	-40 °C ... 70 °C
Ambient temperature (storage/transport)	-40 °C ... 70 °C
Altitude	≤ 2000 m
Permissible humidity (operation)	0 % ... 95 % (non-condensing)

Approvals

ATEX

Identification	⊕ II 3G Ex ec nC IIC T4 Gc
Certificate	Sira 17ATEX4293X

IECEX

Identification	Ex ec nC IIC T4 Gc
Certificate	IECEX SIR 17.0078X

UKEX

Identification	⊕ II 3G Ex ec nC IIC T4 Gc
Certificate	PxCIF23UKEX2910153X

UL, USA/Canada

Identification	Class I, Div. 2, Groups A, B, C, D T4
	Class I, Zone 2, Group IIC T4

CSA, USA/Canada

IOA REL 24V DO/BFI/3.0A/EX - Relay Module



2910153

<https://www.phoenixcontact.com/us/products/2910153>

Identification	Class I, Div. 2, Groups A, B, C, D T4
	Class I, Zone 2, AEx ec nC IIC T4 Gc
	Ex ec nC IIC T4 Gc

Standards and regulations

Standards/regulations	IEC 60664
	DIN EN 50178

Mounting

Mounting type	Plug-in mounting
Assembly instructions	Plugs into VIP/...BASE...
Mounting position	any

IOA REL 24V DO/BFI/3.0A/EX - Relay Module

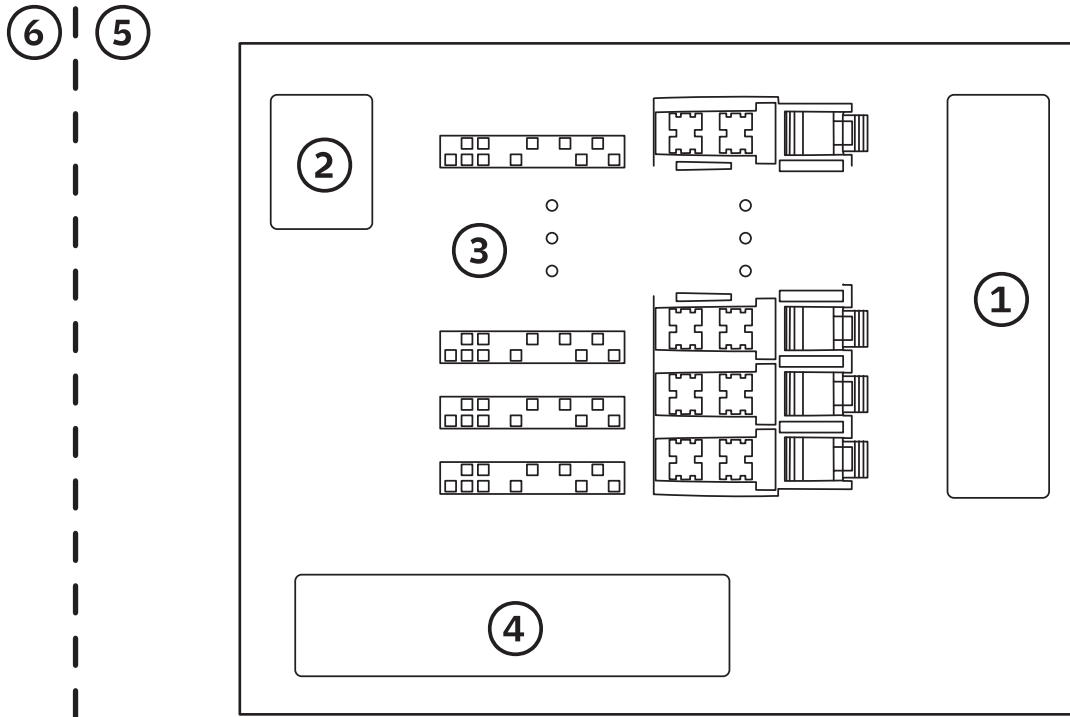


2910153

<https://www.phoenixcontact.com/us/products/2910153>

Drawings

Schematic diagram



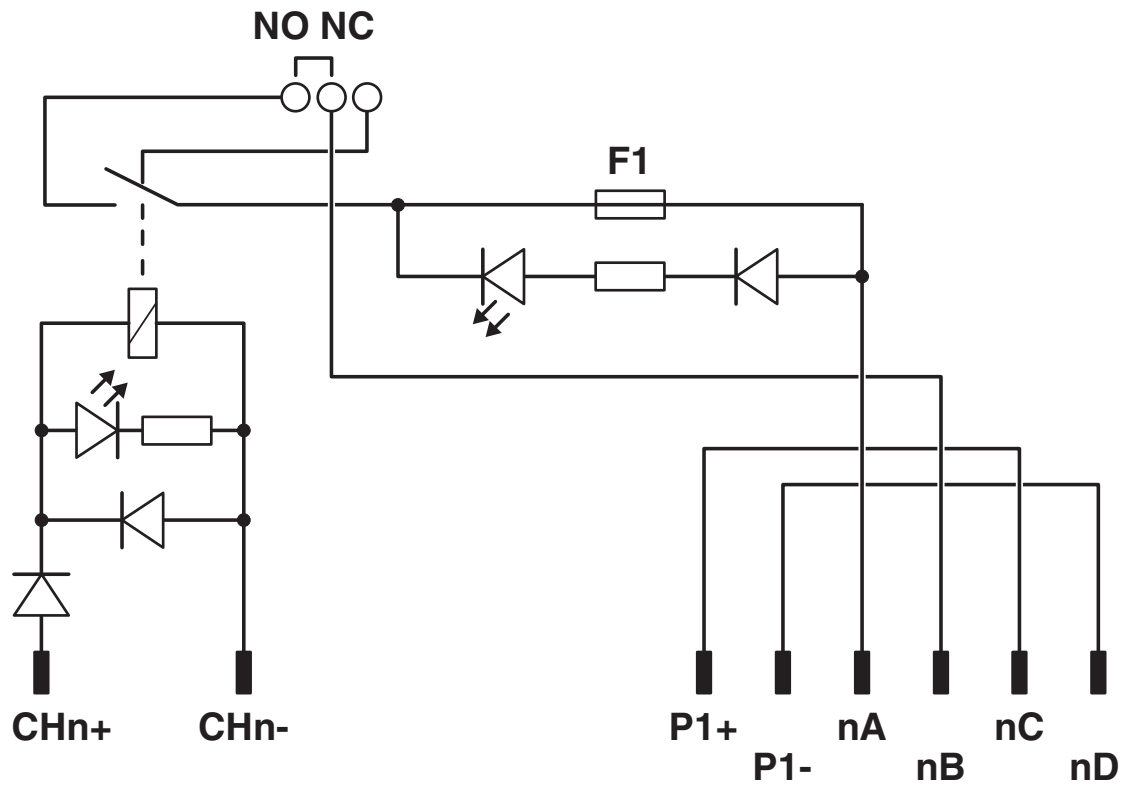
IOA REL 24V DO/BFI/3.0A/EX - Relay Module



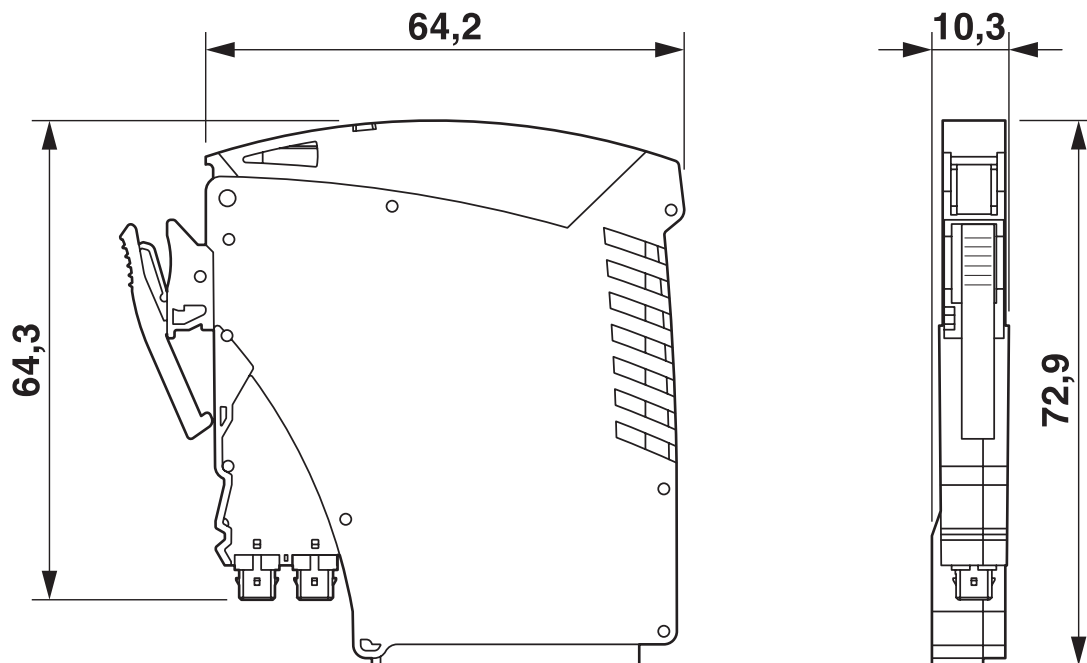
2910153

<https://www.phoenixcontact.com/us/products/2910153>

Circuit diagram



Dimensional drawing



IOA REL 24V DO/BFI/3.0A/EX - Relay Module



2910153

<https://www.phoenixcontact.com/us/products/2910153>

Approvals

To download certificates, visit the product detail page: <https://www.phoenixcontact.com/us/products/2910153>



IECEX

Approval ID: IECEX SIR 17.0078X



CSA

Approval ID: 70134758



CSAus

Approval ID: 70134758



ATEX

Approval ID: SIRA 17ATEX4293X



cUL Listed

Approval ID: FILE E 196811



UL Listed

Approval ID: FILE E 196811

cCSAus

cULus Listed

IOA REL 24V DO/BFI/3.0A/EX - Relay Module



2910153

<https://www.phoenixcontact.com/us/products/2910153>

Classifications

ECLASS

ECLASS-11.0	27371601
ECLASS-12.0	27371601
ECLASS-13.0	27371601

ETIM

ETIM 9.0	EC001437
----------	----------

UNSPSC

UNSPSC 21.0	39122300
-------------	----------

2910153

<https://www.phoenixcontact.com/us/products/2910153>

Environmental product compliance

EU RoHS

Fulfills EU RoHS substance requirements	Yes
Exemption	6(c), 7(a), 7(c)-I

China RoHS

Environment friendly use period (EFUP)	EFUP-50
	An article-related China RoHS declaration table can be found in the download area for the respective article under "Manufacturer declaration". For all articles with EFUP-E, no China RoHS declaration table issued and required.

EU REACH SVHC

REACH candidate substance (CAS No.)	Lead(CAS: 7439-92-1)
SCIP	36f1c6f9-742f-4a03-9c4b-d5429fede072

IOA REL 24V DO/BFI/3.0A/EX - Relay Module



2910153

<https://www.phoenixcontact.com/us/products/2910153>

Mandatory accessories

VIP/S/D25M/BASE 1-8/L/C/EX - Base module

2906595

<https://www.phoenixcontact.com/us/products/2906595>



8-channel VIP I/O marshalling base element for universal use. All connections as screw connection technology. This module with the D-SUB 25 connector is pin compatible with the Foxboro I/A series DCS.

VIP/MSTB/D50M/BASE/16CH/CX/EX - Base module

2908788

<https://www.phoenixcontact.com/us/products/2908788>



16-channel VIP I/O marshalling base element for universal use. Plug-in field and supply terminals available as accessories. Either with screw or Push-in connection technology. Compatible with the Tricon CX DCS series (D-SUB 50).

IOA REL 24V DO/BFI/3.0A/EX - Relay Module



2910153

<https://www.phoenixcontact.com/us/products/2910153>

VIP/S/MC/BASE 1-8/L/EX - Base module

2906596

<https://www.phoenixcontact.com/us/products/2906596>



8-channel VIP I/O marshalling base element for universal use. All connections as screw connection technology. With the COMBICON connector, compatible with the Honeywell C300 and RUSIO series. Marking for channels 1–8.

VIP/S/MC/BASE 9-16/L/EX - Base module

2906630

<https://www.phoenixcontact.com/us/products/2906630>



8-channel VIP I/O marshalling base element for universal use. All connections as screw connection technology. With the COMBICON connector, compatible with the Honeywell C300 and RUSIO series. Marking for channels 9–16.

IOA REL 24V DO/BFI/3.0A/EX - Relay Module



2910153

<https://www.phoenixcontact.com/us/products/2910153>

VIP/S/MC/BASE 17-24/L/EX - Base module

2907024

<https://www.phoenixcontact.com/us/products/2907024>



8-channel VIP I/O marshalling base element for universal use. All connections as screw connection technology. With the COMBICON connector, compatible with the Honeywell C300 and RUSIO series. Marking for channels 17–24.

VIP/S/MC/BASE 25-32/L/EX - Base module

2907025

<https://www.phoenixcontact.com/us/products/2907025>



8-channel VIP I/O marshalling base element for universal use. All connections as screw connection technology. With the COMBICON connector, compatible with the Honeywell C300 and RUSIO series. Marking for channels 25–32.

IOA REL 24V DO/BFI/3.0A/EX - Relay Module



2910153

<https://www.phoenixcontact.com/us/products/2910153>

VIP/S/MC/BASE 1-8/L/C/EX - Base module

2907186

<https://www.phoenixcontact.com/us/products/2907186>



8-channel VIP I/O marshalling base element for universal use. All connections as screw connection technology. With the COMBICON connector, compatible with the Honeywell C300 and RUSIO series. Marking for channels 1–8 and painting.

VIP/S/MC/BASE 9-16/L/C/EX - Base module

2907187

<https://www.phoenixcontact.com/us/products/2907187>



8-channel VIP I/O marshalling base element for universal use. All connections as screw connection technology. With the COMBICON connector, compatible with the Honeywell C300 and RUSIO series. Marking for channels 9–16 and painting.

IOA REL 24V DO/BFI/3.0A/EX - Relay Module



2910153

<https://www.phoenixcontact.com/us/products/2910153>

VIP/S/MC/BASE 17-24/L/C/EX - Base module

2907209

<https://www.phoenixcontact.com/us/products/2907209>



8-channel VIP I/O marshalling base element for universal use. All connections as screw connection technology. With the COMBICON connector, compatible with the Honeywell C300 and RUSIO series. Marking for channels 17–24 and painting.

VIP/S/MC/BASE 25-32/L/C/EX - Base module

2907210

<https://www.phoenixcontact.com/us/products/2907210>



8-channel VIP I/O marshalling base element for universal use. All connections as screw connection technology. With the COMBICON connector, compatible with the Honeywell C300 and RUSIO series. Marking for channels 25–32 and painting.

Accessories

IOA REL 24V DO/BFI/3.0A/EX - Relay Module



2910153

<https://www.phoenixcontact.com/us/products/2910153>

UC-TM 6 - Marker for terminal blocks

0818085

<https://www.phoenixcontact.com/us/products/0818085>

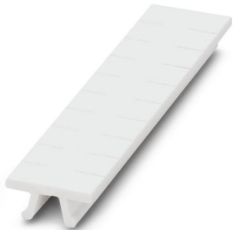


Marker for terminal blocks, Sheet, white, unlabeled, can be labeled with: BLUEMARK ID COLOR, BLUEMARK ID, BLUEMARK CLED, PLOTMARK, CMS-P1-PLOTTER, mounting type: snapped, for terminal block width: 6.2 mm, lettering field size: 5.6 x 10.5 mm, Number of individual labels: 80

ZB 5,08:UNBEDRUCKT - Zack marker strip

0809793

<https://www.phoenixcontact.com/us/products/0809793>



Zack marker strip, Strip, white, unlabeled, can be labeled with: PLOTMARK, CMS-P1-PLOTTER, mounting type: snapped, for terminal block width: 5.08 mm, lettering field size: 4.98 x 10.5 mm, Number of individual labels: 10

IOA REL 24V DO/BFI/3.0A/EX - Relay Module



2910153

<https://www.phoenixcontact.com/us/products/2910153>

B-STIFT - Marker pen

1051993

<https://www.phoenixcontact.com/us/products/1051993>



Marker pen, for manual labeling of unprinted Zack strips, smear-proof and waterproof, line thickness 0.5 mm

FUSE/TE5/3.15A/F-10PCS - Fuse set

2906442

<https://www.phoenixcontact.com/us/products/2906442>



Plug-in fuse (TE5[®]); nominal current: 3.15 A; tripping behavior: fast-blow (F)

Phoenix Contact 2024 © - all rights reserved
<https://www.phoenixcontact.com>

Phoenix Contact USA
586 Fulling Mill Road
Middletown, PA 17057, United States
(+717) 944-1300
info@phoenixcon.com