

AXL F DOR4/2 AC/220DC 1F - Relay Module



2700608

<https://www.phoenixcontact.com/us/products/2700608>

Please be informed that the data shown in this PDF document is generated from our online catalog. Please find the complete data in the user documentation. Our general terms of use for downloads are valid.



Axioline F, Relay module, Relay outputs: 4 (floating), N/O contact, 220 V DC, 230 V AC, transmission speed in the local bus: 100 Mbps, degree of protection: IP20, including bus base module and Axioline F connectors

Product description

The module is designed for use within an Axioline F station. It has four floating relay N/O contacts which are independent of one another. Low-voltage and extra-low-voltage modules can be used side by side within an Axioline F station.

Your advantages

- Meets the requirements of IEC 61850-3 and IEEE 1613
- 4 monostable relays
- Floating connections for 4 actuators
- Nominal current of each output: 8 A
- Total current of the module: 32 A (4 x 8 A)
- Device rating plate stored

Commercial data

Item number	2700608
Packing unit	1 pc
Minimum order quantity	1 pc
Sales key	DR02
Product key	DRI232
Catalog page	Page 79 (C-6-2019)
GTIN	4046356916486
Weight per piece (including packing)	255.7 g
Weight per piece (excluding packing)	222 g
Customs tariff number	85389091
Country of origin	DE

AXL F DOR4/2 AC/220DC 1F - Relay Module

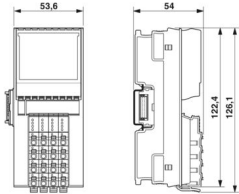


2700608

<https://www.phoenixcontact.com/us/products/2700608>

Technical data

Dimensions

Dimensional drawing	
Width	53.6 mm
Height	126.1 mm
Depth	54 mm
Note on dimensions	The depth applies when a TH 35-7.5 DIN rail is used (in accordance with EN 60715).

Interfaces

Axioline F local bus

Number of interfaces	2
Connection method	Bus base module
Transmission speed	100 Mbps

System properties

Module

Input address area	0 Byte
Output address area	1 Byte
Required parameter data	1 Byte
Required configuration data	6 Byte

Output data

Relay

Number of outputs	4 (floating)
Connection method	Push-in connection
Connection technology	2-conductor
Contact switching type	N/O contact
Switching current	max. 8 A AC (cos phi = 1) For DC see load limit curve, e.g., the following values: max. 8 A DC (≤ 30 V, ohmic load) max. 500 mA DC (110 V, ohmic load) max. 250 mA DC (220 V DC, ohmic load) max. 220 mA DC (125 V DC, L/R ≤ 50 ms, applications with UL approval)

AXL F DOR4/2 AC/220DC 1F - Relay Module



2700608

<https://www.phoenixcontact.com/us/products/2700608>

	max. 110 mA DC (250 V DC, L/R ≤ 50 ms, applications with UL approval)
Switching capacity	max. 2000 VA
	For DC see load limit curve, e.g., the following values:
	max. 240 W (30 V DC)
	max. 55 W (≥ 60 V DC)
Switching capacity in accordance with IEC 60947-5-1	max. 25 W (125 V DC, 250 V DC, applications with UL approval)
	6 A (120 V (AC15))
	3 A (240 V (AC15))
	0.22 A (125 V (DC13))
	0.1 A (250 V (DC-13))
Switching frequency	max. 6 (per minute)
Mechanical service life	10x 10 ⁶ cycles

Product properties

Product type	I/O component
Product family	Axioline F
Type	block modular
Mounting position	any (observe temperature and current derating)
Scope of delivery	including bus base module and Axioline F connectors

Insulation characteristics

Overvoltage category	III (EN 61010-2-201/UL 61010-2-201), up to 2000 m above sea level
	II (EN 61010-2-201/UL 61010-2-201), up to 3000 m above sea level
Pollution degree	2

Electrical properties

Potentials: Axioline F local bus supply (U_{Bus})

Supply voltage	5 V DC (via bus base module)
Current draw	max. 280 mA (all relays pick up)
Power consumption	max. 1.4 W (all relays pick up)

Electrical isolation/isolation of the voltage ranges

Test voltage: Relay contact / logic	4 kV
	5 kV
Test voltage: Relay contact / functional ground	4 kV
	5 kV
Test voltage: Relay contact/relay contact (open contact)	1 kV, 50 Hz, 1 min.
Test voltage: Relay contact/relay contact (adjacent male connectors)	2.5 kV

Connection data

Connection technology

Connection name	Axioline F connector
-----------------	----------------------

AXL F DOR4/2 AC/220DC 1F - Relay Module



2700608

<https://www.phoenixcontact.com/us/products/2700608>

Note on the connection method	Please observe the information provided on conductor cross sections in the "Axioline F: system and installation" user manual. When selecting the cables, please note that in the case of a small conductor cross section and high current, the terminal point temperature may be up to 30 K above the ambient temperature.
-------------------------------	----------------------------------------------------------------------------------------------------------------------------------------------------------------------------------------------------------------------------------------------------------------------------------------------------------------------------

Conductor connection

Connection method	Push-in connection
Conductor cross section rigid	0.2 mm ² ... 1.5 mm ²
Conductor cross section flexible	0.2 mm ² ... 1.5 mm ²
Conductor cross section AWG	24 ... 16
Stripping length	8 mm

Axioline F connector

Connection method	Push-in connection
Note on the connection method	Please observe the information provided on conductor cross sections in the "Axioline F: system and installation" user manual. When selecting the cables, please note that in the case of a small conductor cross section and high current, the terminal point temperature may be up to 30 K above the ambient temperature.
Conductor cross section, rigid	0.2 mm ² ... 1.5 mm ²
Conductor cross section, flexible	0.2 mm ² ... 1.5 mm ²
Conductor cross section AWG	24 ... 16
Stripping length	8 mm

Environmental and real-life conditions

Ambient conditions

Ambient temperature (operation)	-25 °C ... 60 °C (max. 6 A/channel for wall mounting on horizontal DIN rail; max. 4 A/channel for any mounting position)
	-25 °C ... 50 °C (max. 8 A/channel for wall mounting on horizontal DIN rail; max. 6 A/channel for any mounting position)
	-25 °C ... 40 °C (max. 8 A/channel for any mounting position)
Degree of protection	IP20
Air pressure (operation)	70 kPa ... 106 kPa (up to 3000 m above sea level)
Air pressure (storage/transport)	70 kPa ... 106 kPa (up to 3000 m above sea level)
Ambient temperature (storage/transport)	-40 °C ... 85 °C
Permissible humidity (operation)	5 % ... 95 % (non-condensing)
Permissible humidity (storage/transport)	5 % ... 95 % (non-condensing)

Mounting

Mounting type	DIN rail mounting
Mounting position	any (observe temperature and current derating)

AXL F DOR4/2 AC/220DC 1F - Relay Module

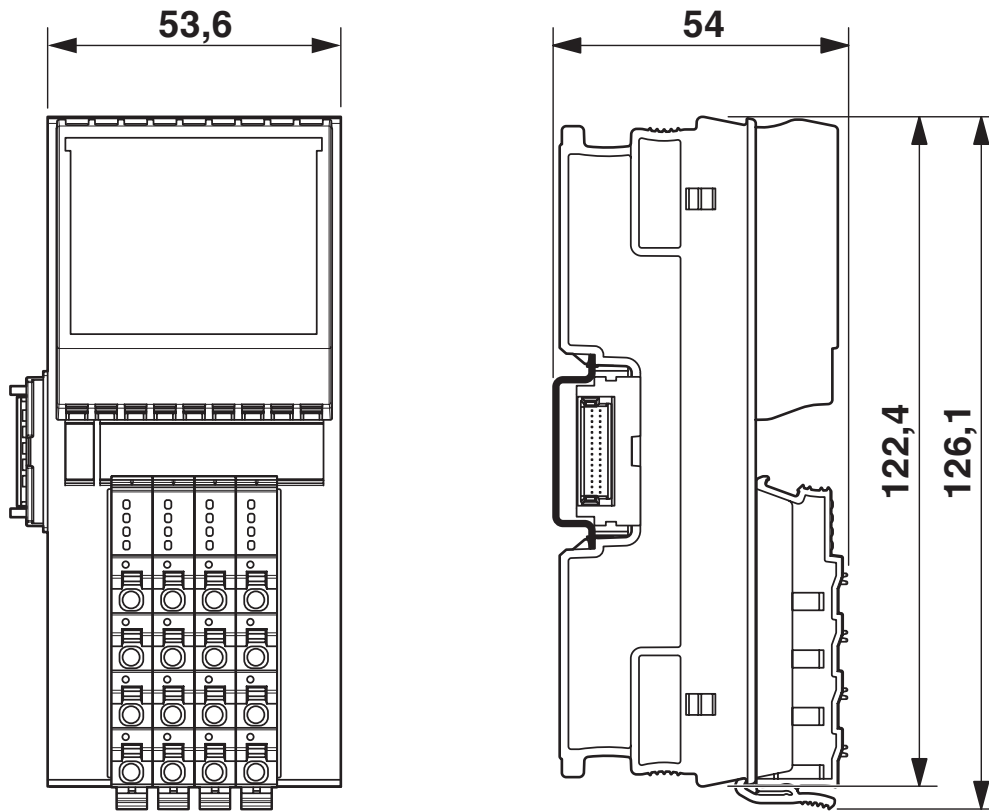


2700608

<https://www.phoenixcontact.com/us/products/2700608>

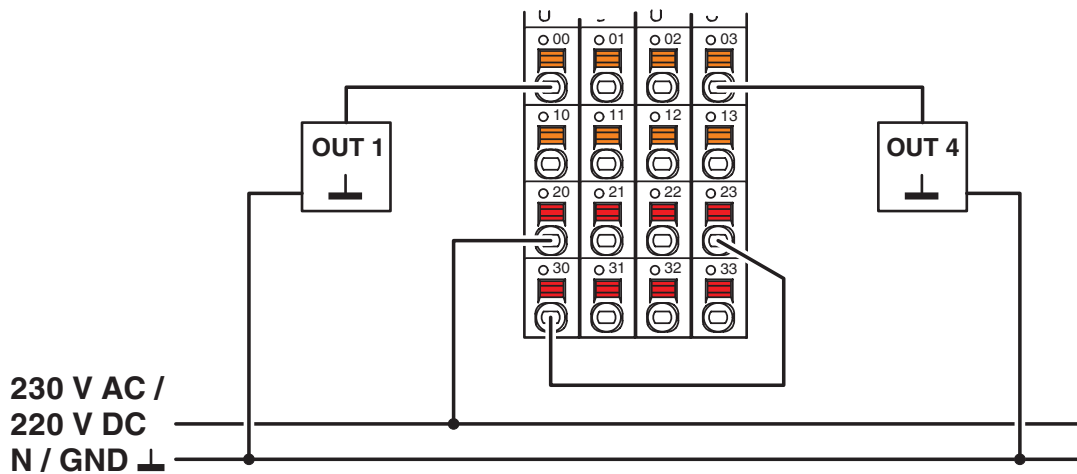
Drawings

Dimensional drawing



Dimensions

Connection diagram



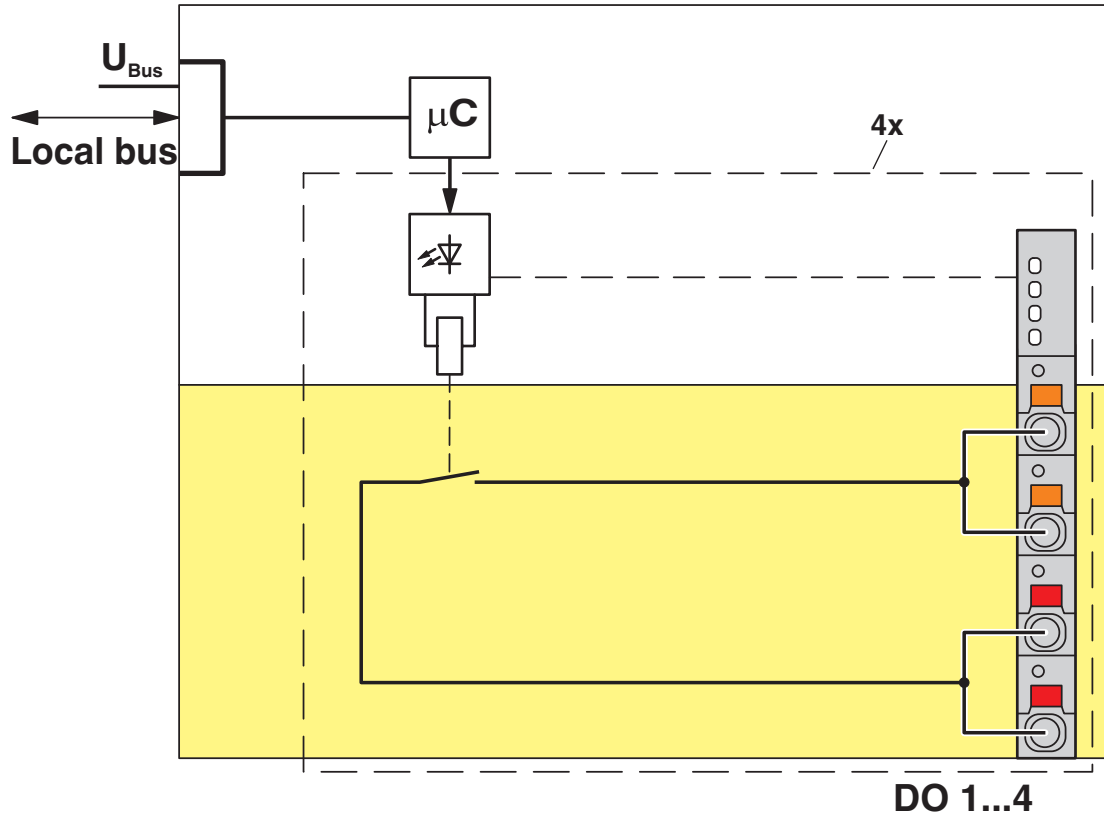
Connection of actuators

AXL F DOR4/2 AC/220DC 1F - Relay Module

2700608

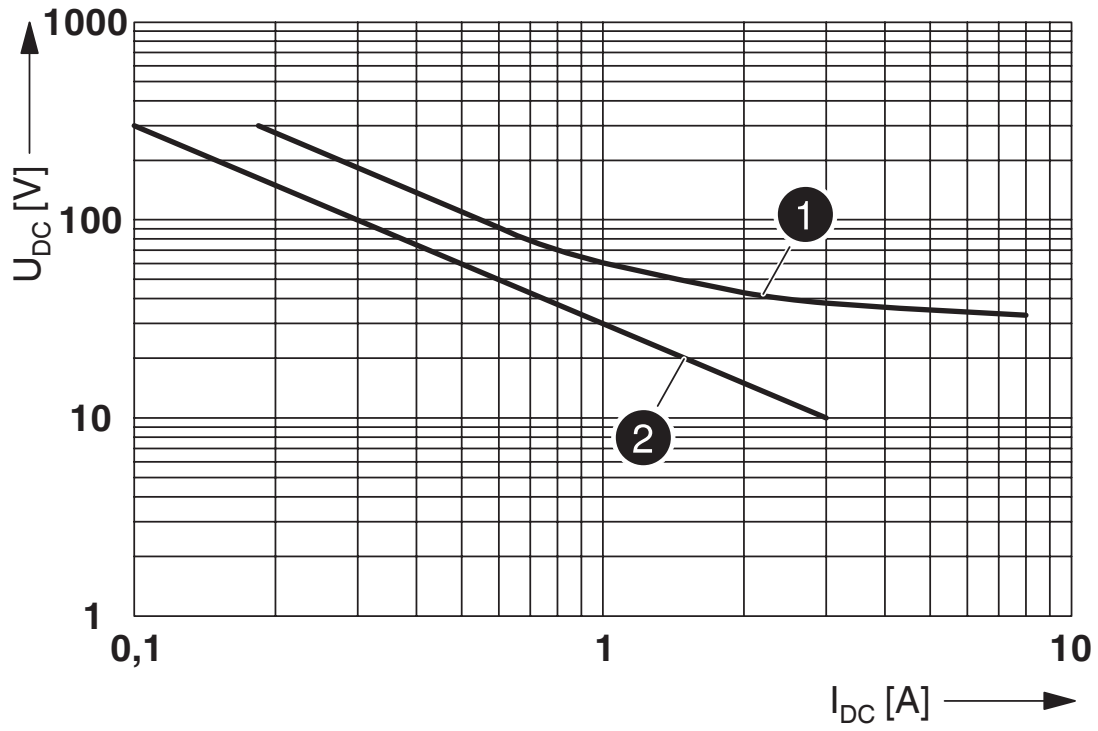
<https://www.phoenixcontact.com/us/products/2700608>

Block diagram



Internal wiring of the terminal points

Diagram



DC load limit curve for REL-MLR-1X1/G 5 (1 - ohmic load, 2 - inductive load $L/R = 50$ ms)

AXL F DOR4/2 AC/220DC 1F - Relay Module



2700608

<https://www.phoenixcontact.com/us/products/2700608>

Approvals

To download certificates, visit the product detail page: <https://www.phoenixcontact.com/us/products/2700608>



UL Listed

Approval ID: FILE E 238705



cUL Listed

Approval ID: FILE E 238705

UAE-RoHS

Approval ID: 23-02-63242

cULus Listed

AXL F DOR4/2 AC/220DC 1F - Relay Module



2700608

<https://www.phoenixcontact.com/us/products/2700608>

Classifications

ECLASS

ECLASS-11.0	27242604
ECLASS-12.0	27242604
ECLASS-13.0	27242604

ETIM

ETIM 9.0	EC001599
----------	----------

UNSPSC

UNSPSC 21.0	32151600
-------------	----------

AXL F DOR4/2 AC/220DC 1F - Relay Module



2700608

<https://www.phoenixcontact.com/us/products/2700608>

Environmental product compliance

EU RoHS

Fulfills EU RoHS substance requirements	Yes
Exemption	7(c)-I

China RoHS

Environment friendly use period (EFUP)	EFUP-50
	An article-related China RoHS declaration table can be found in the download area for the respective article under "Manufacturer declaration". For all articles with EFUP-E, no China RoHS declaration table issued and required.

EU REACH SVHC

REACH candidate substance (CAS No.)	No substance above 0.1 wt%
-------------------------------------	----------------------------

AXL F DOR4/2 AC/220DC 1F - Relay Module

2700608

<https://www.phoenixcontact.com/us/products/2700608>



Accessories

AXL F BS F - Bus connector

2688129

<https://www.phoenixcontact.com/us/products/2688129>



Axioline F bus base module for housing type F

ZB 20,3 AXL UNPRINTED - Zack marker strip

0829579

<https://www.phoenixcontact.com/us/products/0829579>



Zack marker strip for Axioline F (device labeling), in 2 x 20.3 mm pitch, unprinted, 25-section, for individual labeling with B-STIFT 0.8, X-PEN, or CMS-P1-PLOTTER

AXL F DOR4/2 AC/220DC 1F - Relay Module



2700608

<https://www.phoenixcontact.com/us/products/2700608>

ZBF 7,5:UNBEDRUCKT - Zack Marker strip, flat

0809942

<https://www.phoenixcontact.com/us/products/0809942>



Zack Marker strip, flat, Strip, white, unlabeled, can be labeled with: PLOTMARK, CMS-P1-PLOTTER, mounting type: snapped, for terminal block width: 7.5 mm, lettering field size: 5.15 x 7.4 mm, Number of individual labels: 10

EMT (35X46)R - Insert label

0801604

<https://www.phoenixcontact.com/us/products/0801604>



Insert label, for marking the Axioline F series from Phoenix Contact, Roll, white, unlabeled, can be labeled with: THERMOMARK E.300 (D)/600 (D), THERMOMARK ROLL 2.0, THERMOMARK ROLL, THERMOMARK ROLL X1, THERMOMARK ROLLMaster 300/600, THERMOMARK X1.2, mounting type: insert, lettering field size: 35 x 46 mm, Number of individual labels: 500

Phoenix Contact 2024 © - all rights reserved
<https://www.phoenixcontact.com>

Phoenix Contact USA
586 Fulling Mill Road
Middletown, PA 17057, United States
(+717) 944-1300
info@phoenixcon.com