

NJ-Series Power Supply Unit

NJ-PA/PD

CSM_NJ-PA_PD_DS_E_1_4

Powerful power supply unit to supply stable power to the NJ-series controller.

Stable power supply is available from the NJ-series CPU Unit to each I/O Unit via the dedicated bus. Lineups are provided for AC and DC input types with 30 W output.



NJ-PD3001

Features

- AC input type (100 to 240 VAC)/DC input type (24 VDC) with 30 W output allows power supply to large-scale configurations.
- Operating output contact indicates the CPU operation status (available in all models).

Ordering Information

Applicable standards

- Refer to the OMRON website (www.ia.omron.com) or ask your OMRON representative for the most recent applicable standards for each model.

Power Supply Units

Product Name	Power supply voltage	Output current		Output capacity Total power consumption	Options			Model
		5-VDC output capacity	24-VDC output capacity		24-VDC service power supply	RUN output	Maintenance forecast monitor	
AC Power Supply Unit	100 to 240 VAC	6.0 A	1.0 A	30 W	No	Yes	No	NJ-PA3001
DC Power Supply Unit	24 VDC							NJ-PD3001

Note: Power supply units for the CJ-Series cannot be used as a power supply for a CPU rack of the NJ system or as a power supply for an expansion rack.

Accessories

There is no accessory for the NJ-series Power Supply Unit.

Systemac is a trademark or registered trademark of OMRON Corporation in Japan and other countries for OMRON factory automation products. Other company names and product names in this document are the trademarks or registered trademarks of their respective companies.

General Specification

Item	Specifications	
	NJ-PA3001	NJ-PD3001
Model	NJ-PA3001	NJ-PD3001
Supply voltage	100 to 240 VAC (wide-range), 50/60 Hz	24 VDC
Operating voltage and frequency ranges	85 to 264 VAC, 47 to 63 Hz	19.2 to 28.8 VDC
Power consumption	120 VA max.	60 W max.
Inrush current *1	At 100 VAC: 20 A/8 ms max. for cold start at room temperature At 200 VAC: 40 A/8 ms max. for cold start at room temperature	At 24 VDC: 30 A/20 ms max. for cold start
Output capacity *2	5 VDC, 6.0 A (including supply to CPU Unit using CPU Rack) 5 VDC, 6.0 A (using Expansion Rack) 24 VDC, 1.0 A Total: 30 W max.	
Output terminal (service supply)	Not provided	
RUN output *3	Contact configuration: SPST-NO Switch capacity: 250 VAC, 2 A (resistive load) 120 VAC, 0.5 A (inductive load), 24 VDC, 2A (resistive load)	
Replacement notification function	Not provided	
Insulation resistance *4	20 MΩ min. (at 500 VDC) between AC external and GR terminals	20 MΩ min. (at 500 VDC) between DC external and GR terminals
Dielectric strength *4*5	2,300 VAC 50/60 Hz for 1 min between AC external and GR terminals Leakage current: 10 mA max.	1,000 VAC 50/60 Hz for 1 min between DC external and GR terminals Leakage current: 10 mA max.
Noise immunity	2 kV on power supply line (Conforms to IEC 61000-4-4.)	
Vibration resistance	5 to 8.4 Hz, 3.5-mm amplitude, 8.4 to 150 Hz, acceleration: 9.8 m/s ² in X, Y, and Z directions for 100 min (Time coefficient: 10 min × coefficient factor 10 = total time 100 min) (according to IEC 60068-2-6)	
Shock resistance	147 m/s ² 3 times each in X, Y, and Z directions (Relay Output Unit: 100 m/s ²) (according to IEC 60068-2-27)	
Ambient operating temperature	0 to 55°C	
Ambient operating humidity	10% to 90% (with no condensation)	
Atmosphere	Must be free from corrosive gases.	
Ambient storage temperature	-20 to 75°C	
Grounding	Less than 100 Ω	
Enclosure	Mounted in panel	
Weight	470 g max.	490 g max.
CPU Rack dimensions	174.7 to 484.7 × 90 × 90 mm (W × D × H) (not including cables) W = 70 (Power Supply Unit) + 90 (CPU Unit) + 20 × n + 31 × m + 14.7 (end cover) n is the number of 32-point I/O Units or I/O Control Units and m is the number of other Units.	
Safety measures	Conforms to cULus, EC Directives, NK, LR, RCM, and KC.	

*1. The AC and DC values above are given for a cold start, and the AC values are at room temperature. The AC inrush control circuit uses a thermistor element with a low-temperature current control characteristic. If the ambient temperature is high or the Controller is hot-started, the thermistor will not be sufficiently cool, and the inrush current given in the table may be exceeded by up to twice the given value. The DC inrush control circuit uses a capacitor-charging delay circuit. If the power is OFF for only a short time for a hot-start, the capacitor will not sufficiently discharge and the inrush current given in the table may be exceeded by up to twice the given value. An inrush current of approximately 4 A may occur and continue for 1 s when the power is turned ON. When selecting fuses, breakers, and external DC power supply devices for external circuits, allow sufficient margin in shut-off performance.

*2. Internal components in the Power Supply Unit will deteriorate or be damaged if the Power Supply Unit is used for an extended period of time exceeding the power supply output capacity or if the outputs are shorted.

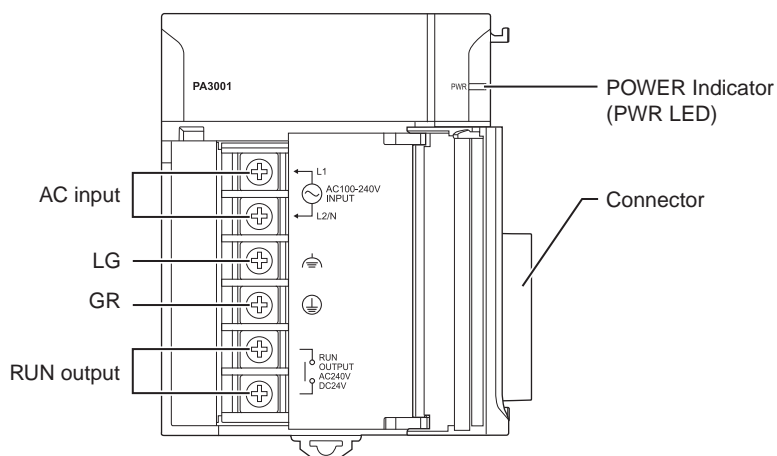
*3. Supported only when mounted to CPU Rack.

*4. The tests can also be performed with the LG terminal and GR terminal connected to each other.

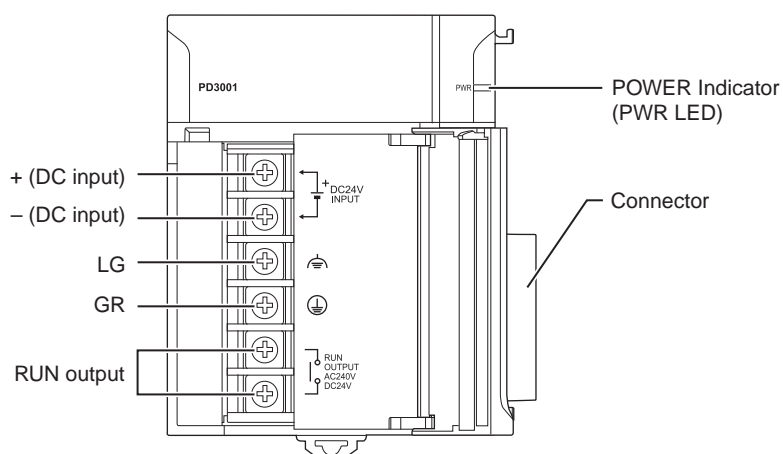
*5. Change the applied voltage gradually using the adjuster on the Tester. If the full dielectric strength voltage is applied or turned OFF using the switch on the Tester, the generated impulse voltage may damage the Power Supply Unit.

External Interface

NJ-PA3001



NJ-PD3001



AC Input

Supply 100 to 240 VAC (allowable: 85 to 264 VAC).

The NJ-PA3001 has a wide input range, so it does not have voltage switching terminals.

DC Input

Supply 24 VDC (allowable: 19.2 to 28.8 VDC.)

LG

Ground to a resistance of 100 Ω or less to increase noise resistance and avoid electric shock.

GR

Ground to a resistance of 100 Ω or less to avoid electric shock.

RUN Output

The internal contacts for the RUN output turn ON when the CPU Unit is in RUN status.

Wiring

●About Power Supply

For AC/DC power supply

Recommended wire diameter	AWG 14 to 20 (Cross section 0.517 to 2.08 mm ²)
---------------------------	--

For grounding wire

Recommended wire diameter	2 mm ² or thicker
---------------------------	------------------------------

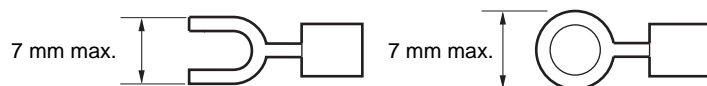
●Crimp Terminals

The terminals on the Power Supply Unit are M4, self-raising terminals with screws.

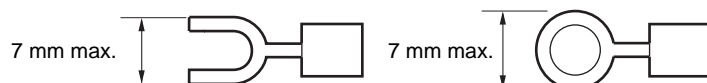
Crimp Terminals for AC Power Supplies



Crimp Terminals for DC Power Supplies



Crimp terminal for the grounding wire



Precautions for Use

Compatible CPU Models

NJ-PA3001/NJ-PD3001 are dedicated for NJ-series.

Please make sure to use NJ-PA3001/NJ-PD3001 for all products including NJ-series CPU rack and expansion rack.

Power Supply Units Current Consumption

Checking Current Consumption and Power Consumption

After selecting a Power Supply Unit based on considerations such as the power supply voltage, calculate the current and power requirements for each Rack.

Condition 1: Current Requirements

There are two voltage groups for internal power consumption: 5 V and 24 V.

Current consumption at 5 V (internal logic power supply)

Current consumption at 24 V (relay driving power supply)

Condition 2: Power Requirements

For each Rack, the upper limits are determined for the current and power that can be provided to the mounted Units. Design the system so that the total current consumption for all the mounted Units does not exceed the maximum total power or the maximum current supplied for the voltage groups shown in the following tables.

The maximum current and total power supplied for CPU Racks and Expansion Racks according to the Power Supply Unit model are shown below.

Note: 1. For CPU Racks, include the CPU Unit current and power consumption in the calculations. When expanding, also include the current and power consumption of the I/O Control Unit in the calculations.

2. For Expansion Racks, include the I/O Interface Unit current and power consumption in the calculations.

Power Supply Units	Max. current supplied			(C) Max. total power supplied
	(A) 5-VDC CPU Racks*	(A)5-VDC Expansion Rack	(B) 24 VDC	
NJ-PA3001	6.0 A	6.0 A	1.0 A	30 W
NJ-PD3001	6.0 A	6.0 A	1.0 A	30 W

* Including supply to the CPU Unit.

Conditions 1 and 2 below must be satisfied.

Condition 1: Maximum Current

(1) Total Unit current consumption at 5 V \leq (A) value

(2) Total Unit current consumption at 24 V \leq (B) value

Condition 2: Maximum Power

(1) \times 5 V + (2) \times 24 V \leq (C) value

Example: Calculating Total Current and Power Consumption

Example: When the Following Units are Mounted to a NJ-Series CPU Rack Using a NJ-PA3001 Power Supply Unit

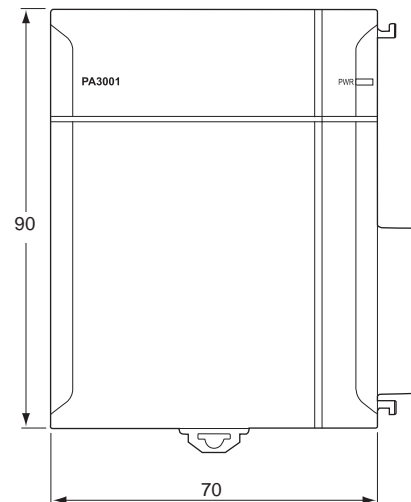
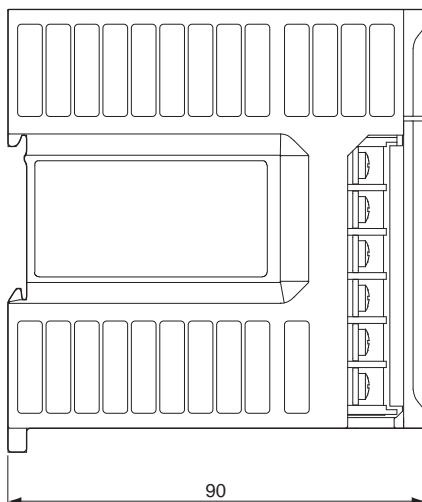
Unit type	Model	Quantity	Voltage group	
			5 V	24 V
CPU Unit	NJ501-1500	1	1.90 A	-
I/O Control Unit	CJ1W-IC101	1	0.02 A	-
Basic I/O Units (Input Units)	CJ1W-ID211	2	0.08 A	-
	CJ1W-ID231	2	0.09 A	-
Basic I/O Units (Output Units)	CJ1W-OC201	2	0.09 A	0.048 A
Special I/O Unit	CJ1W-DA041	1	0.12 A	-
CPU Bus Unit	CJ1W-SCU22	1	0.28 A	-
Current consumption	Total		$1.9\text{ A} + 0.02\text{ A} + 0.08\text{ A} \times 2 + 0.09\text{ A} \times 2 + 0.09\text{ A} \times 2 + 0.12\text{ A} + 0.28$	$0.048\text{ A} \times 2$
	Result		2.84 A ($\leq 6.0\text{ A}$)	0.096 A ($\leq 1.0\text{ A}$)
Power consumption	Total		$2.84 \times 5\text{ V} = 14.2\text{ W}$	$0.096\text{ A} \times 24\text{ V} = 2.3\text{ W}$
	Result		$14.2\text{ W} + 2.3\text{ W} = 16.5\text{ W} (\leq 30\text{ W})$	

Using the Sysmac Studio to Display Current Consumption and Width

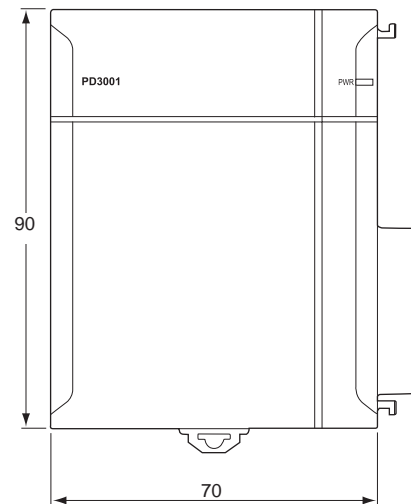
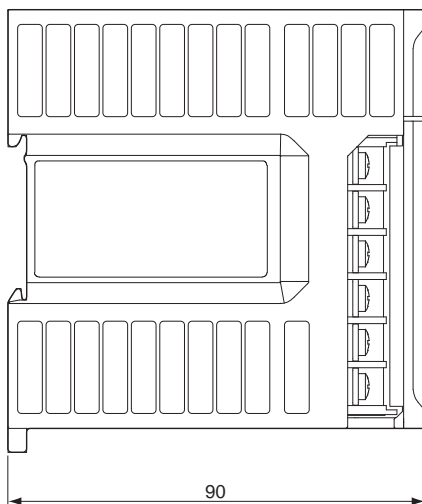
CPU Rack and Expansion Rack current consumption and width can be displayed by selecting **CPU/Expansion Racks** from the **Configurations and Setup** in the Multiview Explorer. If the capacity of the Power Supply Unit is exceeded, an error icon is displayed in the power supply unit of a corresponding rack. For details, refer to Sysmac Studio Operation manual (W504).

Dimensions

NJ-PA3001



NJ-PD3001



Related Manuals

Manual name	Cat. No.	Model numbers	Application	Description
NJ-series CPU Unit Hardware User's Manual	W500	NJ501-□□□□	Learning the basic specifications of the NJ-series CPU Units, including introductory information, designing, installation, and maintenance. Mainly hardware information is provided.	An introduction to the entire NJ-series system is provided along with the following information on a Controller built with an NJ501 CPU Unit. <ul style="list-style-type: none"> • Features and system configuration • Introduction • Part names and functions • General specifications • Installation and wiring • Maintenance and inspection Use this manual together with the <i>NJ-series CPU Unit Software User's Manual</i> (Cat. No. W501).

Terms and Conditions Agreement

Read and understand this catalog.

Please read and understand this catalog before purchasing the products. Please consult your OMRON representative if you have any questions or comments.

Warranties.

(a) Exclusive Warranty. Omron's exclusive warranty is that the Products will be free from defects in materials and workmanship for a period of twelve months from the date of sale by Omron (or such other period expressed in writing by Omron). Omron disclaims all other warranties, express or implied.

(b) Limitations. OMRON MAKES NO WARRANTY OR REPRESENTATION, EXPRESS OR IMPLIED, ABOUT NON-INFRINGEMENT, MERCHANTABILITY OR FITNESS FOR A PARTICULAR PURPOSE OF THE PRODUCTS. BUYER ACKNOWLEDGES THAT IT ALONE HAS DETERMINED THAT THE PRODUCTS WILL SUITABLY MEET THE REQUIREMENTS OF THEIR INTENDED USE.

Omron further disclaims all warranties and responsibility of any type for claims or expenses based on infringement by the Products or otherwise of any intellectual property right. (c) Buyer Remedy. Omron's sole obligation hereunder shall be, at Omron's election, to (i) replace (in the form originally shipped with Buyer responsible for labor charges for removal or replacement thereof) the non-complying Product, (ii) repair the non-complying Product, or (iii) repay or credit Buyer an amount equal to the purchase price of the non-complying Product; provided that in no event shall Omron be responsible for warranty, repair, indemnity or any other claims or expenses regarding the Products unless Omron's analysis confirms that the Products were properly handled, stored, installed and maintained and not subject to contamination, abuse, misuse or inappropriate modification. Return of any Products by Buyer must be approved in writing by Omron before shipment. Omron Companies shall not be liable for the suitability or unsuitability or the results from the use of Products in combination with any electrical or electronic components, circuits, system assemblies or any other materials or substances or environments. Any advice, recommendations or information given orally or in writing, are not to be construed as an amendment or addition to the above warranty.

See <http://www.omron.com/global/> or contact your Omron representative for published information.

Limitation on Liability: Etc.

OMRON COMPANIES SHALL NOT BE LIABLE FOR SPECIAL, INDIRECT, INCIDENTAL, OR CONSEQUENTIAL DAMAGES, LOSS OF PROFITS OR PRODUCTION OR COMMERCIAL LOSS IN ANY WAY CONNECTED WITH THE PRODUCTS, WHETHER SUCH CLAIM IS BASED IN CONTRACT, WARRANTY, NEGLIGENCE OR STRICT LIABILITY.

Further, in no event shall liability of Omron Companies exceed the individual price of the Product on which liability is asserted.

Suitability of Use.

Omron Companies shall not be responsible for conformity with any standards, codes or regulations which apply to the combination of the Product in the Buyer's application or use of the Product. At Buyer's request, Omron will provide applicable third party certification documents identifying ratings and limitations of use which apply to the Product. This information by itself is not sufficient for a complete determination of the suitability of the Product in combination with the end product, machine, system, or other application or use. Buyer shall be solely responsible for determining appropriateness of the particular Product with respect to Buyer's application, product or system. Buyer shall take application responsibility in all cases.

NEVER USE THE PRODUCT FOR AN APPLICATION INVOLVING SERIOUS RISK TO LIFE OR PROPERTY OR IN LARGE QUANTITIES WITHOUT ENSURING THAT THE SYSTEM AS A WHOLE HAS BEEN DESIGNED TO ADDRESS THE RISKS, AND THAT THE OMRON PRODUCT(S) IS PROPERLY RATED AND INSTALLED FOR THE INTENDED USE WITHIN THE OVERALL EQUIPMENT OR SYSTEM.

Programmable Products.

Omron Companies shall not be responsible for the user's programming of a programmable Product, or any consequence thereof.

Performance Data.

Data presented in Omron Company websites, catalogs and other materials is provided as a guide for the user in determining suitability and does not constitute a warranty. It may represent the result of Omron's test conditions, and the user must correlate it to actual application requirements. Actual performance is subject to the Omron's Warranty and Limitations of Liability.

Change in Specifications.

Product specifications and accessories may be changed at any time based on improvements and other reasons. It is our practice to change part numbers when published ratings or features are changed, or when significant construction changes are made. However, some specifications of the Product may be changed without any notice. When in doubt, special part numbers may be assigned to fix or establish key specifications for your application. Please consult with your Omron's representative at any time to confirm actual specifications of purchased Product.

Errors and Omissions.

Information presented by Omron Companies has been checked and is believed to be accurate; however, no responsibility is assumed for clerical, typographical or proofreading errors or omissions.

2022.10

In the interest of product improvement, specifications are subject to change without notice.

OMRON Corporation
Industrial Automation Company

<http://www.ia.omron.com/>

(c)Copyright OMRON Corporation 2022 All Right Reserved.