

Customer Information Sheet

DRAWING No.: S9341-45R

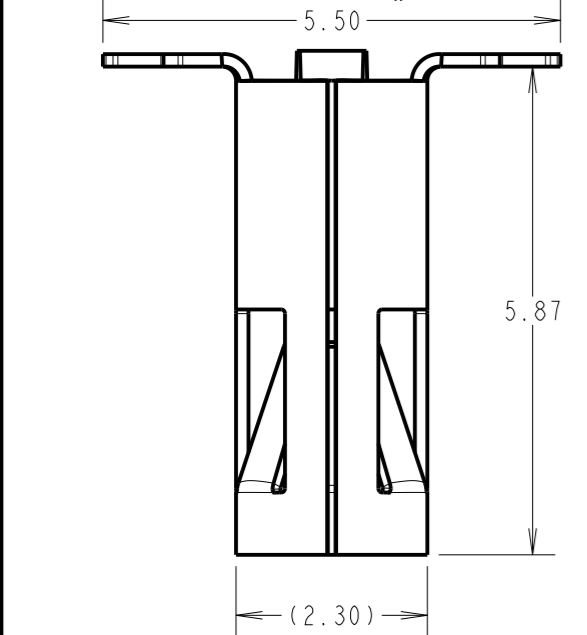
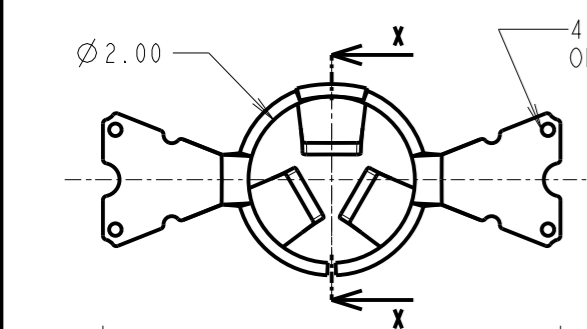
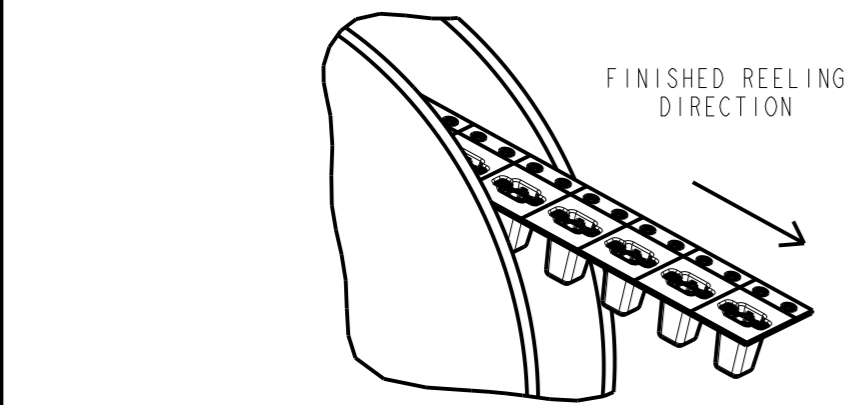
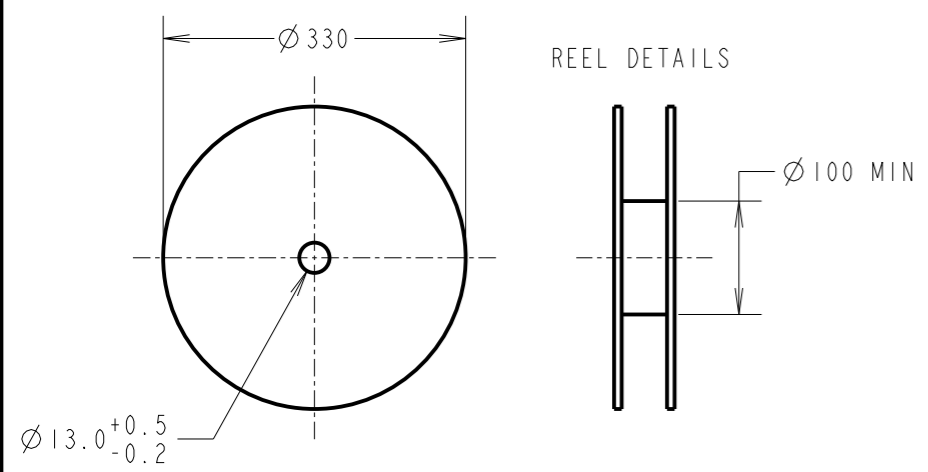
IF IN DOUBT - ASK

©

NOT TO SCALE

THIRD ANGLE PROJECTION

ALL DIMENSIONS IN mm



REEL DETAILS

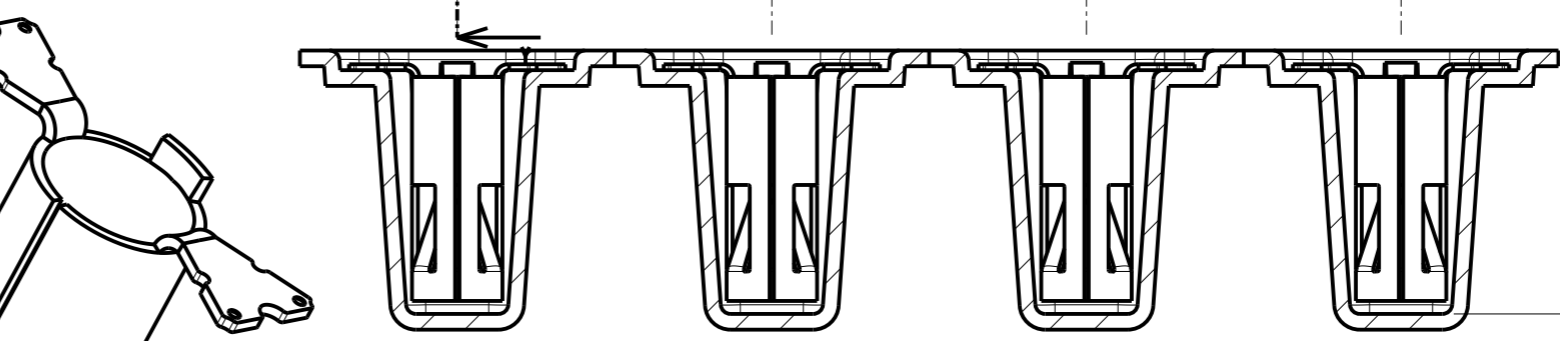
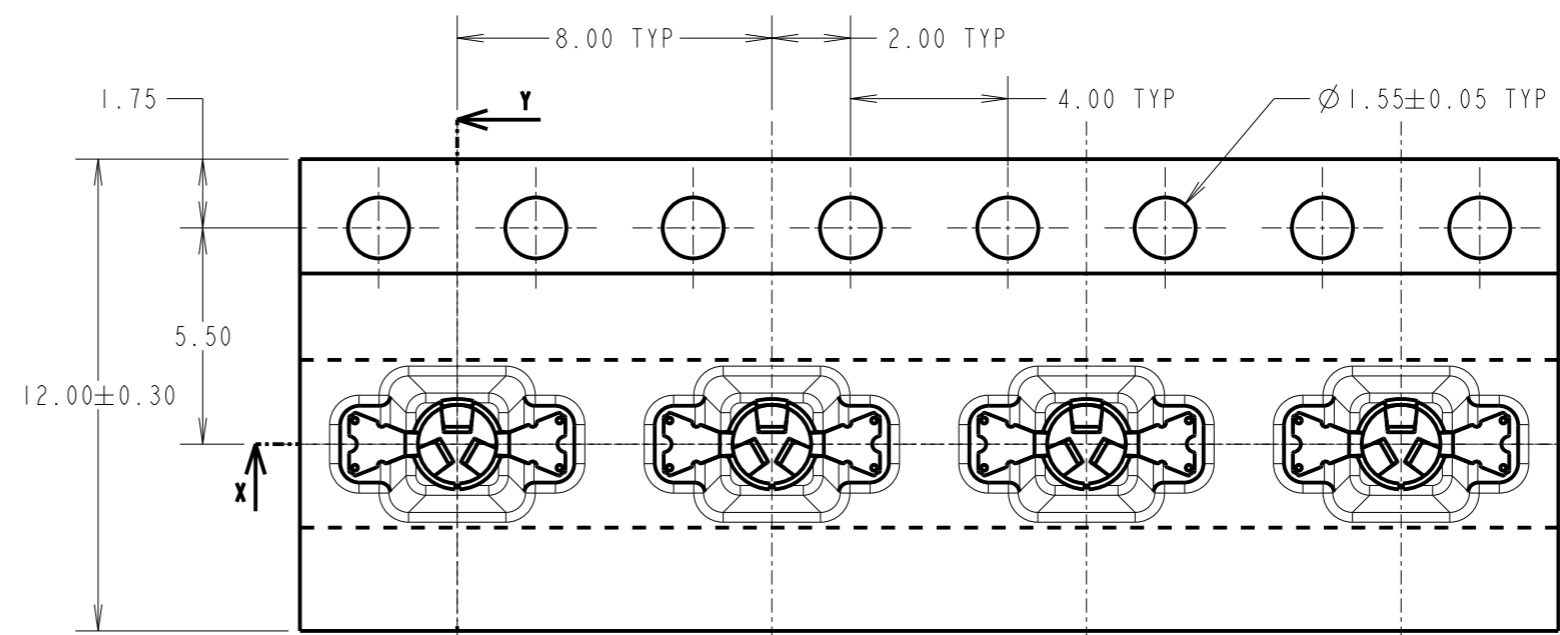
FINISHED REELING DIRECTION

4 x ID MARKING ON TOP SURFACE

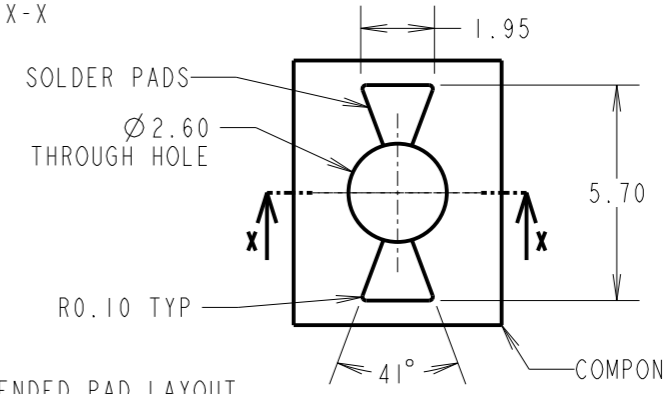
SECTION X-X

6.3 MAX CROP LENGTH

2.6 CONTACT POINT



SECTION X-X



RECOMMENDED PAD LAYOUT (TOLERANCE: ±0.05)

SECTION X-X

COMPONENT SPECIFICATION (TBC):
 MATERIAL = BERYLLIUM COPPER
 FINISH = 0.10µm - 0.17µm GOLD OVER
 1.0µm MIN NICKEL
 ELECTRICAL:
 CURRENT RATING = 8A
 CONTACT RESISTANCE = 15mΩ MAX
 MECHANICAL:
 MAX INSERTION FORCE:
 Ø0.80mm PIN = 3.0N
 Ø1.30mm PIN = 6.0N
 MIN WITHDRAWAL FORCE:
 Ø0.80mm PIN = 0.3N
 Ø1.30mm PIN = 0.6N
 DURABILITY = 500 CYCLES
 ENVIRONMENTAL:
 OPERATING TEMPERATURE = -50°C TO +125°C

NOTES:
 1. QUANTITY OF COMPONENTS PER REEL = 950.
 2. THIS PRODUCT IS TAPED AND REELED IN GENERAL ACCORDANCE WITH EIA-481-2 (ELECTRONICS INDUSTRIES ASSOCIATION).

RTP	1	09.11.21	31205
NAME	ISS.	DATE	CN/CO
APPROVED:		R.ALEXANDER	
CHECKED:		S.BENNETT	
DRAWN:		R.PORTLOCK	
CUSTOMER REF.:			
ASSEMBLY DRG:			

HARWIN
 www.harwin.com
 technical@harwin.com

THIS DRAWING AND ANY INFORMATION OR DESCRIPTIVE MATTER SET OUT HEREON ARE CONFIDENTIAL AND COPYRIGHT PROPERTY OF THE HARWIN GROUP AND MUST NOT BE DISCLOSED, LOANED, COPIED OR USED FOR MANUFACTURING, TENDERING OR FOR ANY OTHER PURPOSE WITHOUT THEIR WRITTEN PERMISSION.

TOLERANCES
 X. = ±1mm
 X.X = ±0.50mm
 X.XX = ±0.20mm
 X.XXX = ±0.01mm
 ANGLES = ±5°
 UNLESS STATED

MATERIAL:
 SEE ABOVE
 FINISH: SEE ABOVE
 S/AREA: mm²

TITLE: SYCAMORE CONTACT
 Ø1.00mm BOTTOM ENTRY SOCKET
 IN TAPE & REEL - 5.87mm
 DRAWING NUMBER: **S9341-45R**
 SHT 2 OF 2