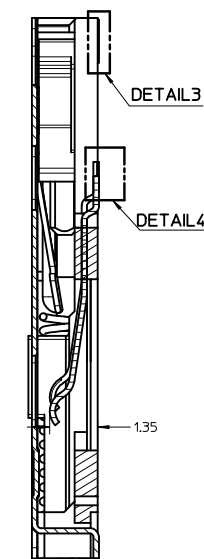
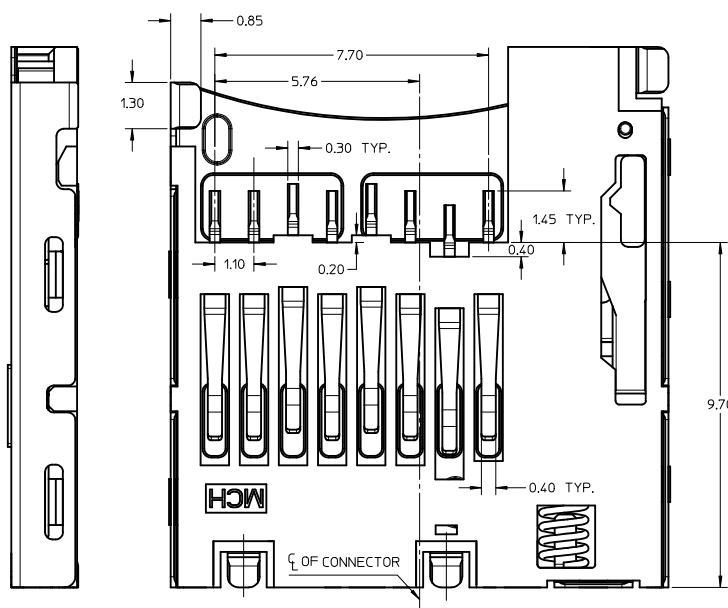
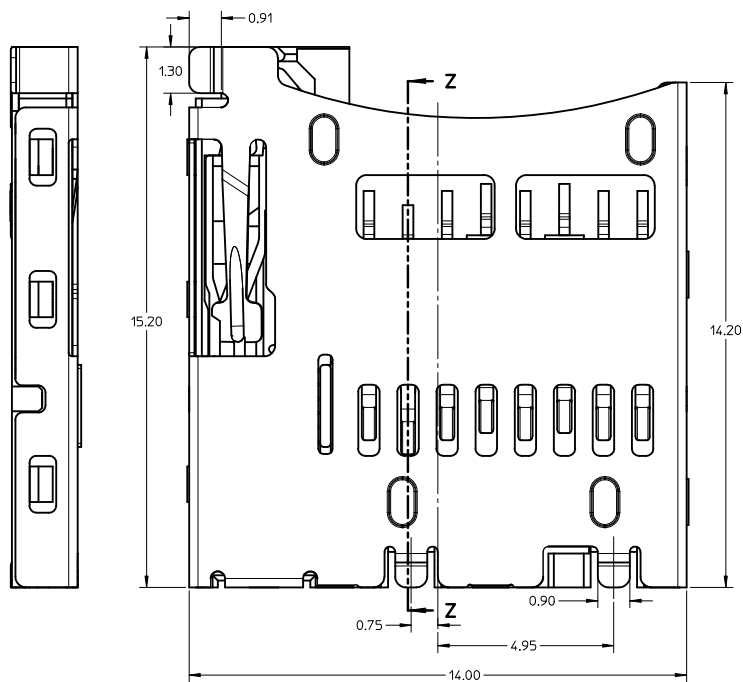
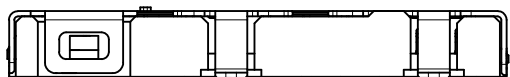


DETAIL 4

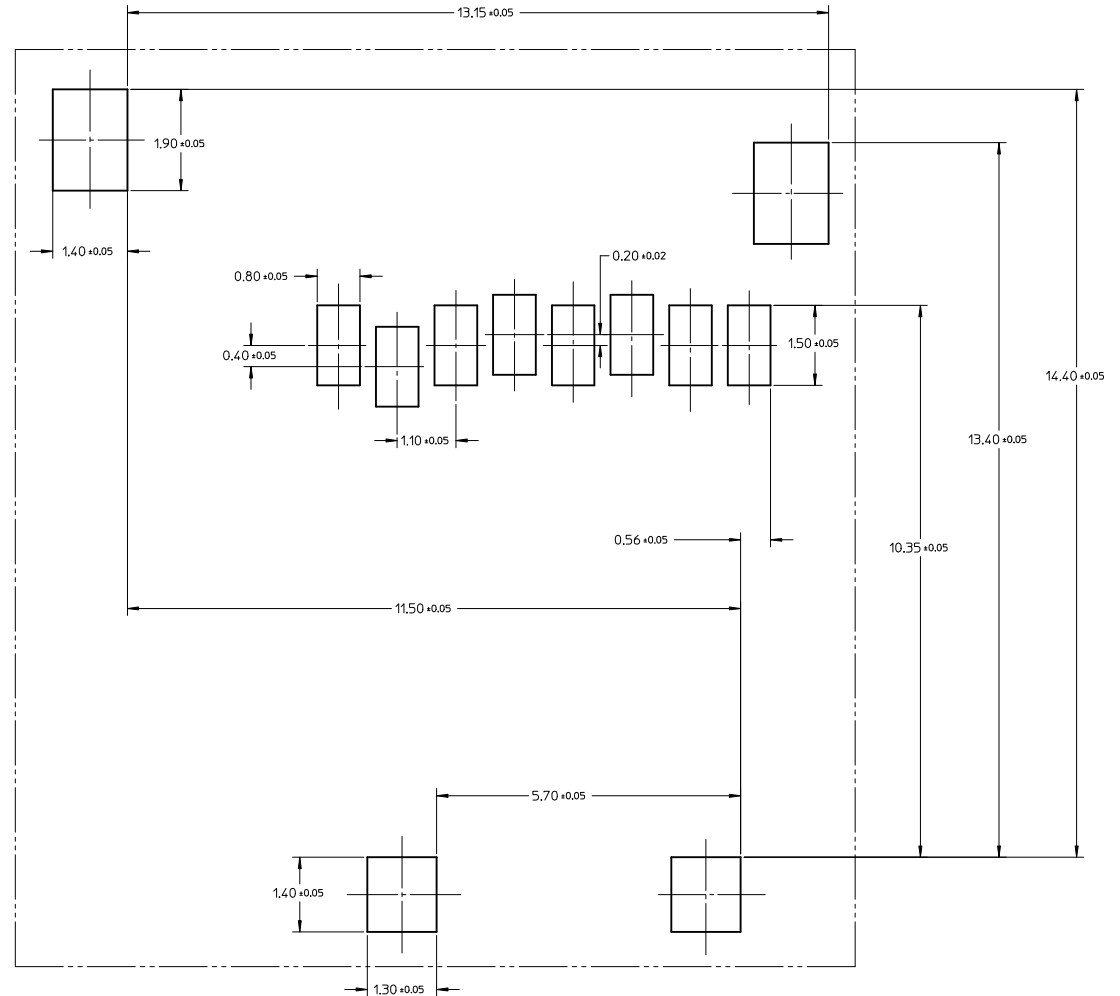
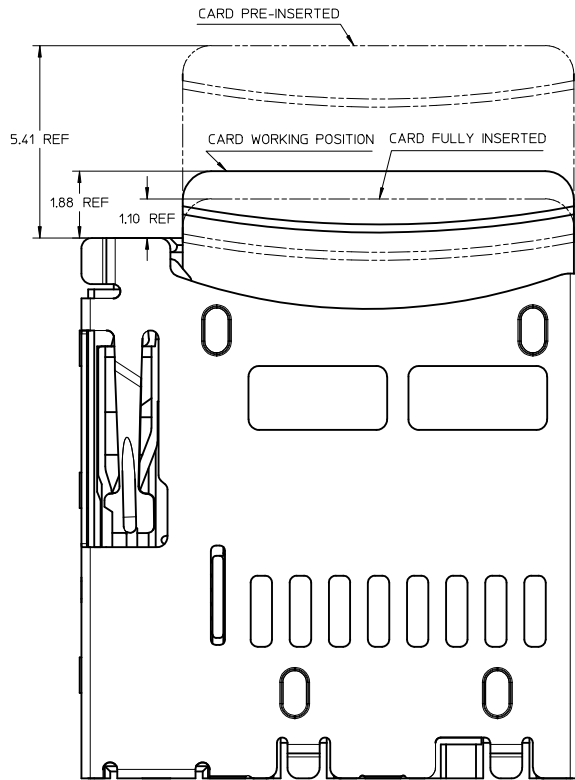
DETAIL 3



SECTION Z-Z



REVISED EC NO: SH2012-0215 DRAWN: GLLI CHKD: APPR: XJSONG	DESCRIPTION 2012/01/05 2012/01/16	QUALITY SYMBOLS		GENERAL TOLERANCES (UNLESS SPECIFIED)		DIMENSION STYLE MM ONLY		SCALE 5:1	DESIGN UNITS METRIC	THIRD ANGLE PROJECTION
		$\nabla=0$	$\nabla=0$	$\nabla=0$	mm	INCH	DRAWN BY GLLI	DATE 2012/01/05	TITLE TFR/MICRO SD CARD READER PUSH PUSH TYPE WITHOUT DETECT PIN	
			4 PLACES ± ---	± ---			CHECKED BY	DATE	MOLEX INCORPORATED	
			3 PLACES ± ---	± ---			APPROVED BY XJSONG	DATE 2012/01/16	DOCUMENT NO. SD-47334-001	
			2 PLACES ± 0.15	± ---			MATERIAL NO. 47334-0001		SHEET NO. 1 OF 2	
			1 PLACE ± 0.30	± ---			THIS DRAWING CONTAINS INFORMATION THAT IS PROPRIETARY TO MOLEX INCORPORATED AND SHOULD NOT BE USED WITHOUT WRITTEN PERMISSION			
			ANGULAR ± 3°		DRAFT WHERE APPLICABLE MUST REMAIN WITHIN DIMENSIONS					

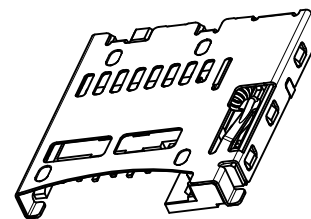
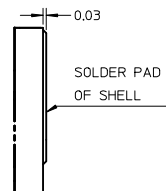
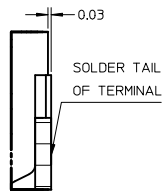
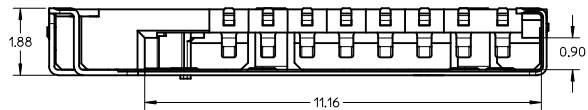


RECOMMENDED PCB LAYOUT

- NOTES:
- 1 MATERIAL:
 - 1-1 TERMINAL, FITTING NAIL : COPPER ALLOY.
 - 1-2 SHELL, CAM PIN, SPRING : STAINLESS STEEL.
 - 1-3 HOUSING : LCP, UL 94-V0, BLACK.
 - 1-4 CAM: NYLON 46.
 - 2 FINISH:
 - 2-1 TERMINAL : NICKEL UNDERPLATED, GOLD PLATING ON CONTACT AREA
TIN PLATING ON SOLDER TAIL
 - 2-2 SHELL : GOLD FLASH OVER NICKEL UNDERPLATED ON SOLDER PAD
 - 3 MECHANICAL SPECIFICATION:
 - REPEATED 5,000 TIMES MATING AND UNMATING CYCLES AND STILL MEET ELECTRICAL CHARACTERISTICS
 - 4 ELECTRICAL SPECIFICATION:
 - 4-1 RATED CURRENT (PER CONTACT) : 0.5AMPS MAX AND TEMPERATURE RISE SHOULD BE 30°C MAX
 - 4-2 INSULATION RESISTANCE(I.R) : 100 MEGOHMS MIN.
 - 4-3 DIELECTRIC WITHSTANDING VOLTAGE : 500 VAC
 - 4-4 CONTACT RESISTANCE: 100 MILLIOHMS MAX

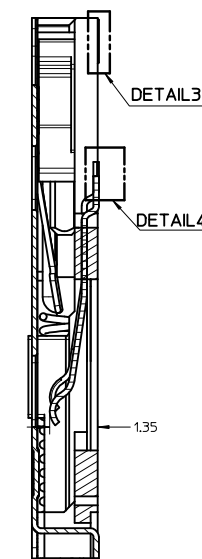
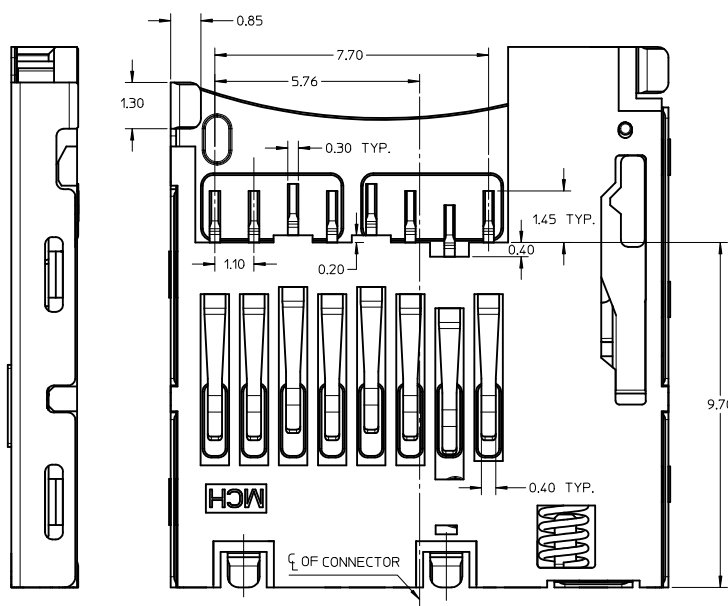
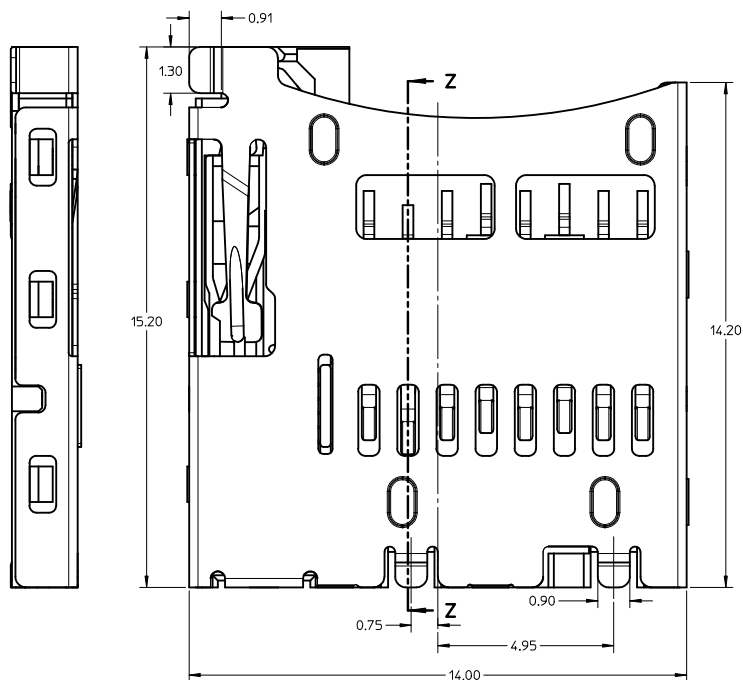
REVISED EC NO: SF2012-0215 DRW:GLL CHKD: APPR:XJSONG 2012/01/05 2012/01/16	DESCRIPTION XJSONG	QUALITY SYMBOLS		GENERAL TOLERANCES (UNLESS SPECIFIED)		DIMENSION STYLE		SCALE	DESIGN UNITS	THIRD ANGLE PROJECTION	
						MM ONLY		10:1	METRIC		
		$\nabla=0$ $\nabla=0$ $\nabla=0$		4 PLACES ± --- ± --- 3 PLACES ± --- ± --- 2 PLACES ± 0.15 ± --- 1 PLACE ± 0.30 ± ---		DRAWN BY DATE GLLI 2012/01/05 CHECKED BY DATE		TITLE		TFR/MICRO SD CARD READER PUSH PUSH TYPE WITHOUT DETECT PIN	
		DRAFT WHERE APPLICABLE MUST REMAIN WITHIN DIMENSIONS		ANGULAR ± 3 °		APPROVED BY DATE XJSONG 2012/01/16 MATERIAL NO.		MOLEX INCORPORATED DOCUMENT NO.		SD-47334-001 SHEET NO. 2 OF 2	

SIZE A2 THIS DRAWING CONTAINS INFORMATION THAT IS PROPRIETARY TO MOLEX INCORPORATED AND SHOULD NOT BE USED WITHOUT WRITTEN PERMISSION

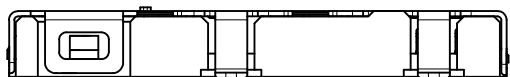


DETAIL 4

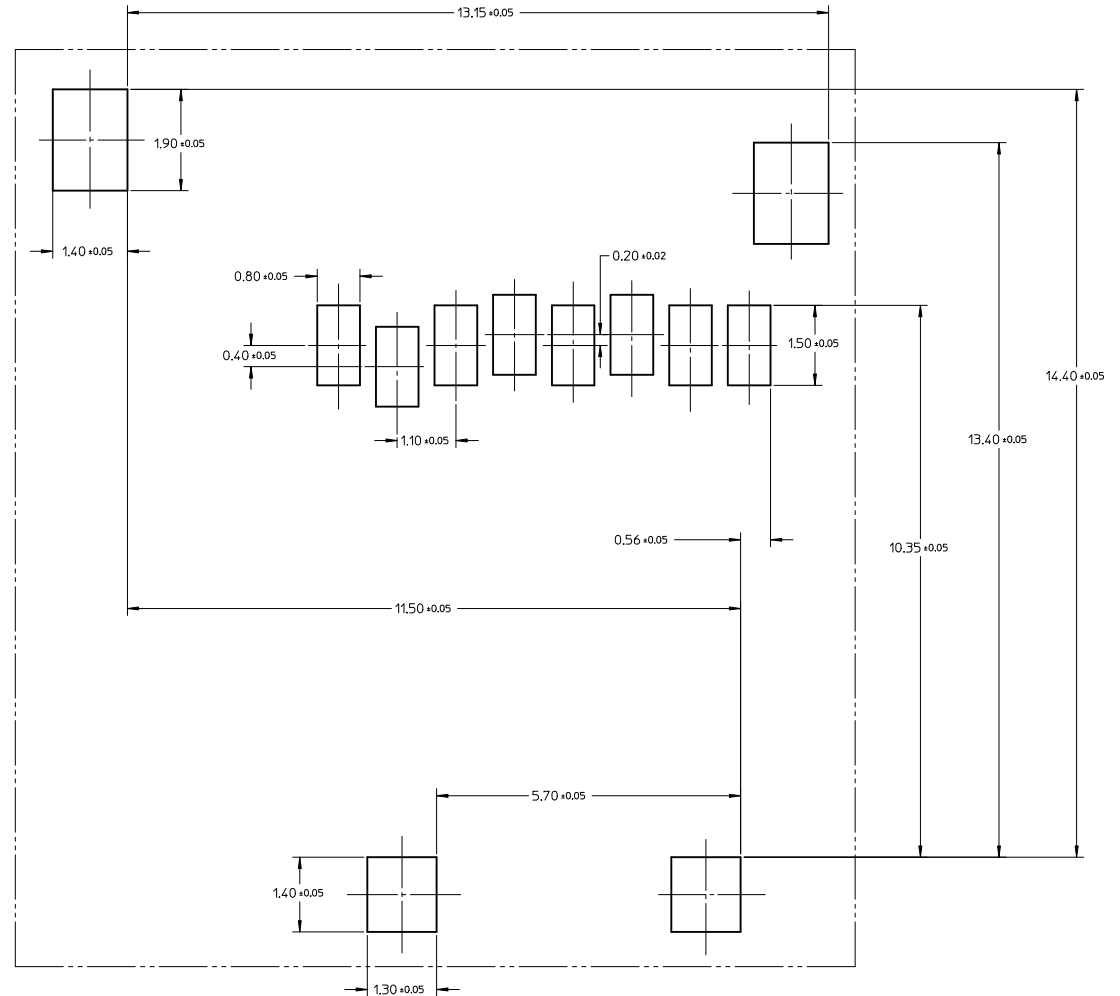
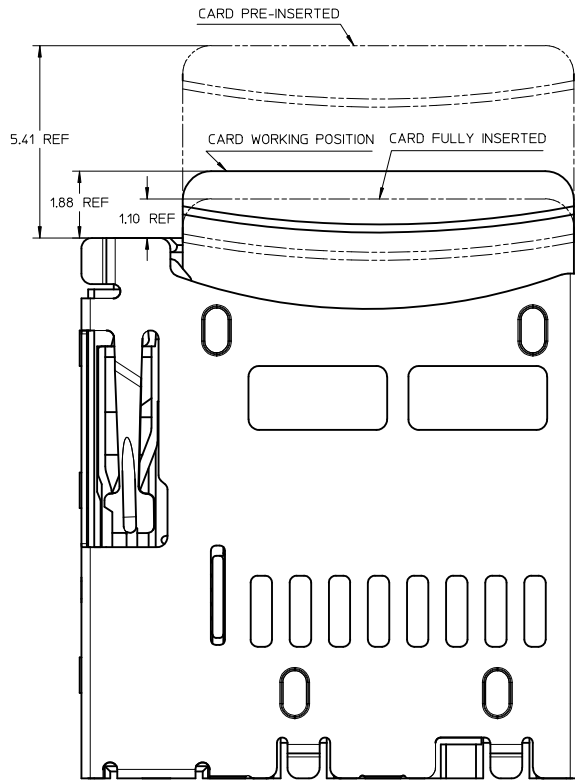
DETAIL 3



SECTION Z-Z



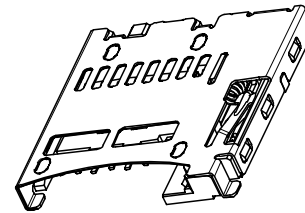
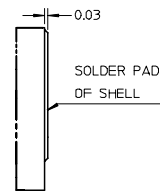
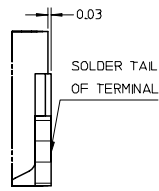
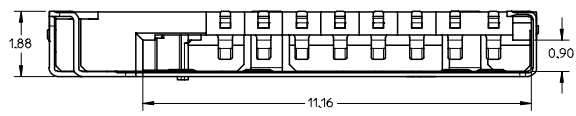
REVISED EC NO: SH2012-0215 DRAWN: GLLI CHKD: APPR: XJSONG	DESCRIPTION 2012/01/05 2012/01/16	QUALITY SYMBOLS		GENERAL TOLERANCES (UNLESS SPECIFIED)		DIMENSION STYLE MM ONLY		SCALE 5:1	DESIGN UNITS METRIC	THIRD ANGLE PROJECTION
		$\nabla=0$	$\nabla=0$	$\nabla=0$	mm	INCH	DRAWN BY GLLI	DATE 2012/01/05	TITLE TFR/MICRO SD CARD READER PUSH PUSH TYPE WITHOUT DETECT PIN	
					4 PLACES ± ---	± ---	CHECKED BY	DATE	MOLEX INCORPORATED	
					3 PLACES ± ---	± ---	APPROVED BY XJSONG	DATE 2012/01/16	DOCUMENT NO. SD-47334-001	
					2 PLACES ± 0.15	± ---	MATERIAL NO. 47334-0001		SHEET NO. 1 OF 2	
					1 PLACE ± 0.30	± ---	THIS DRAWING CONTAINS INFORMATION THAT IS PROPRIETARY TO MOLEX INCORPORATED AND SHOULD NOT BE USED WITHOUT WRITTEN PERMISSION			
					ANGULAR ± 3°					
					DRAFT WHERE APPLICABLE MUST REMAIN WITHIN DIMENSIONS					



RECOMMENDED PCB LAYOUT

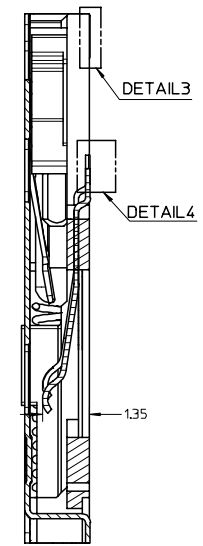
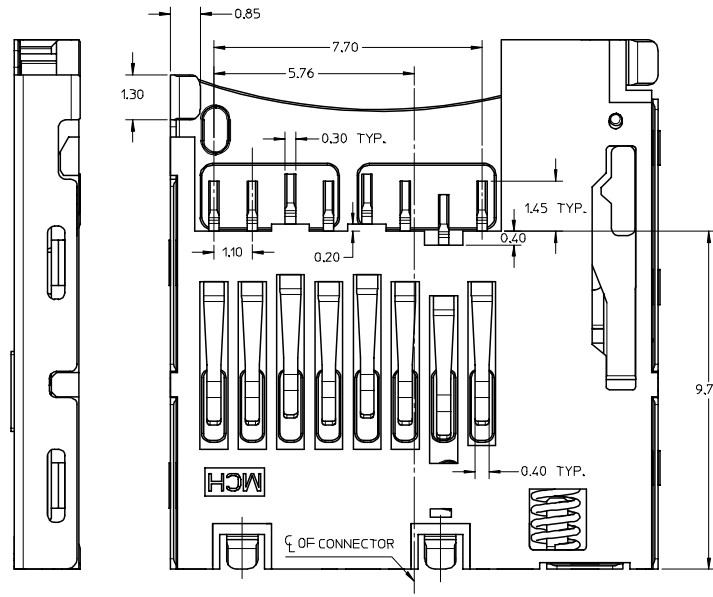
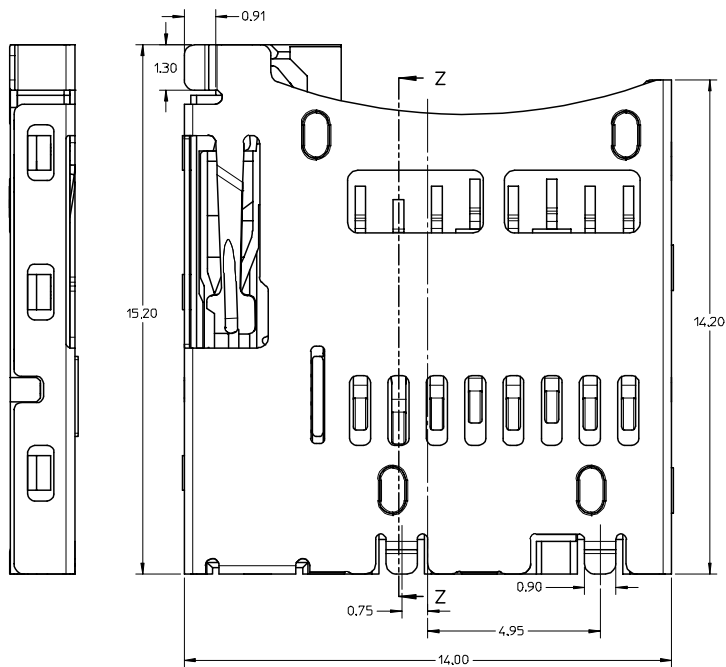
- NOTES:
- 1 MATERIAL:
 - 1-1 TERMINAL, FITTING NAIL : COPPER ALLOY.
 - 1-2 SHELL, CAM PIN, SPRING : STAINLESS STEEL.
 - 1-3 HOUSING : LCP, UL 94-V0, BLACK.
 - 1-4 CAM: NYLON 46.
 - 2 FINISH:
 - 2-1 TERMINAL : NICKEL UNDERPLATED, GOLD PLATING ON CONTACT AREA
TIN PLATING ON SOLDER TAIL
 - 2-2 SHELL : GOLD FLASH OVER NICKEL UNDERPLATED ON SOLDER PAD
 - 3 MECHANICAL SPECIFICATION:
 - REPEATED 5,000 TIMES MATING AND UNMATING CYCLES AND STILL MEET ELECTRICAL CHARACTERISTICS
 - 4 ELECTRICAL SPECIFICATION:
 - 4-1 RATED CURRENT (PER CONTACT) : 0.5AMPS MAX AND TEMPERATURE RISE SHOULD BE 30°C MAX
 - 4-2 INSULATION RESISTANCE(I.R) : 100 MEGOHMS MIN.
 - 4-3 DIELECTRIC WITHSTANDING VOLTAGE : 500 VAC
 - 4-4 CONTACT RESISTANCE: 100 MILLIOHMS MAX

REVISED EC NO: SF2012-0215 DRW:GLL CHKD: APPR:XJSONG 2012/01/05 2012/01/16	DESCRIPTION XJSONG	QUALITY SYMBOLS		GENERAL TOLERANCES (UNLESS SPECIFIED)		DIMENSION STYLE		SCALE	DESIGN UNITS	THIRD ANGLE PROJECTION
		$\nabla=0$ $\nabla=0$ $\nabla=0$		mm INCH 4 PLACES ± --- ± --- 3 PLACES ± --- ± --- 2 PLACES ± 0.15 ± --- 1 PLACE ± 0.30 ± --- ANGULAR ± 3°		MM ONLY DRAWN BY DATE GLLI 2012/01/05 CHECKED BY DATE		10:1	METRIC	
		DRAFT WHERE APPLICABLE MUST REMAIN WITHIN DIMENSIONS		APPROVED BY DATE XJSONG 2012/01/16 MATERIAL NO.		TITLE TFR/MICRO SD CARD READER PUSH PUSH TYPE WITHOUT DETECT PIN MOLEX INCORPORATED		DOCUMENT NO. SD-47334-001		SHEET NO.
				SIZE A2		47334-0001		2 OF 2		THIS DRAWING CONTAINS INFORMATION THAT IS PROPRIETARY TO MOLEX INCORPORATED AND SHOULD NOT BE USED WITHOUT WRITTEN PERMISSION

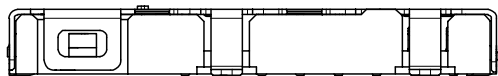


DETAIL 4

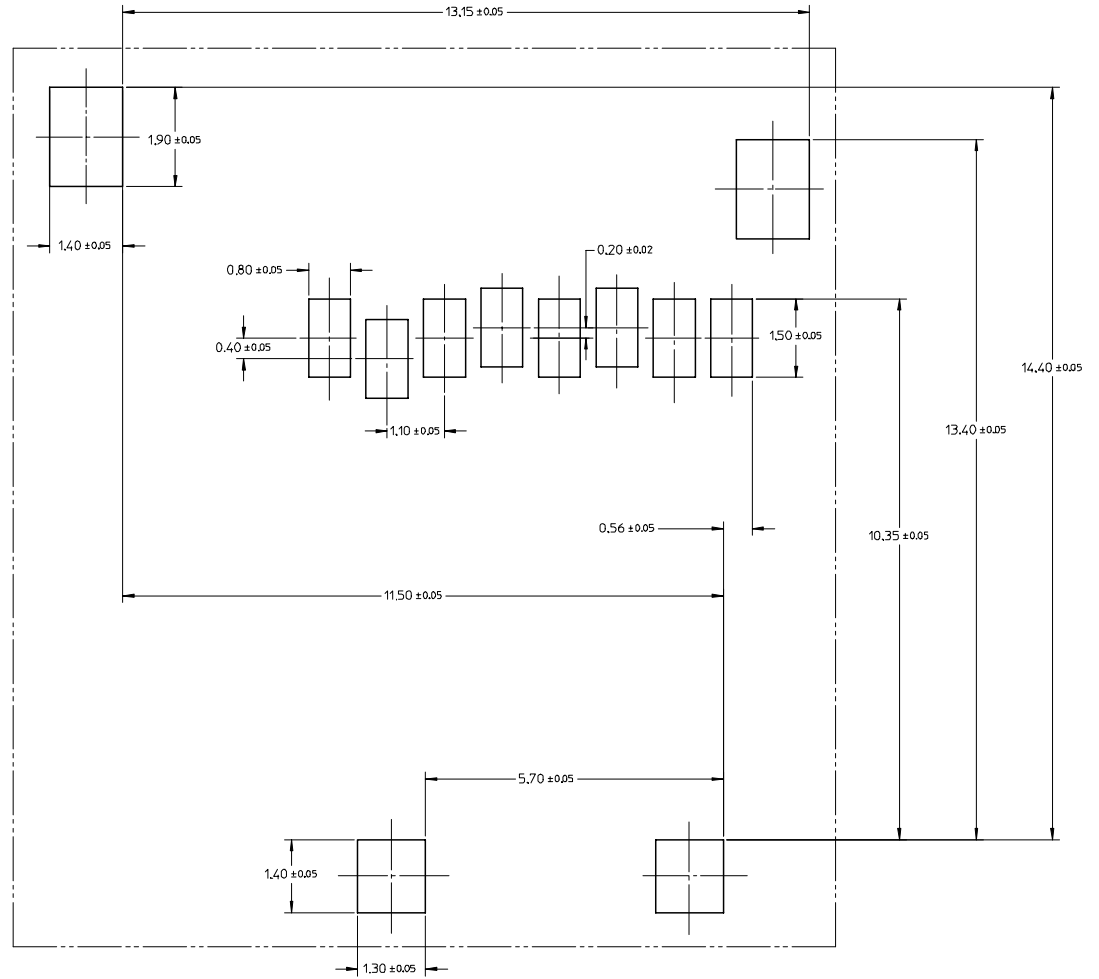
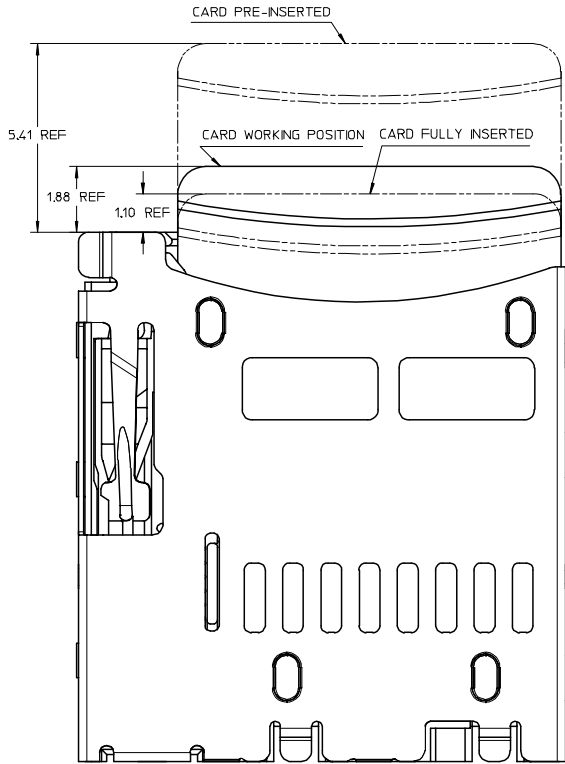
DETAIL 3



SECTION Z-Z



REVISED EEC NO.: SH2007-0499 2007/02/12 CHFKD: XU XIANG APPR: JNCHEN 2007/03/16	DESCRIPTION TFR&MICRO SD CARD READER PUSH PUSH TYPE WITHOUT DETECT SWITCH	QUALITY SYMBOLS ▽=0 ▽=0		GENERAL TOLERANCES (UNLESS SPECIFIED)		DIMENSION STYLE MM ONLY		SCALE 5:1	DESIGN UNITS METRIC	THIRD ANGLE PROJECTION		
				4 PLACES ± --- ± --- 3 PLACES ± --- ± --- 2 PLACES ± 0.15 ± --- 1 PLACE ± --- ± --- ANGULAR ± 1/2°	mm INCH	DRAWN BY XIXU	DATE 2006/03/25	TITLE TFR&MICRO SD CARD READER PUSH PUSH TYPE WITHOUT DETECT SWITCH				
				DRAFT WHERE APPLICABLE MUST REMAIN WITHIN DIMENSIONS		MATERIAL NO. 473340001		APPROVED BY JNCHEN		DATE 2006/03/29		MOLEX INCORPORATED
						DOCUMENT NO. SD-47334-001		SHEET NO. 1 OF 2				

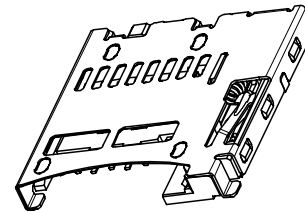
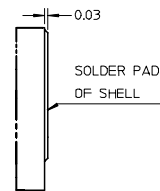
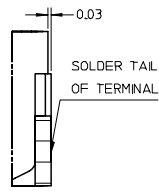
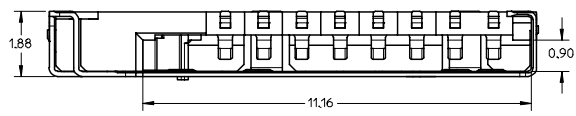


RECOMMENDED PCB LAYOUT

NOTES:

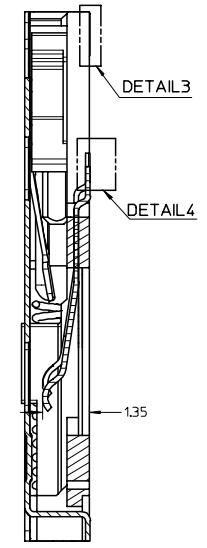
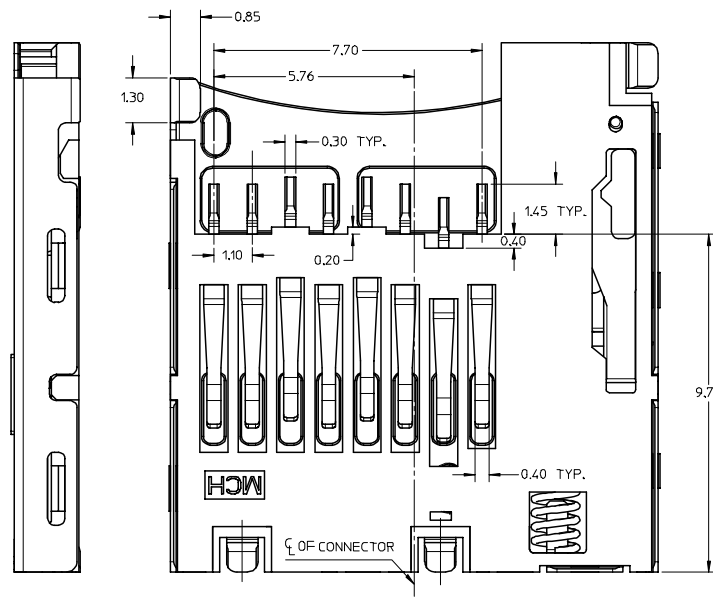
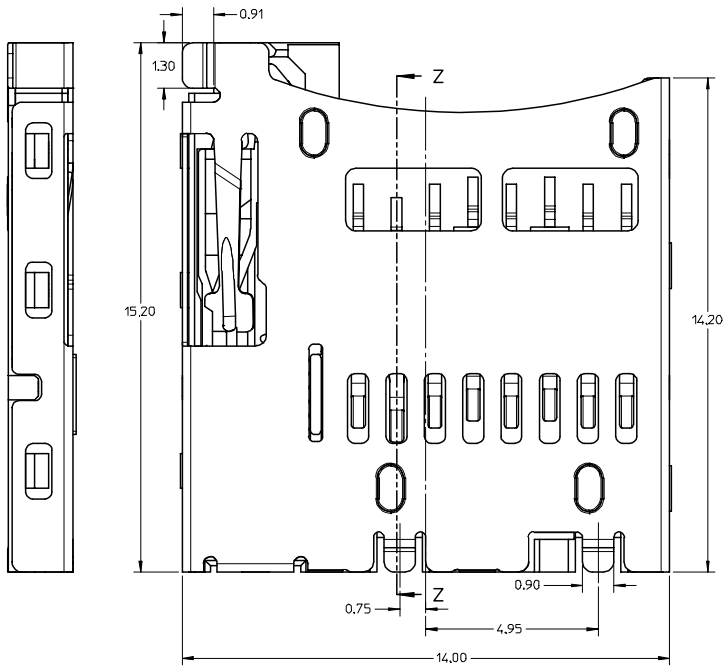
- 1 MATERIAL:
 - 1-1 TERMINAL, FITTING NAIL : COPPER ALLOY
 - 1-2 SHELL, CAM PIN, SPRING : STAINLESS STEEL
 - 1-3 HOUSING, CAM : LCP, UL 94-V0, BLACK
- 2 FINISH:
 - 2-1 TERMINAL : NICKEL UNDERPLATED, GOLD PLATING ON CONTACT AREA
TN PLATING ON SOLDER TAIL
 - 2-2 SHELL : GOLD FLASH OVER NICKEL UNDERPLATED ON SOLDER PAD
- 3 MECHANICAL SPECIFICATION:
 - REPEATED 5,000 TIMES MATING AND UNMATING CYCLES AND STILL MEET ELECTRICAL CHARACTERISTICS
- 4 ELECTRICAL SPECIFICATION:
 - 4-1 RATED CURRENT (PER CONTACT) : 0.5AMPS MAX AND TEMPERATURE RISE SHOULD BE 30°C MAX
 - 4-2 INSULATION RESISTANCE(IR) : 100 MEGOHMS MIN.
 - 4-3 DIELECTRIC WITHSTANDING VOLTAGE : 500 VAC
 - 4-4 CONTACT RESISTANCE: 100 MILLIOHMS MAX

REVISED EIC NO.: SH2007-0499 DRWN: ZHOU 2007/02/12 CHKD: XU XIANG APPR: JINCHEN 2007/03/16 REV DESCRIPTION	QUALITY SYMBOLS	GENERAL TOLERANCES (UNLESS SPECIFIED)	DIMENSION STYLE	SCALE	DESIGN UNITS	THIRD ANGLE PROJECTION												
	$\nabla=0$ $\nabla=0$	<table border="1"> <tr><th>mm</th><th>INCH</th></tr> <tr><td>4 PLACES ± ---</td><td>± ---</td></tr> <tr><td>3 PLACES ± ---</td><td>± ---</td></tr> <tr><td>2 PLACES ± 0.15</td><td>± ---</td></tr> <tr><td>1 PLACE ± ---</td><td>± ---</td></tr> <tr><td colspan="2">ANGULAR ± 1/2°</td></tr> </table>	mm	INCH	4 PLACES ± ---	± ---	3 PLACES ± ---	± ---	2 PLACES ± 0.15	± ---	1 PLACE ± ---	± ---	ANGULAR ± 1/2°		MM ONLY	10:1	METRIC	
	mm	INCH																
	4 PLACES ± ---	± ---																
3 PLACES ± ---	± ---																	
2 PLACES ± 0.15	± ---																	
1 PLACE ± ---	± ---																	
ANGULAR ± 1/2°																		
					TITLE TFR&MICRO SD CARD READER PUSH PUSH TYPE WITHOUT DETECT SWITCH													
					MOLEX INCORPORATED MATERIAL NO. 473340001 DOCUMENT NO. SD-47334-001													
					SHEET NO. 2 OF 2 DRAFT WHERE APPLICABLE MUST REMAIN WITHIN DIMENSIONS THIS DRAWING CONTAINS INFORMATION THAT IS PROPRIETARY TO MOLEX INCORPORATED AND SHOULD NOT BE USED WITHOUT WRITTEN PERMISSION													

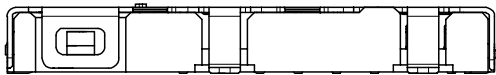


DETAIL 4

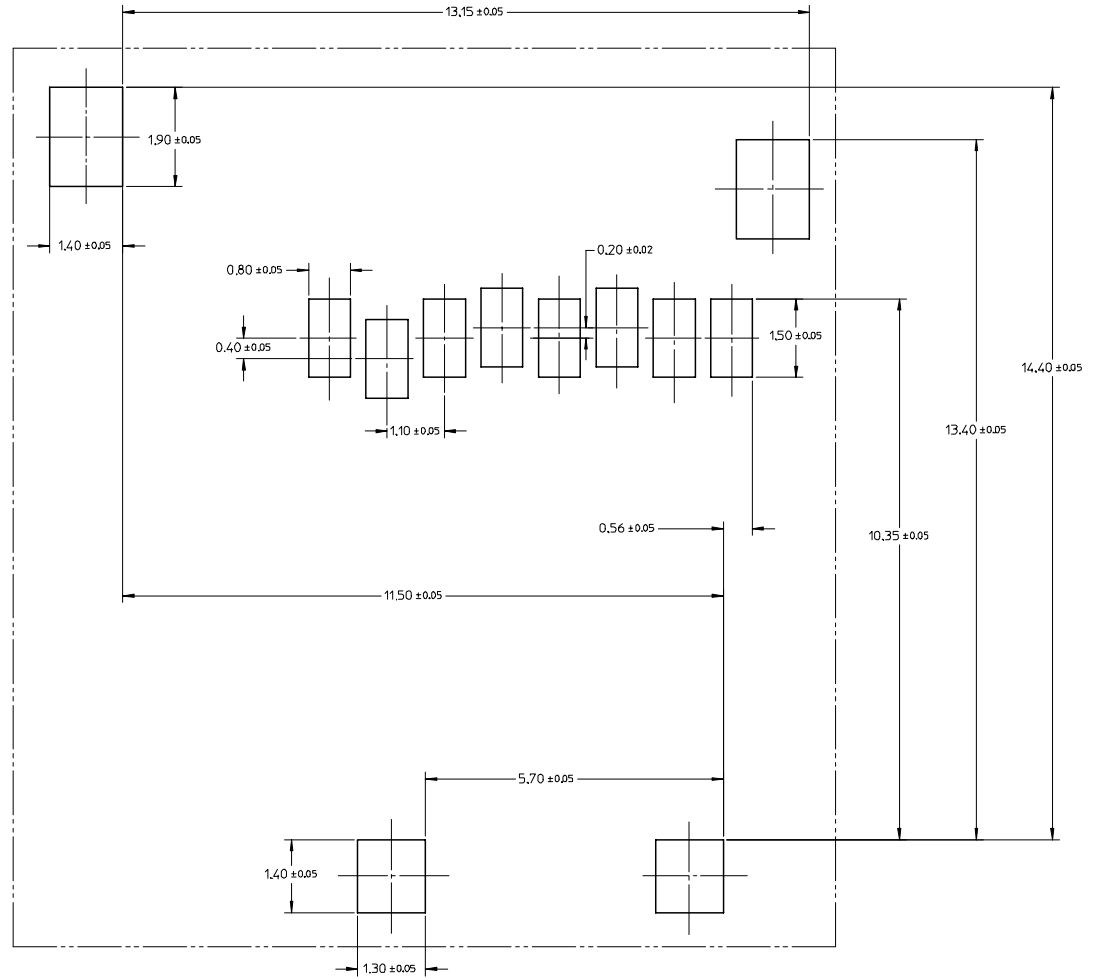
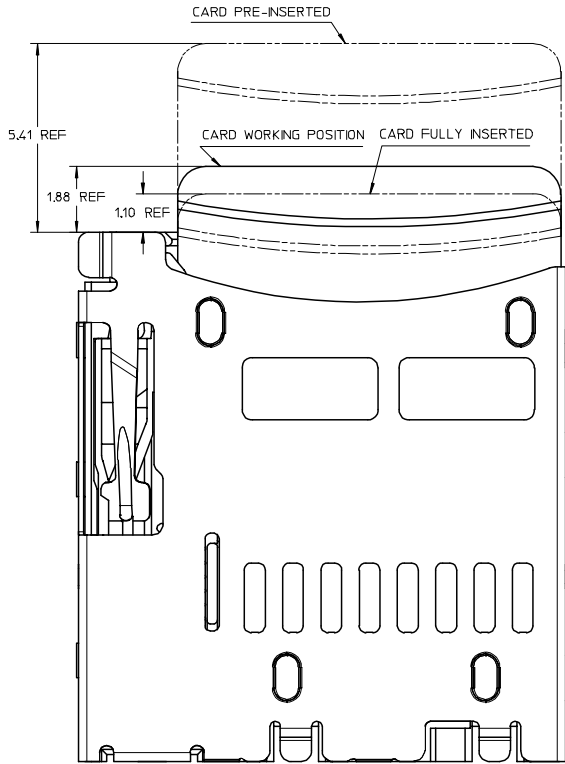
DETAIL 3



SECTION Z-Z



REVISED EEC NO.: SH2007-0499 DRAWN: ZHOU 2007/02/12 CHKD: XU XIANG APPR: JINCHEN 2007/03/16 REV DESCRIPTION	QUALITY SYMBOLS	GENERAL TOLERANCES (UNLESS SPECIFIED)	DIMENSION STYLE	SCALE	DESIGN UNITS	THIRD ANGLE PROJECTION																		
	$\nabla=0$ $\nabla=0$	<table border="1"> <tr> <th></th> <th>mm</th> <th>INCH</th> </tr> <tr> <td>4 PLACES</td> <td>\pm---</td> <td>\pm---</td> </tr> <tr> <td>3 PLACES</td> <td>\pm---</td> <td>\pm---</td> </tr> <tr> <td>2 PLACES</td> <td>\pm0.15</td> <td>\pm---</td> </tr> <tr> <td>1 PLACE</td> <td>\pm---</td> <td>\pm---</td> </tr> <tr> <td colspan="3">ANGULAR $\pm 1/2^\circ$</td> </tr> </table>		mm	INCH	4 PLACES	\pm ---	\pm ---	3 PLACES	\pm ---	\pm ---	2 PLACES	\pm 0.15	\pm ---	1 PLACE	\pm ---	\pm ---	ANGULAR $\pm 1/2^\circ$			MM ONLY	5:1	METRIC	
		mm	INCH																					
	4 PLACES	\pm ---	\pm ---																					
3 PLACES	\pm ---	\pm ---																						
2 PLACES	\pm 0.15	\pm ---																						
1 PLACE	\pm ---	\pm ---																						
ANGULAR $\pm 1/2^\circ$																								
			DRAWN BY	DATE	TITLE																			
			XIXU	2006/03/25	TFR&MICRO SD CARD READER PUSH PUSH TYPE WITHOUT DETECT SWITCH																			
			CHECKED BY	DATE																				
			XIXU	2006/03/28																				
			APPROVED BY	DATE																				
			JNCHEN	2006/03/29																				
			MATERIAL NO.	DOCUMENT NO.																				
			473340001	SD-47334-001																				
			DRAFT WHERE APPLICABLE MUST REMAIN WITHIN DIMENSIONS																					
			SIZE	THIS DRAWING CONTAINS INFORMATION THAT IS PROPRIETARY TO MOLEX INCORPORATED AND SHOULD NOT BE USED WITHOUT WRITTEN PERMISSION																				
			A2																					
						SHEET NO. 1 OF 2																		



RECOMMENDED PCB LAYOUT

NOTES:

- 1 MATERIAL:
 - 1-1 TERMINAL, FITTING NAIL : COPPER ALLOY
 - 1-2 SHELL, CAM PIN, SPRING : STAINLESS STEEL
 - 1-3 HOUSING, CAM : LCP, UL 94-V0, BLACK
- 2 FINISH:
 - 2-1 TERMINAL : NICKEL UNDERPLATED, GOLD PLATING ON CONTACT AREA
TIN PLATING ON SOLDER TAIL
 - 2-2 SHELL : GOLD FLASH OVER NICKEL UNDERPLATED ON SOLDER PAD
- 3 MECHANICAL SPECIFICATION:
 - REPEATED 5,000 TIMES MATING AND UNMATING CYCLES AND STILL MEET ELECTRICAL CHARACTERISTICS
- 4 ELECTRICAL SPECIFICATION:
 - 4-1 RATED CURRENT (PER CONTACT) : 0.5AMPS MAX AND TEMPERATURE RISE SHOULD BE 30°C MAX
 - 4-2 INSULATION RESISTANCE(IR) : 100 MEGOHMS MIN.
 - 4-3 DIELECTRIC WITHSTANDING VOLTAGE : 500 VAC
 - 4-4 CONTACT RESISTANCE: 100 MILLIOHMS MAX

REVISED EIC NO.: SH2007-0499 DRWN: ZHOU CHKD: XU XIANG APPR: JINCHEN 2007/02/12 2007/03/16	QUALITY SYMBOLS	GENERAL TOLERANCES (UNLESS SPECIFIED)	DIMENSION STYLE	SCALE	DESIGN UNITS	THIRD ANGLE PROJECTION																								
	$\nabla=0$ $\nabla=0$	<table border="1"> <tr><th>mm</th><th>INCH</th></tr> <tr><td>4 PLACES ± ---</td><td>± ---</td></tr> <tr><td>3 PLACES ± ---</td><td>± ---</td></tr> <tr><td>2 PLACES ± 0.15</td><td>± ---</td></tr> <tr><td>1 PLACE ± ---</td><td>± ---</td></tr> <tr><td colspan="2">ANGULAR ± 1/2°</td></tr> </table>	mm	INCH	4 PLACES ± ---	± ---	3 PLACES ± ---	± ---	2 PLACES ± 0.15	± ---	1 PLACE ± ---	± ---	ANGULAR ± 1/2°		MM ONLY	10:1	METRIC	<table border="1"> <tr><td>DRAWN BY</td><td>DATE</td></tr> <tr><td>XIXU</td><td>2006/03/25</td></tr> <tr><td>CHECKED BY</td><td>DATE</td></tr> <tr><td>XIXU</td><td>2006/03/28</td></tr> <tr><td>APPROVED BY</td><td>DATE</td></tr> <tr><td>JNCHEN</td><td>2006/03/29</td></tr> </table>	DRAWN BY	DATE	XIXU	2006/03/25	CHECKED BY	DATE	XIXU	2006/03/28	APPROVED BY	DATE	JNCHEN	2006/03/29
	mm	INCH																												
	4 PLACES ± ---	± ---																												
3 PLACES ± ---	± ---																													
2 PLACES ± 0.15	± ---																													
1 PLACE ± ---	± ---																													
ANGULAR ± 1/2°																														
DRAWN BY	DATE																													
XIXU	2006/03/25																													
CHECKED BY	DATE																													
XIXU	2006/03/28																													
APPROVED BY	DATE																													
JNCHEN	2006/03/29																													
DRAFT WHERE APPLICABLE MUST REMAIN WITHIN DIMENSIONS	MATERIAL NO. 473340001	TITLE TFR&MICRO SD CARD READER PUSH PUSH TYPE WITHOUT DETECT SWITCH	DOCUMENT NO. SD-47334-001	MOLEX INCORPORATED		SHEET NO. 2 OF 2																								
	THIS DRAWING CONTAINS INFORMATION THAT IS PROPRIETARY TO MOLEX INCORPORATED AND SHOULD NOT BE USED WITHOUT WRITTEN PERMISSION																													