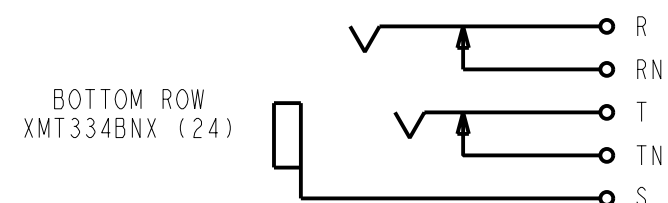
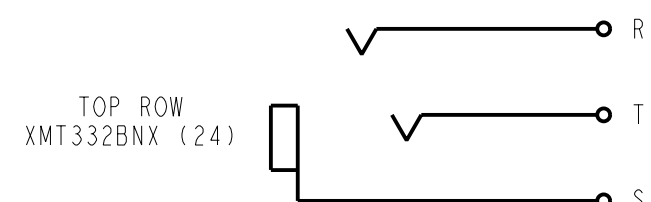


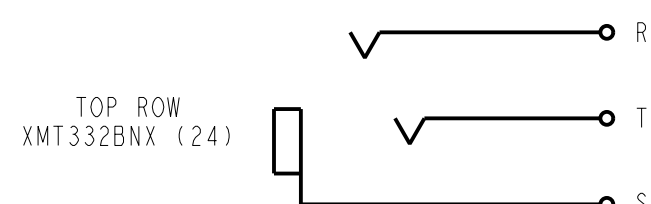
**MT48K1FNX**  
SCHEMATIC



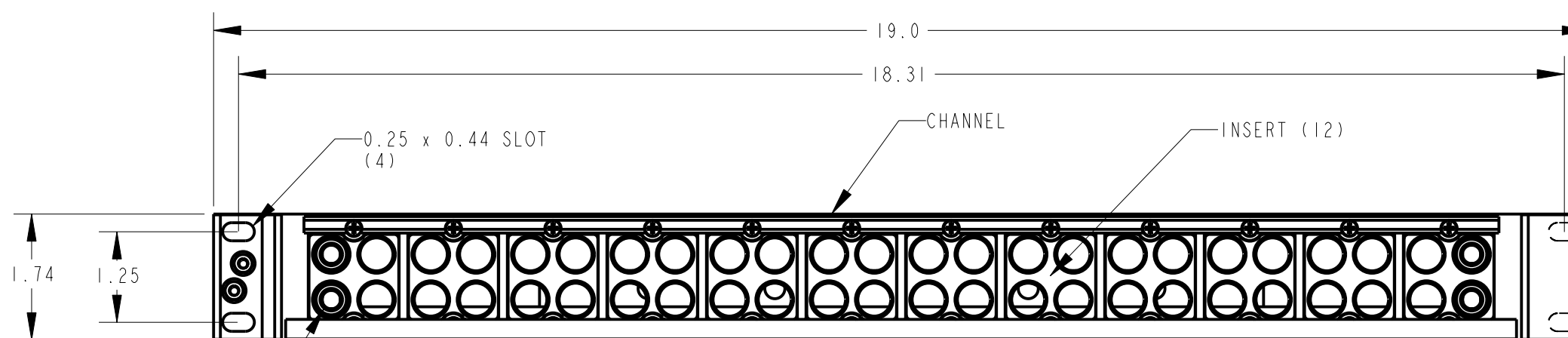
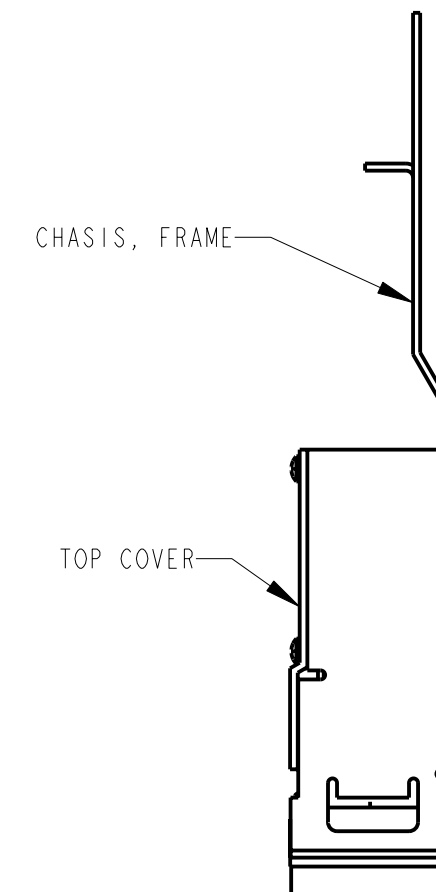
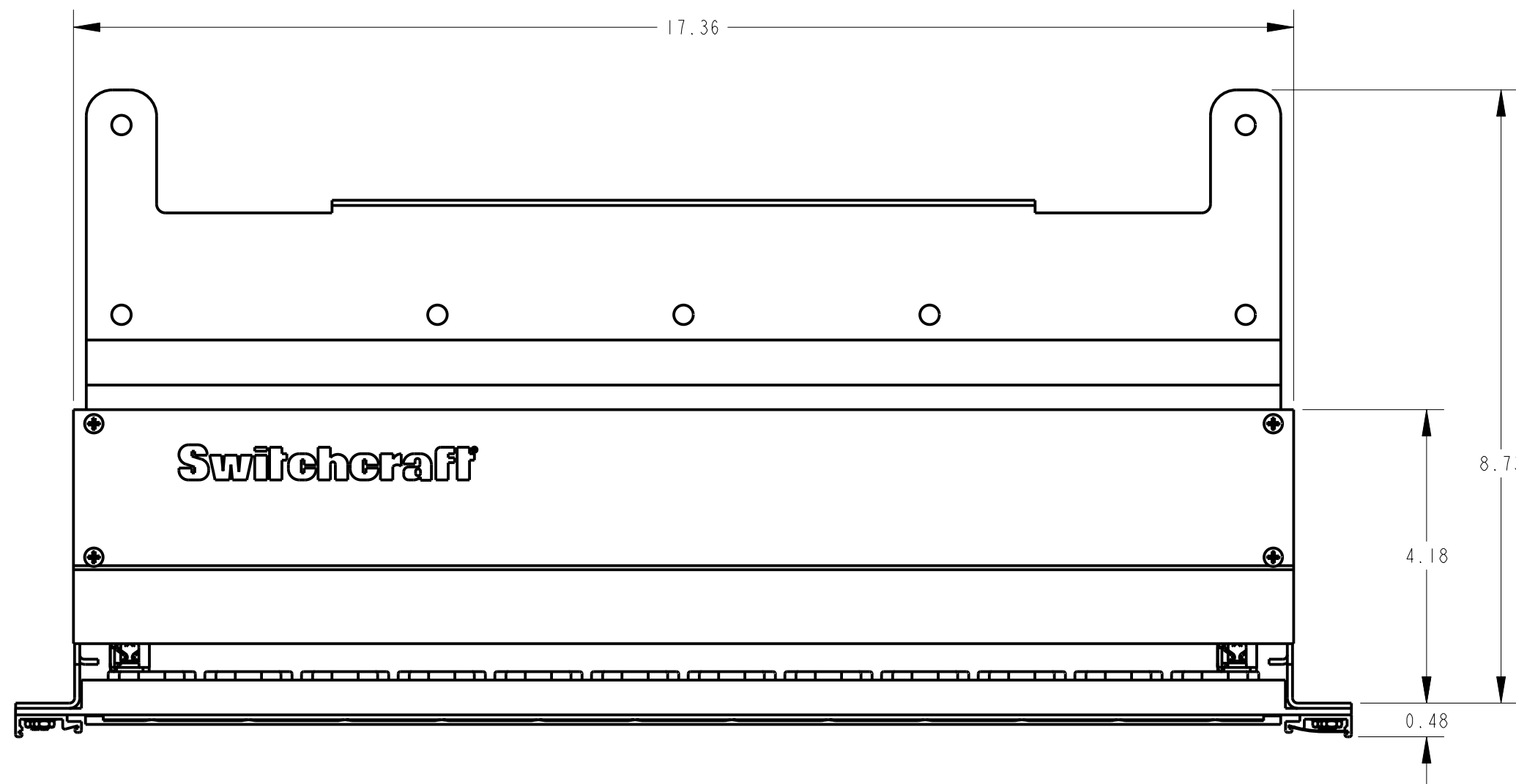
**MT48K1HNX**  
SCHEMATIC



**MT48K1NNX**  
SCHEMATIC



**MT48K1NSX**  
SCHEMATIC



XMT JACKS  
SEE TABLE AND SCHEMATIC

NOTES:

- MATERIALS:  
CHASIS, FRAME - CRS, BLACK EPOXY PAINT  
TOP COVER - ALUMINUM, BLACK ANNOXIDIZED  
JACK INSULATOR BLOCKS - THERMOPLASTIC, BLACK  
JACK FRAME - CRS, NICKEL PLATED  
JACK BUSHING - BRASS, NICKEL PLATED
- MOUNTING SCREWS, DESIGNATION STRIPS, MARKING STRIPS AND COVERS SHIPPED UNASSEMBLED.
- RoHS COMPLIANT.

PART NUMBER	TYPE	JACK PART NUMBERS
MT48K1FNX	FULL NORMAL	XMT334BNX (48)
MT48K1HNX	HALF NORMAL	XMT332BNX (24) TOP XMT334BNX (24) BOTTOM
MT48K1NNX	NON-NORMAL	XMT332BNX (48)
MT48K1NSX	FULL NORMAL NORMALS STRAPPED	XMT334BNX (48)

CUSTOMER DRAWING

<p>★ STAR SYMBOL DENOTES CRITICAL DIMENSION</p> <p>UNLESS OTHERWISE SPECIFIED</p> <p>1. ALL DIMENSIONS IN INCHES - TWO PLACE DECIMALS ±0.01 - THREE PLACE DECIMALS ±0.005 - ANGLES ±1° - ALL DIA. CONCENTRIC WITHIN 0.005 T.I.R.</p> <p>2. FEATURES ON THE SAME CENTERLINE MUST BE ALIGNED WITHIN ±0.002</p> <p>3. REMOVE ALL BURRS</p> <p>DO NOT SCALE DRAWING</p>					<p>THIS DRAWING DESCRIBES A DESIGN CONSIDERED PROPRIETARY IN NATURE, DEVELOPED AND MANUFACTURED BY SWITCHCRAFT INC. AND IS RELEASED ON A CONFIDENTIAL BASIS FOR IDENTIFICATION PURPOSES ONLY.</p> <p>SIZE WIDTH MULT LBS/M TEMPER</p> <p>FINISH SPEC No. MATERIAL SPEC No.</p> <p>FIRST USED ON SCALE 1:2</p> <p>DATE DRAWN BY TO CHKD TO APVD TO TJK</p> <p>24-Nov-10 TO 11-24-10 11-24-10</p> <p>NAME IRU, UNWIRED PART No. P-KIT ASSEMBLY, RoHS MT48K1_X_SERIES</p>				
B	27743	7-25-16	TO	TJK	<p>REVISIONS</p>	<p>REVISIONS</p>			
A	26405	6-24-09	TO	TJK					