

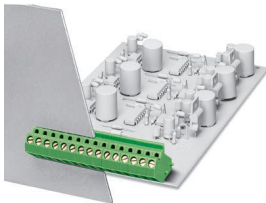
DMKDS 2,5 - PCB terminal block



1740000

<https://www.phoenixcontact.com/us/products/1740000>

Please be informed that the data shown in this PDF document is generated from our online catalog. Please find the complete data in the user documentation. Our general terms of use for downloads are valid.



PCB terminal block, nominal current: 26 A, rated voltage (III/2): 400 V, nominal cross section: 2.5 mm², number of potentials: 1, number of rows: 1, number of positions per row: 1, product range: DMKDS 2,5, pitch: 5 mm, connection method: Screw connection with tension sleeve, screw head form: L Slotted, mounting: Wave soldering, conductor/PCB connection direction: 315 °, color: green, Pin layout: Linear pinning, Solder pin [P]: 3.4 mm, number of solder pins per potential: 1, type of packaging: packed in cardboard

Your advantages

- Well-known connection principle allows worldwide use
- Low temperature rise, thanks to maximum contact force
- The latching on the side enables various numbers of positions to be combined

Commercial data

| | |
|--------------------------------------|---------------|
| Item number | 1740000 |
| Packing unit | 50 pc |
| Minimum order quantity | 50 pc |
| Sales key | AA13 |
| Product key | AAMFAA |
| GTIN | 4017918028169 |
| Weight per piece (including packing) | 3.07 g |
| Weight per piece (excluding packing) | 2.8 g |
| Customs tariff number | 85369010 |
| Country of origin | PL |

DMKDS 2,5 - PCB terminal block



1740000

<https://www.phoenixcontact.com/us/products/1740000>

Technical data

Product properties

| | |
|---------------------------|---|
| Product type | Printed circuit board terminal |
| Product family | DMKDS 2,5 |
| Product line | COMBICON Terminals M |
| Type | PCB terminal block can be aligned in rows+feed-through terminal block |
| Number of positions | 1 |
| Pitch | 5 mm |
| Number of connections | 1 |
| Number of rows | 1 |
| Number of potentials | 1 |
| Pin layout | Linear pinning |
| Solder pins per potential | 1 |

Electrical properties

| | |
|-----------------------------|-------|
| Nominal current I_N | 26 A |
| Nominal voltage U_N | 400 V |
| Degree of pollution | 3 |
| Rated voltage (III/3) | 320 V |
| Rated surge voltage (III/3) | 4 kV |
| Rated voltage (III/2) | 400 V |
| Rated surge voltage (III/2) | 4 kV |
| Rated voltage (II/2) | 630 V |
| Rated surge voltage (II/2) | 4 kV |

Connection data

Connection technology

| | |
|-----------------------|---|
| Type | PCB terminal block can be aligned in rows+feed-through terminal block |
| Nominal cross section | 2.5 mm ² |

Conductor connection

| | |
|---|--|
| Connection method | Screw connection with tension sleeve |
| Conductor cross section rigid | 0.2 mm ² ... 4 mm ² |
| Conductor cross section flexible | 0.2 mm ² ... 2.5 mm ² |
| Conductor cross section AWG | 24 ... 12 |
| Conductor cross section flexible, with ferrule without plastic sleeve | 0.25 mm ² ... 2.5 mm ² |
| Conductor cross section, flexible, with ferrule, with plastic sleeve | 0.25 mm ² ... 2.5 mm ² |
| Stripping length | 7 mm |
| Tightening torque | 0.5 Nm ... 0.6 Nm |

DMKDS 2,5 - PCB terminal block

1740000

<https://www.phoenixcontact.com/us/products/1740000>

Mounting

| | |
|-----------------------|----------------|
| Mounting type | Wave soldering |
| Pin layout | Linear pinning |
| Drive form screw head | Slotted (L) |

Material specifications

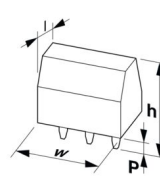
Material data - contact

| | |
|--|--|
| Note | WEEE/RoHS-compliant, free of whiskers according to IEC 60068-2-82/JEDEC JESD 201 |
| Contact material | Cu alloy |
| Metal surface terminal point (top layer) | Tin (5 - 7 μm Sn) |
| Metal surface soldering area (top layer) | Tin (5 - 7 μm Sn) |

Material data - housing

| | |
|--|--------------|
| Color (Housing) | green (6021) |
| Insulating material | PA |
| Insulating material group | I |
| CTI according to IEC 60112 | 600 |
| Flammability rating according to UL 94 | V2 |

Dimensions

| | |
|-----------------------|--|
| Dimensional drawing |  |
| Pitch | 5 mm |
| Height [h] | 23.4 mm |
| Length [l] | 27.8 mm |
| Installed height | 20 mm |
| Solder pin length [P] | 3.4 mm |

Electrical tests

Air clearances and creepage distances |

| | |
|--|---------------------|
| Specification | IEC 60664-1:2007-04 |
| Insulating material group | I |
| Comparative tracking index (IEC 60112) | CTI 600 |
| Rated insulation voltage (III/3) | 320 V |
| Rated surge voltage (III/3) | 4 kV |
| minimum clearance value - non-homogenous field (III/3) | 3 mm |
| minimum creepage distance (III/3) | 4 mm |
| Rated insulation voltage (III/2) | 400 V |

DMKDS 2,5 - PCB terminal block



1740000

<https://www.phoenixcontact.com/us/products/1740000>

| | |
|--|--------|
| Rated surge voltage (III/2) | 4 kV |
| minimum clearance value - non-homogenous field (III/2) | 3 mm |
| minimum creepage distance (III/2) | 3 mm |
| Rated insulation voltage (II/2) | 630 V |
| Rated surge voltage (II/2) | 4 kV |
| minimum clearance value - non-homogenous field (II/2) | 3 mm |
| minimum creepage distance (II/2) | 3.2 mm |

Packaging specifications

| | |
|-------------------|---------------------|
| Type of packaging | packed in cardboard |
|-------------------|---------------------|

DMKDS 2,5 - PCB terminal block

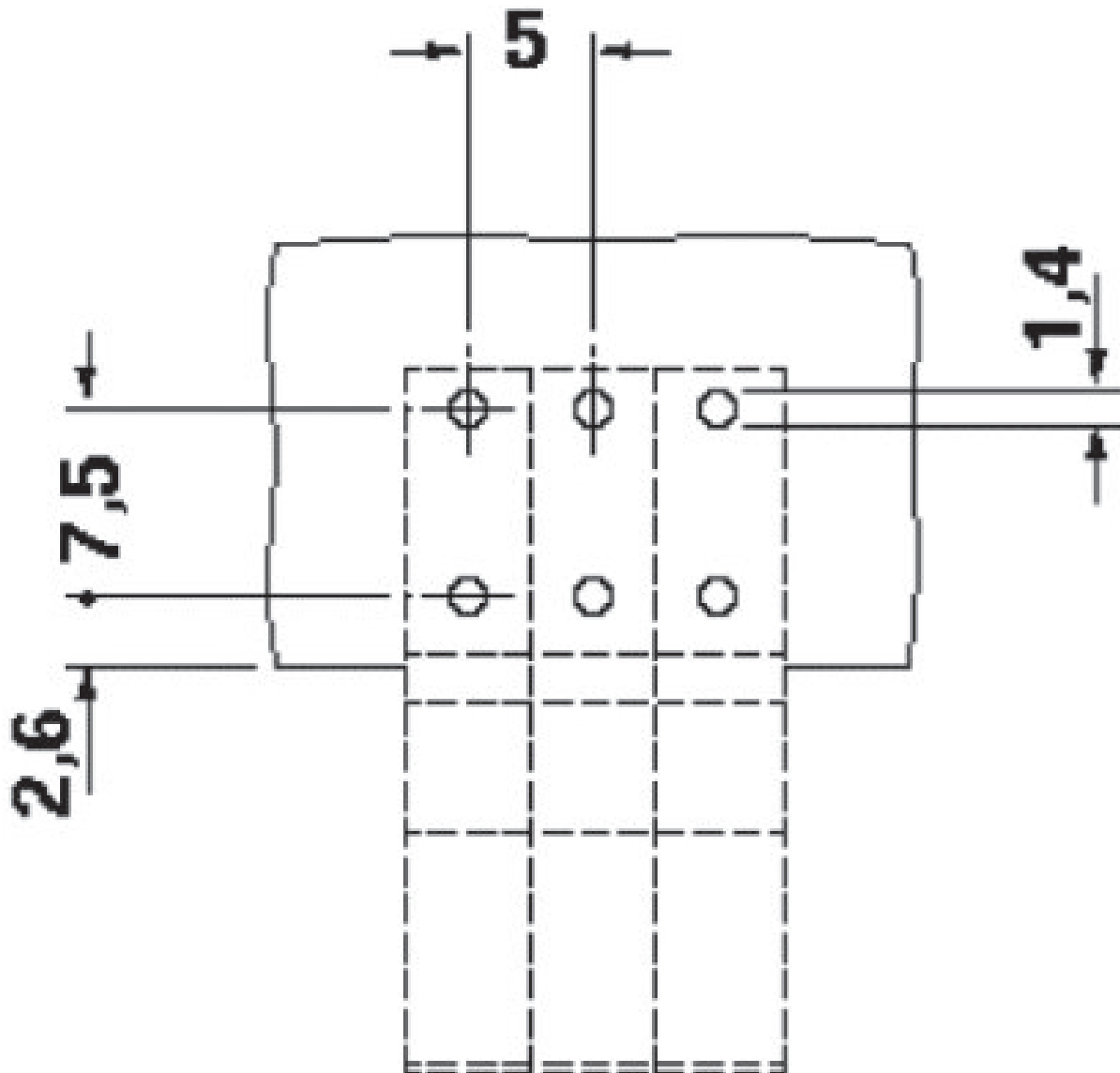


1740000

<https://www.phoenixcontact.com/us/products/1740000>

Drawings

Drilling plan/solder pad geometry



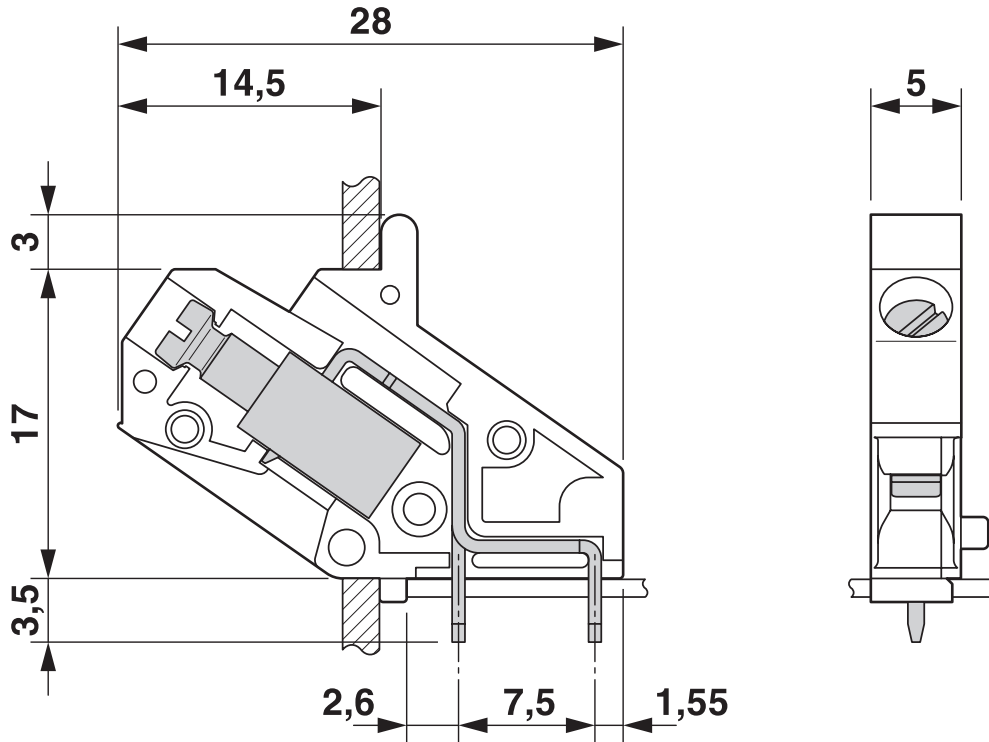
DMKDS 2,5 - PCB terminal block

1740000

<https://www.phoenixcontact.com/us/products/1740000>



Dimensional drawing



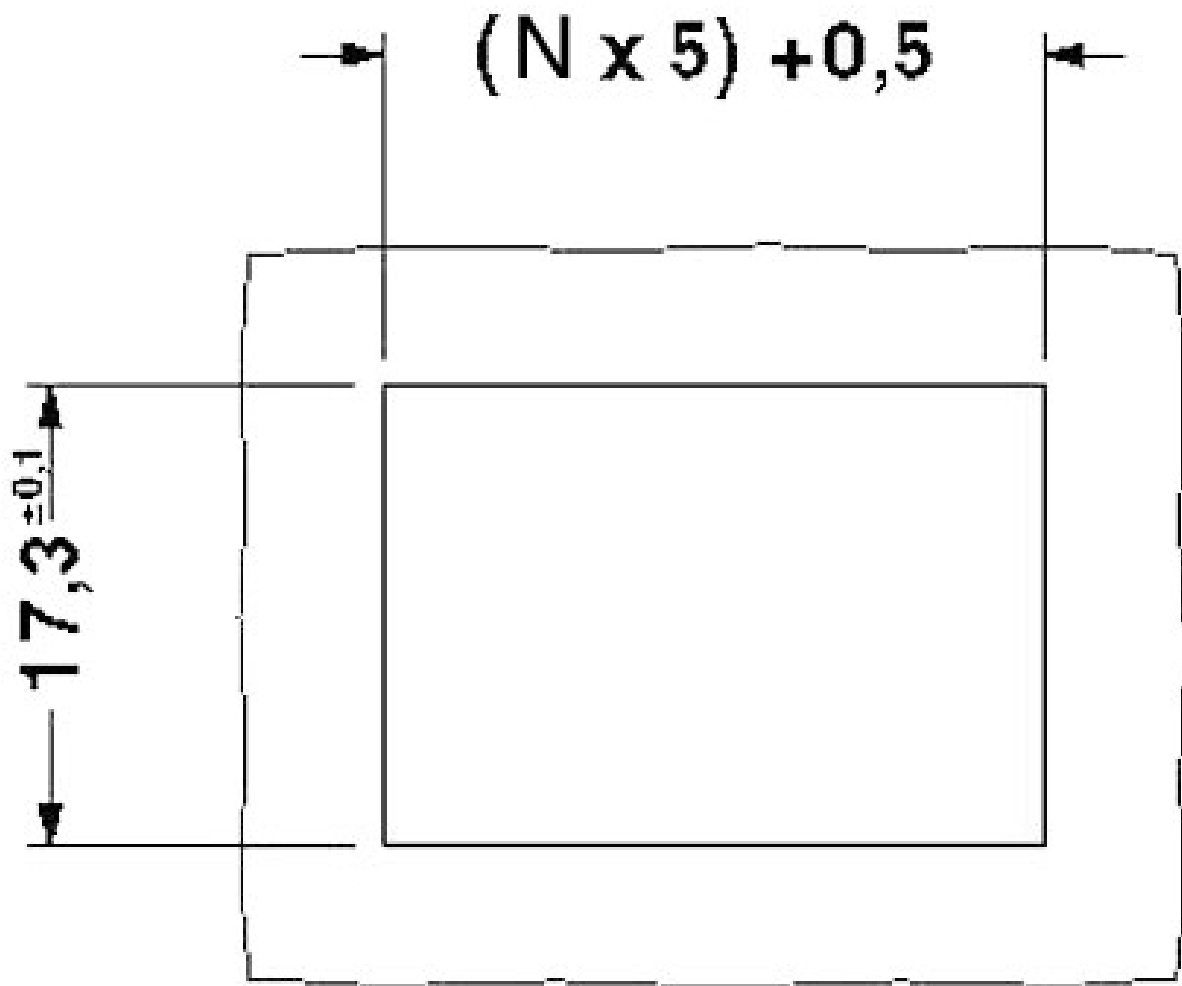
DMKDS 2,5 - PCB terminal block



1740000

<https://www.phoenixcontact.com/us/products/1740000>

Drilling plan/solder pad geometry



Cutout dimensions
N = No. of positions

DMKDS 2,5 - PCB terminal block





1740000

<https://www.phoenixcontact.com/us/products/1740000>

Approvals

To download certificates, visit the product detail page: <https://www.phoenixcontact.com/us/products/1740000>

|  CSA Approval ID: 13631 | | | | |
|--|-----------------------|-----------------------|-------------------|-----------------------------|
| | Nominal voltage U_N | Nominal current I_N | Cross section AWG | Cross section mm^2 |
| | 300 V | 10 A | 28 - 14 | - |

|  cULus Recognized Approval ID: E60425-19770427 | | | | |
|---|-----------------------|-----------------------|-------------------|-----------------------------|
| | Nominal voltage U_N | Nominal current I_N | Cross section AWG | Cross section mm^2 |
| Use group B | | | | |
| | 300 V | 10 A | 30 - 14 | - |
| Use group D | | | | |
| | 300 V | 10 A | 30 - 14 | - |

DMKDS 2,5 - PCB terminal block



1740000

<https://www.phoenixcontact.com/us/products/1740000>

Classifications

ECLASS

| | |
|-------------|----------|
| ECLASS-11.0 | 27460101 |
| ECLASS-12.0 | 27460101 |
| ECLASS-13.0 | 27460101 |

ETIM

| | |
|----------|----------|
| ETIM 9.0 | EC002643 |
|----------|----------|

UNSPSC

| | |
|-------------|----------|
| UNSPSC 21.0 | 39121400 |
|-------------|----------|

DMKDS 2,5 - PCB terminal block



1740000

<https://www.phoenixcontact.com/us/products/1740000>

Environmental product compliance

EU RoHS

| | |
|---|--------------------|
| Fulfills EU RoHS substance requirements | Yes, No exemptions |
|---|--------------------|

China RoHS

| | |
|--|--|
| Environment friendly use period (EFUP) | EFUP-E |
| | No hazardous substances above the limits |

EU REACH SVHC

| | |
|-------------------------------------|----------------------------|
| REACH candidate substance (CAS No.) | No substance above 0.1 wt% |
|-------------------------------------|----------------------------|

DMKDS 2,5 - PCB terminal block

1740000

<https://www.phoenixcontact.com/us/products/1740000>



Accessories

RPS - Reducing plug

0201647

<https://www.phoenixcontact.com/us/products/0201647>



Reducing plug, number of positions: 1, color: gray

SZS 0,6X3,5 - Screwdriver

1205053

<https://www.phoenixcontact.com/us/products/1205053>



Actuation tool, for ST terminal blocks, insulated, also suitable for use as a bladed screwdriver, size: 0.6 x 3.5 x 100 mm, 2-component grip, with non-slip grip

DMKDS 2,5 - PCB terminal block

1740000

<https://www.phoenixcontact.com/us/products/1740000>



RZ 2,5-DMKDS - Pitch spacer

1740042

<https://www.phoenixcontact.com/us/products/1740042>



Pitch spacer, increases the pitch by 2.5 mm, interlocks with terminal block of the same shape

MPS-MT - Test plug

0201744

<https://www.phoenixcontact.com/us/products/0201744>



Test plug, with solder connection up to 1 mm² conductor cross section, number of positions: 1, color: gray

DMKDS 2,5 - PCB terminal block

1740000

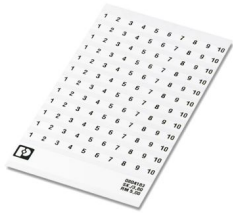
<https://www.phoenixcontact.com/us/products/1740000>



SK 5/3,8:FORTL.ZAHLEN - Marker card

0804183

<https://www.phoenixcontact.com/us/products/0804183>



Marker card, white, labeled, horizontal: consecutive numbers 1 ... 10, 11 ... 20, etc. up to 91 ... (99)100, mounting type: adhesive, for terminal block width: 5 mm, lettering field size: 5 x 3.8 mm

Phoenix Contact 2024 © - all rights reserved

<https://www.phoenixcontact.com>

Phoenix Contact USA
586 Fulling Mill Road
Middletown, PA 17057, United States
(+717) 944-1300
info@phoenixcon.com