

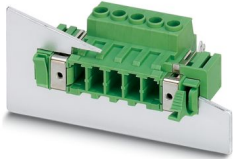
DFK-PC 5/ 4-STF-SH-7,62 - Feed-through plug



1716742

<https://www.phoenixcontact.com/us/products/1716742>

Please be informed that the data shown in this PDF document is generated from our online catalog. Please find the complete data in the user documentation. Our general terms of use for downloads are valid.



Feed-through connector, nominal cross section: 6 mm², color: green, nominal current: 41 A, rated voltage (III/2): 1000 V, contact surface: Tin, contact connection type: Pin, number of potentials: 4, number of rows: 1, number of positions: 4, number of connections: 4, product range: DFK-PC 5/...-STF-SH, pitch: 7.62 mm, connection method: Screw connection with tension sleeve, screw head form: Z1L Slotted Pozidriv, conductor/PCB connection direction: 0 °, plug-in system: COMBICON PC 5, Pin connector pattern alignment: Standard, locking: Screw locking mechanism, mounting: Screw flange, type of packaging: packed in cardboard

Your advantages

- Well-known connection principle allows worldwide use
- Low temperature rise, thanks to maximum contact force
- Allows connection of two conductors
- Flange system enables secure fixing to the housing panel by means of tool-free snap-in locking or screws
- Shroud for professional EMC shield feed-through on the inside of the device
- Screwable flange for superior mechanical stability

Commercial data

Item number	1716742
Packing unit	10 pc
Minimum order quantity	10 pc
Note	Made to order (non-returnable)
Sales key	AA04
Product key	AADWEC
Catalog page	Page 549 (C-1-2013)
GTIN	4046356137362
Weight per piece (including packing)	33.47 g
Weight per piece (excluding packing)	33.24 g
Customs tariff number	85366990
Country of origin	PL

1716742

<https://www.phoenixcontact.com/us/products/1716742>

Technical data

Product properties

Product type	Feed-through connector
Product family	DFK-PC 5/..-STF-SH
Product line	COMBICON Connectors L
Type	Feed-through header
Number of positions	4
Pitch	7.62 mm
Number of connections	4
Number of rows	1
Number of potentials	4
Mounting flange	Screw flange

Electrical properties

Nominal current I_N	41 A
Nominal voltage U_N	1000 V
Degree of pollution	3
Rated voltage (III/3)	630 V
Rated surge voltage (III/3)	8 kV
Rated voltage (III/2)	1000 V
Rated surge voltage (III/2)	8 kV
Rated voltage (II/2)	1000 V
Rated surge voltage (II/2)	6 kV

Connection data

Connection technology

Type	Feed-through header
Connector system	COMBICON PC 5
Nominal cross section	6 mm ²
Contact connection type	Pin

Interlock

Locking type	Screw locking mechanism
Mounting flange	Screw flange

Conductor connection

Connection method	Screw connection with tension sleeve
Connection direction of the conductor to plug-in direction	0 °
Conductor cross section rigid	0.2 mm ² ... 10 mm ²
Conductor cross section flexible	0.2 mm ² ... 6 mm ²
Conductor cross section AWG	24 ... 10
Conductor cross section flexible, with ferrule without plastic sleeve	0.25 mm ² ... 6 mm ²

DFK-PC 5/ 4-STF-SH-7,62 - Feed-through plug



1716742

<https://www.phoenixcontact.com/us/products/1716742>

Conductor cross section, flexible, with ferrule, with plastic sleeve	0.25 mm ² ... 4 mm ²
2 conductors with same cross section, solid	0.2 mm ² ... 2.5 mm ²
2 conductors with same cross section, flexible	0.2 mm ² ... 4 mm ²
2 conductors with same cross section, flexible, with ferrule without plastic sleeve	0.25 mm ² ... 1.5 mm ²
2 conductors with the same cross section, flexible, with TWIN ferrule with plastic sleeve	0.25 mm ² ... 2.5 mm ²
Cylindrical gauge a x b / diameter	3.6 mm x 3.1 mm / 3.4 mm
Stripping length	10 mm
Tightening torque	0.7 Nm ... 0.8 Nm

Mounting

Drive form screw head	Slotted Pozidriv (Z1L)
-----------------------	------------------------

Material specifications

Material data - contact

Note	WEEE/RoHS-compliant, free of whiskers according to IEC 60068-2-82/JEDEC JESD 201
Contact material	Cu alloy
Surface characteristics	hot-dip tin-plated
Metal surface terminal point (top layer)	Tin (4 - 8 µm Sn)
Metal surface contact area (top layer)	Tin (4 - 8 µm Sn)

Material data - housing

Color (Housing)	green (6021)
Insulating material	PA
Insulating material group	I
CTI according to IEC 60112	600
Flammability rating according to UL 94	V0
Glow wire flammability index GWFI according to EN 60695-2-12	850
Glow wire ignition temperature GWIT according to EN 60695-2-13	775
Temperature for the ball pressure test according to EN 60695-10-2	125 °C

Notes

Notes on operation	In accordance with IEC 61984, COMBICON connectors have no switching power (COC). During designated use, they must not be plugged in or disconnected when carrying voltage or under load.
--------------------	--

Dimensions

Dimensional drawing	
---------------------	--

DFK-PC 5/ 4-STF-SH-7,62 - Feed-through plug



1716742

<https://www.phoenixcontact.com/us/products/1716742>

Pitch	7.62 mm
Width [w]	65.1 mm
Height [h]	26.24 mm
Length [l]	48.95 mm

Electrical tests

Air clearances and creepage distances |

Specification	IEC 60664-1:2007-04
Insulating material group	I
Comparative tracking index (IEC 60112)	CTI 600
Rated insulation voltage (III/3)	630 V
Rated surge voltage (III/3)	8 kV
minimum clearance value - non-homogenous field (III/3)	8 mm
minimum creepage distance (III/3)	8 mm
Rated insulation voltage (III/2)	1000 V
Rated surge voltage (III/2)	8 kV
minimum clearance value - non-homogenous field (III/2)	8 mm
minimum creepage distance (III/2)	8 mm
Rated insulation voltage (II/2)	1000 V
Rated surge voltage (II/2)	6 kV
minimum clearance value - non-homogenous field (II/2)	5.5 mm
minimum creepage distance (II/2)	5.5 mm

Environmental and real-life conditions

Ambient conditions

Ambient temperature (operation)	-40 °C ... 100 °C (dependent on the derating curve)
Ambient temperature (storage/transport)	-40 °C ... 70 °C
Relative humidity (storage/transport)	30 % ... 70 %
Ambient temperature (assembly)	-5 °C ... 100 °C

Packaging specifications

Type of packaging	packed in cardboard
-------------------	---------------------

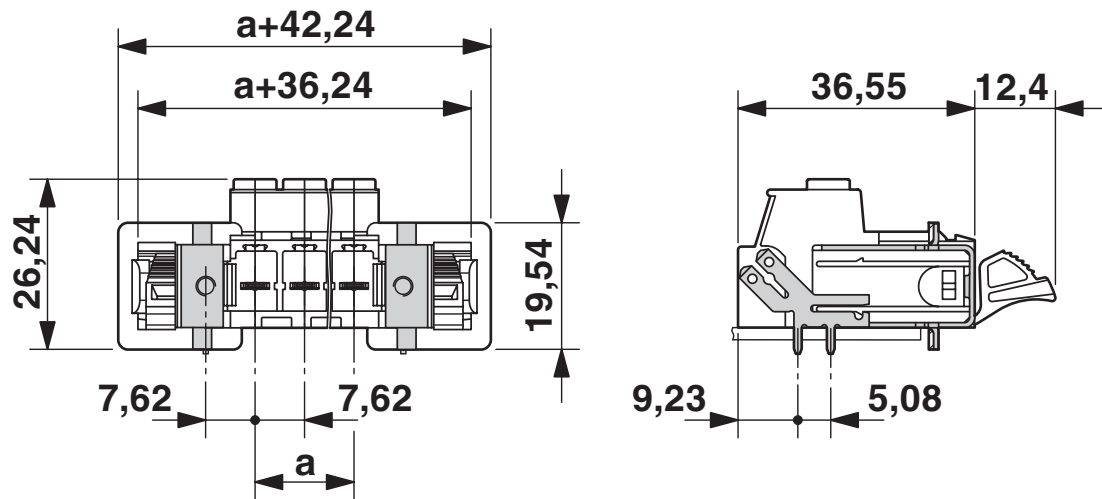
DFK-PC 5/ 4-STF-SH-7,62 - Feed-through plug

1716742

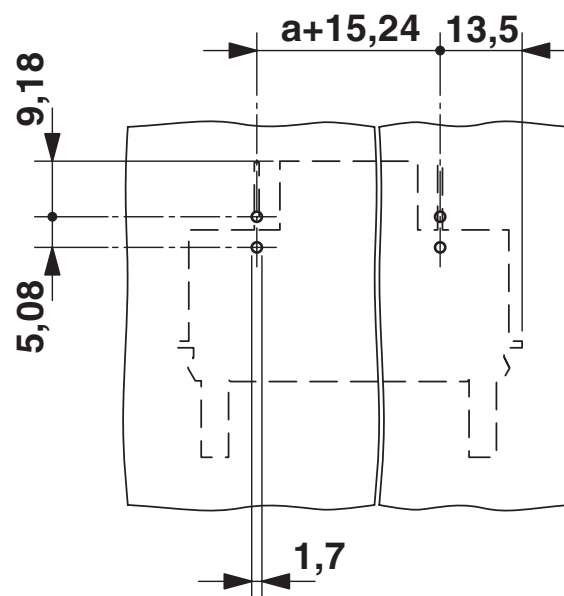
<https://www.phoenixcontact.com/us/products/1716742>

Drawings

Dimensional drawing



Drilling plan/solder pad geometry

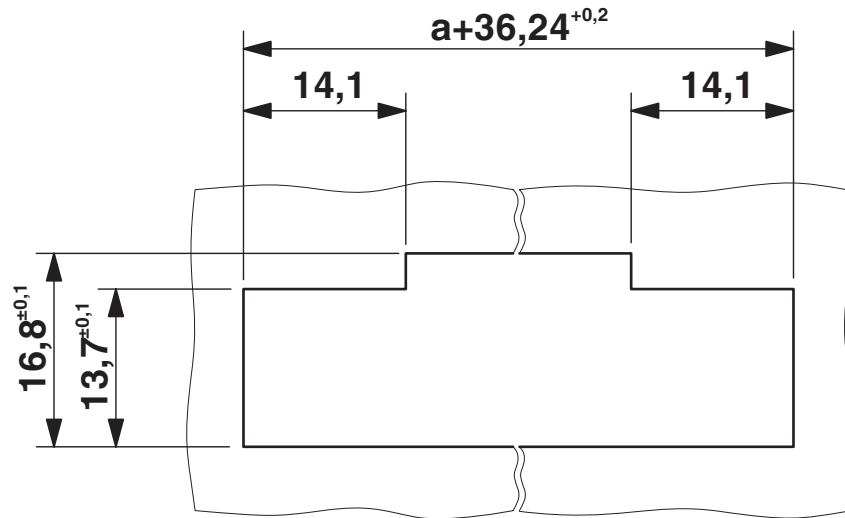


DFK-PC 5/ 4-STF-SH-7,62 - Feed-through plug

1716742

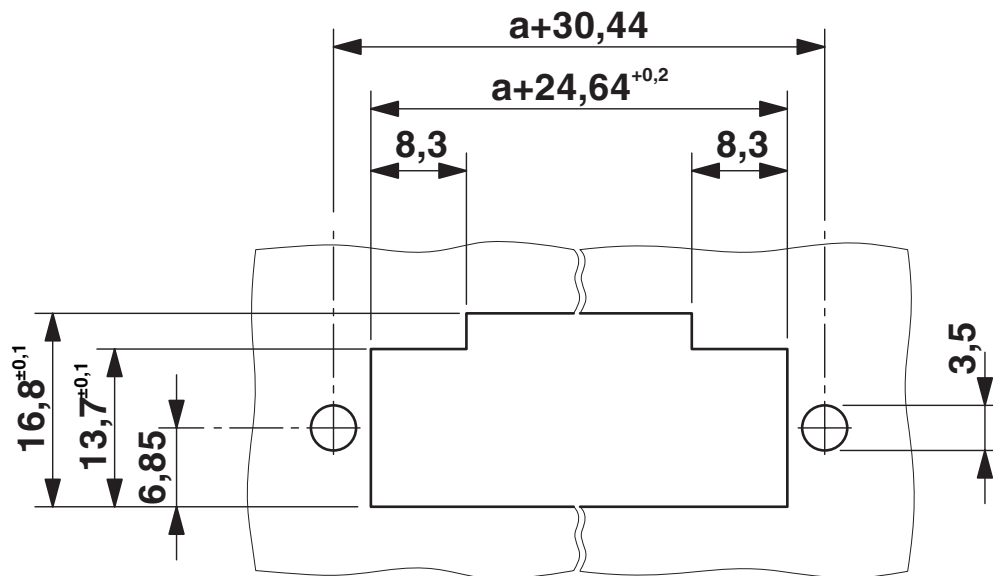
<https://www.phoenixcontact.com/us/products/1716742>

Dimensional drawing



Sheet metal cutout for snap-on.

Dimensional drawing



Sheet metal cutout for screw connection.

DFK-PC 5/ 4-STF-SH-7,62 - Feed-through plug




1716742

<https://www.phoenixcontact.com/us/products/1716742>

Approvals

To download certificates, visit the product detail page: <https://www.phoenixcontact.com/us/products/1716742>

 cULus Recognized Approval ID: E60425-19920722		Nominal voltage U_N	Nominal current I_N	Cross section AWG	Cross section mm^2
Use group B		600 V	41 A	24 - 8	-
Use group C		600 V	41 A	24 - 8	-

DFK-PC 5/ 4-STF-SH-7,62 - Feed-through plug



1716742

<https://www.phoenixcontact.com/us/products/1716742>

Classifications

ECLASS

ECLASS-11.0	27460202
ECLASS-12.0	27460202
ECLASS-13.0	27460202

ETIM

ETIM 9.0	EC002638
----------	----------

UNSPSC

UNSPSC 21.0	39121400
-------------	----------

DFK-PC 5/ 4-STF-SH-7,62 - Feed-through plug



1716742

<https://www.phoenixcontact.com/us/products/1716742>

Environmental product compliance

EU RoHS

Fulfills EU RoHS substance requirements	Yes, No exemptions
---	--------------------

China RoHS

Environment friendly use period (EFUP)	EFUP-E
	No hazardous substances above the limits

EU REACH SVHC

REACH candidate substance (CAS No.)	No substance above 0.1 wt%
-------------------------------------	----------------------------

DFK-PC 5/ 4-STF-SH-7,62 - Feed-through plug



1716742

<https://www.phoenixcontact.com/us/products/1716742>

Accessories

CP-PC RD - Coding profile

1701967

<https://www.phoenixcontact.com/us/products/1701967>

Coding profile, for plugging into the coding ribs of the plug at a later date, insulating material, color: Red



DFK-PC 16-SS - Accessories

1705449

<https://www.phoenixcontact.com/us/products/1705449>

Screw set for DFK-PC 16... connectors



DFK-PC 5/ 4-STF-SH-7,62 - Feed-through plug

1716742

<https://www.phoenixcontact.com/us/products/1716742>



SZK PZ1 VDE - Screwdriver

1206450

<https://www.phoenixcontact.com/us/products/1206450>



Screwdriver, PZ crosshead, VDE insulated, size: PZ 1 x 80 mm, 2-component grip, with non-slip grip

SK 7,62/3,8:FORTL.ZAHLEN - Marker card

0804549

<https://www.phoenixcontact.com/us/products/0804549>



Marker card, white, labeled, horizontal: consecutive numbers 1 ... 10, 11 ... 20, etc. up to 91 ... 100, mounting type: adhesive, for terminal block width: 7.62 mm, lettering field size: 7.62 x 3.8 mm

DFK-PC 5/ 4-STF-SH-7,62 - Feed-through plug



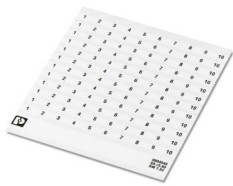
1716742

<https://www.phoenixcontact.com/us/products/1716742>

SK 3,8 REEL P7,62 WH CUS - Marker card

0825128

<https://www.phoenixcontact.com/us/products/0825128>



Marker card, can be ordered: by card, white, labeled according to customer specifications, mounting type: adhesive, for terminal block width: 7.62 mm, lettering field size: continuous x 3.8 mm

SK U/3,8 WH:UNBEDRUCKT - Marker card

0803906

<https://www.phoenixcontact.com/us/products/0803906>



Marker card, Din A4, white, unlabeled, can be labeled with: PLOTMARK, CMS-P1-PLOTTER, Office printing systems, mounting type: adhesive, for terminal block width: 210 mm, lettering field size: 186 x 3.8 mm, Number of individual labels: 1440

DFK-PC 5/ 4-STF-SH-7,62 - Feed-through plug

1716742

<https://www.phoenixcontact.com/us/products/1716742>



DFK-PC MOUNT SET - Accessories

1054021

<https://www.phoenixcontact.com/us/products/1054021>

Contains 20 pcs. latch and screw elements for feed-through connectors each



C-SCF 2,5/6,3X0,8 - Connector

3240159

<https://www.phoenixcontact.com/us/products/3240159>

Slip-on sleeve, non-insulated, 1.5 ... 2.5 mm², 6.3 x 0.8



DFK-PC 5/ 4-STF-SH-7,62 - Feed-through plug

1716742

<https://www.phoenixcontact.com/us/products/1716742>



C-SCF 6/6,3X0,8 - Connector

3240160

<https://www.phoenixcontact.com/us/products/3240160>



Slip-on sleeve, non-insulated, 4 ... 6 mm², 6.3 x 0.8

C-SCF 1,5/6,3X0,8 - Connector

3240156

<https://www.phoenixcontact.com/us/products/3240156>



Slip-on sleeve, non-insulated, 0.5 ... 1.5 mm², 6.3 x 0.8

DFK-PC 5/ 4-STF-SH-7,62 - Feed-through plug

1716742

<https://www.phoenixcontact.com/us/products/1716742>



C-SCFI 6/6,3X0,8 - Connector

3240056

<https://www.phoenixcontact.com/us/products/3240056>



Slip-on sleeve, yellow, 4 ... 6 mm², 6.3 x 0.8

C-SCFI 1,5/6,3X0,8 - Connector

3240052

<https://www.phoenixcontact.com/us/products/3240052>



Slip-on sleeve, red, 0.5 ... 1.5 mm², 6.3 x 0.8

DFK-PC 5/ 4-STF-SH-7,62 - Feed-through plug

1716742

<https://www.phoenixcontact.com/us/products/1716742>

C-SCFFI 2,5/6,3X0,8 - Connector

3240547

<https://www.phoenixcontact.com/us/products/3240547>



Slip-on sleeve, fully isolated, blue, 1.5 ... 2.5 mm², for plug 6.3 x 0.8 mm

C-SCFI 2,5/6,3X0,8 - Connector

3240055

<https://www.phoenixcontact.com/us/products/3240055>



Slip-on sleeve, blue, 1.5 ... 2.5 mm², 6.3 x 0.8

DFK-PC 5/ 4-STF-SH-7,62 - Feed-through plug



1716742

<https://www.phoenixcontact.com/us/products/1716742>

C-SCFFI 6/6,3X0,8 - Connector

3240541

<https://www.phoenixcontact.com/us/products/3240541>



Slip-on sleeve, fully insulated, yellow, 4 ... 6 mm², for 6.3 x 0.8 mm plugs

C-SCFFI 1,5/6,3X0,8 - Connector

3240538

<https://www.phoenixcontact.com/us/products/3240538>



Slip-on sleeve, fully isolated, red, 0.5 ... 1.5 mm², for plug 6.3 x 0.8 mm

Phoenix Contact 2024 © - all rights reserved
<https://www.phoenixcontact.com>

Phoenix Contact USA
586 Fulling Mill Road
Middletown, PA 17057, United States
(+717) 944-1300
info@phoenixcon.com