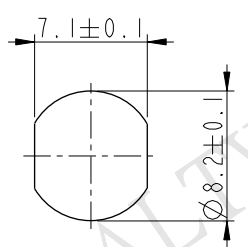
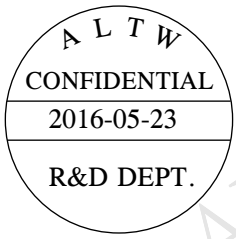
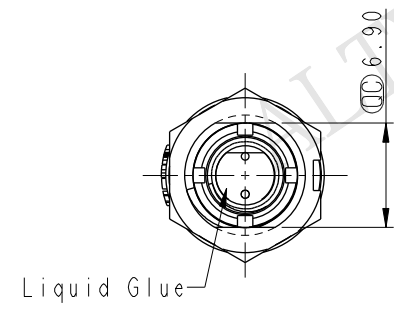
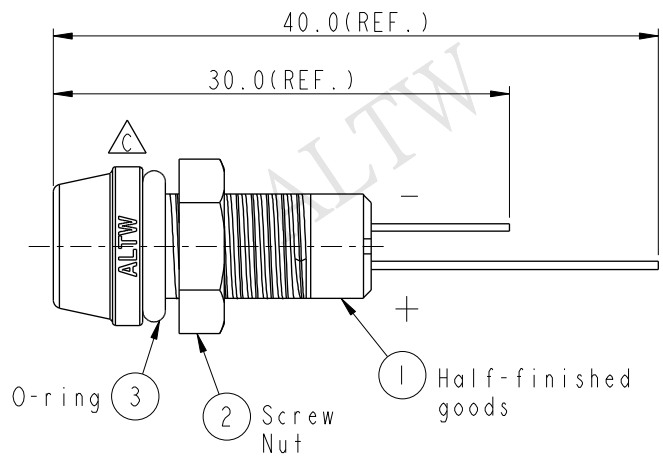
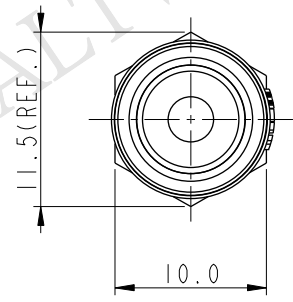
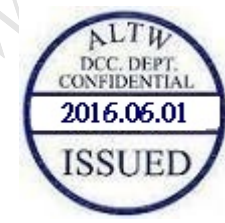
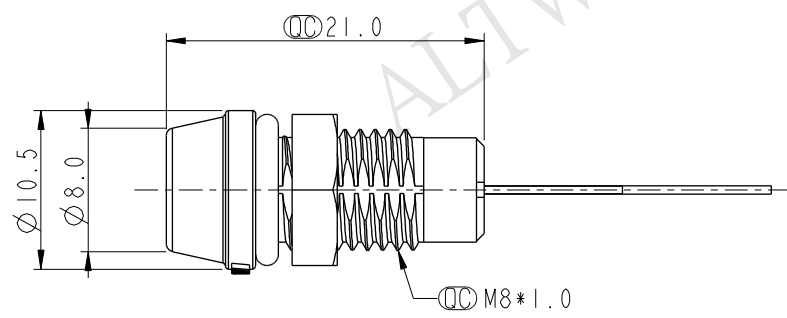


THIS DOCUMENT IS SUBJECT TO CHANGE WITHOUT NOTICE. IT IS CONFIDENTIAL AND A PROPERTY OF Amphenol LTW. DISCLOSURE TO THIRD PARTY HAS TO BE AUTHORIZED BY Amphenol LTW.

REV.	ECN NO.	DATE	SIGN	DESCRIPTION
B	LEN-930472	2009/03/04	ZhaoRongFu	Add Waterproof Rate
C	LEN1650816	2016/05/23	Ruru	Change Logo



Recommended Panel Cut-Out



- Notes:
- * CC Important Dimension To Check
 - * Waterproof Rate: IP67
 - * LED Holder: PC+ABS, Black
 - * LED: $\text{Ø}3$ mm, Green (高亮度)
 - * O-ring: EPDM, Black
 - * Screw Nut: Nylon+GF
 - * Operating Voltage: DC 4V
 - * Operating Temperature: $-40\sim+80^{\circ}\text{C}$
 - * For Panel Thickness 6.5mm Max.

UNIT: mm TOLERANCE .X ± 0.25 .XX ± 0.1 .XXX ± 0.05 ANGLES $\pm 1^{\circ}$	TITLE $\text{Ø}3\text{mm}$ Plastic LED ,Green			Amphenol LTW 安費諾亮泰企業股份有限公司	ITEM NO	L08-01GAAS-PR7001	DRAWN BY	Ruru	DATE	2016-05-23					
	SCALE	2:1	SIZE		A4	SHEET	1	OF	1	DWG NO	L08-01GAAS-PR7001	CHECKED BY	Rita	DATE	2016-05-23
	REV.	C	WC-REV.		A.3	CC : Inspection item		CUSTOMER	ALTW	APPROVED BY	Lisa	DATE	2016-05-23		