



## 607 SERIES 7mm Panel Mount Indicators

### MECHANICAL / SPECIFICATIONS

MOUNTING HOLE SIZE:  
0.283" (7.2 mm)

MAX PANEL THICKNESS: See part numbers

MOUNTING TORQUE:  
0.362 lbs/ft (5 kg/cm)  
0.217 lbs/ft or 3 kg/cm (Figure 5 only)

VOLTAGE OPTIONS:  
2 VDC and 3 VDC (resistor required)  
6, 12 and 24 VDC (no resistor required)

OPERATING TEMP:  
-30 °C to +85 °C (-22 °F to +185 °F)

STORAGE TEMP:  
-40 °C to +85 °C (-40 °F to +185 °F)

ELECTRICAL CONNECTION:  
Solder terminals

HOUSING:  
Protruding and recessed positions:  
Brass-Chrome Plated

INTERNAL POSITION: Polycarbonate

TERMINALS:  
Copper-Nickel Plated

LOCK WASHER:  
Iron-Nickel Plated

NUT:  
Brass-Nickel Plated

### CERTIFICATIONS & RATINGS

RoHS compliant  
NEMA 4X (Watertight only)  
IP66 (Watertight only)

### APPLICATION

The 607 Series LED Panel Mount Indicators are designed for a variety of applications such as:

- Main power indication
- Remote power indication
- Status indication
- Maintenance and warning indication
- Instrumentation

### DIMENSIONS inches [mm]

FIGURE 1 - PROTRUDING - Non-Polarized

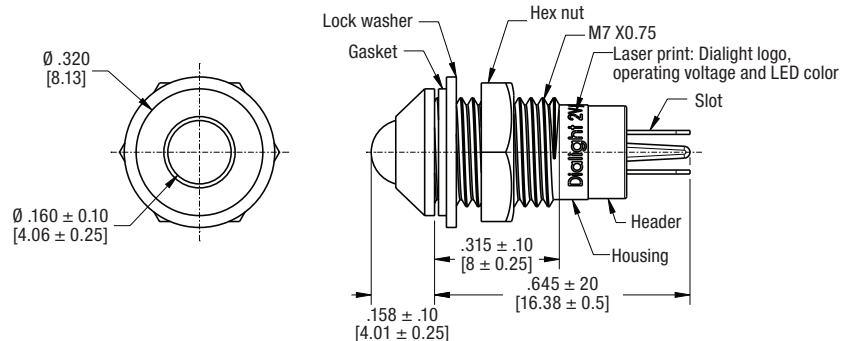
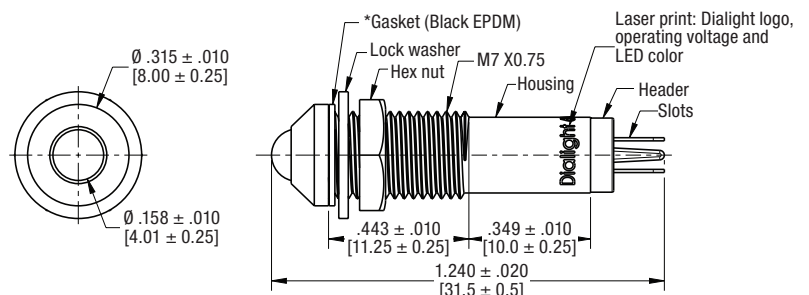


FIGURE 2 - PROTRUDING - Non-Polarized



\*Gasket only available on part number 607-1X12-3X0F

DIMENSIONS (Cont'd) inches [mm]

FIGURE 3 - RECESSED - Non-Polarized

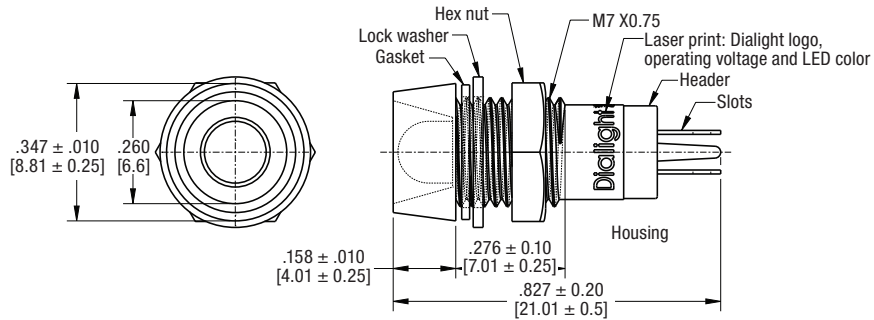
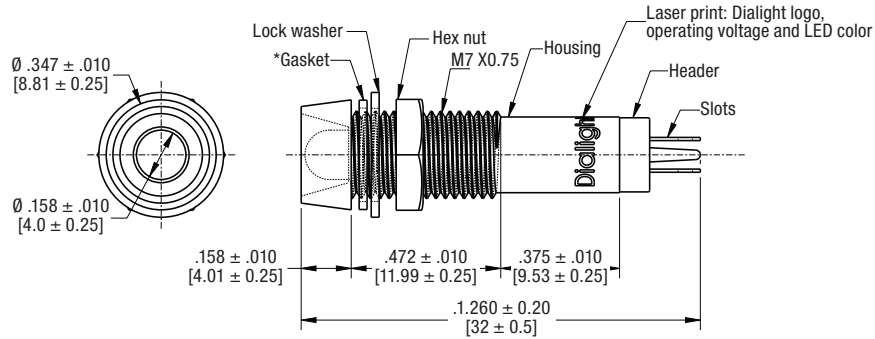
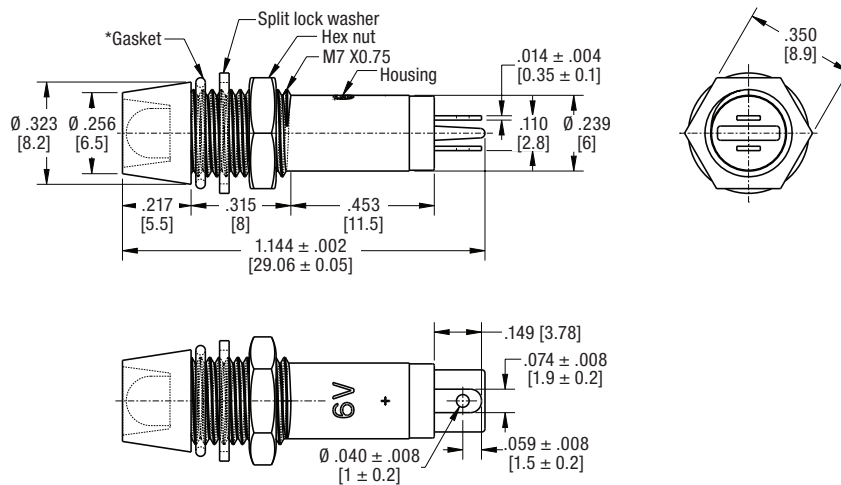


FIGURE 4 - RECESSED - Non-Polarized



\*Gasket only available on part number 607-2X12-3X0F

FIGURE 5 - INTERNAL - Polarized



\*Gasket only available on part number 607-3X32-3X0F

ORDERING INFORMATION

STANDARD      WATERTIGHT

Part Number	Part Number	Color	Voltage (VDC)	Current (mA)	Intensity Typ. (mcd)	LED Positions	Polarity	Panel Thickness
-------------	-------------	-------	---------------	--------------	----------------------	---------------	----------	-----------------

**Figure 1**

<a href="#">607-1112-110F</a>	<a href="#">607-1112-310F</a>	● Red	2	20	40	Protruding	Non-Polarized	0.187" (4.75 mm)
<a href="#">607-1212-110F</a>	<a href="#">607-1212-310F</a>	● Green	3		65			
<a href="#">607-1312-110F</a>	<a href="#">607-1312-310F</a>	● Yellow	2		55			

**Figure 2**

<a href="#">607-1112-120F</a>	<a href="#">607-1112-320F</a>	● Red	6	20	40	Protruding	Non-Polarized	0.265" (6.75 mm)
<a href="#">607-1212-120F</a>	<a href="#">607-1212-320F</a>	● Green			65			
<a href="#">607-1312-120F</a>	<a href="#">607-1312-320F</a>	● Yellow			55			
<a href="#">607-1112-130F</a>	<a href="#">607-1112-330F</a>	● Red	12	20	40	Protruding	Non-Polarized	0.265" (6.75 mm)
<a href="#">607-1212-130F</a>	<a href="#">607-1212-330F</a>	● Green			65			
<a href="#">607-1312-130F</a>	<a href="#">607-1312-330F</a>	● Yellow			55			

**Figure 3**

<a href="#">607-2112-110F</a>	<a href="#">607-2112-310F</a>	● Red	2	20	65	Recessed	Non-Polarized	0.136" (3.45 mm)
<a href="#">607-2212-110F</a>	<a href="#">607-2212-310F</a>	● Green	3		85			
<a href="#">607-2312-110F</a>	<a href="#">607-2312-310F</a>	● Yellow	2		70			

**Figure 4**

<a href="#">607-2112-120F</a>	<a href="#">607-2112-320F</a>	● Red	6	20	65	Recessed	Non-Polarized	0.336" (8.50 mm)
<a href="#">607-2212-120F</a>	<a href="#">607-2212-320F</a>	● Green			85			
<a href="#">607-2312-120F</a>	<a href="#">607-2312-320F</a>	● Yellow			70			
<a href="#">607-2112-130F</a>	<a href="#">607-2112-330F</a>	● Red	12	20	65	Recessed	Non-Polarized	0.336" (8.50 mm)
<a href="#">607-2212-130F</a>	<a href="#">607-2212-330F</a>	● Green			85			
<a href="#">607-2312-130F</a>	<a href="#">607-2312-330F</a>	● Yellow			70			

**Figure 5**

<a href="#">607-3132-120F</a>	<a href="#">607-3132-320F</a>	● Red	6	25	35	Internal	Polarized	0.187" (4.75 mm)
<a href="#">607-3232-120F</a>	<a href="#">607-3232-320F</a>	● Green			45			
<a href="#">607-3332-120F</a>	<a href="#">607-3332-320F</a>	● Yellow			40			
<a href="#">607-3132-130F</a>	<a href="#">607-3132-330F</a>	● Red	12	30	35	Internal	Polarized	0.187" (4.75 mm)
<a href="#">607-3232-130F</a>	<a href="#">607-3232-330F</a>	● Green			45			
<a href="#">607-3332-130F</a>	<a href="#">607-3332-330F</a>	● Yellow			40			
<a href="#">607-3132-140F</a>	<a href="#">607-3132-340F</a>	● Red	24	30	35	Internal	Polarized	0.187" (4.75 mm)
<a href="#">607-3232-140F</a>	<a href="#">607-3232-340F</a>	● Green			45			
<a href="#">607-3332-140F</a>	<a href="#">607-3332-340F</a>	● Yellow			40			



Dialight reserves the right to make changes at any time in order to supply the best product possible. The most current version of this document will always be available at: [www.dialightsignalsandcomponents.com](http://www.dialightsignalsandcomponents.com)

Warranty Statement: Except for the warranty expressly provided for at: [www.dialight.com/resources/warranties/](http://www.dialight.com/resources/warranties/), Dialight disclaims any and all other warranties, express or implied, including, without limitation, any warranties of merchantability, fitness for a particular purpose, title, and noninfringement.