



559 SERIES Snap-In LED

.250" (6.35 mm) Mounting Hole

MECHANICAL / SPECIFICATIONS

MOUNTING HOLE SIZE:

0.249 – 0.252" (6.32 – 6.40 mm)

MAX PANEL THICKNESS:

0.031 – 0.062" (.787 – 1.57 mm)

MOUNTING TORQUE: N/A

VOLTAGE OPTIONS:

1.6 – 2.3 V DC typical (resistor required)
5, 12, 24V DC (no resistor required)

OPERATING TEMP: See table

STORAGE TEMP:

-55 °C to +100 °C (-67 °F to +212 °F)

ELECTRICAL CONNECTION:

Straight terminals for wire wrapping
or 24 AWG lead wire

HOUSING: Black — UL94V-0 and
enhances LED contrast

WIRE LEADS: 6" or 14"

CONNECTORS: Available upon request

POSSIBLE CONNECTORS:

Molex 50-57-9402
AMP 3-643814-3

TERMINALS: Available upon request

POSSIBLE TERMINALS:

Molex 16-02-0069, 16-02-077,
AMP 42067-1

CERTIFICATIONS & RATINGS

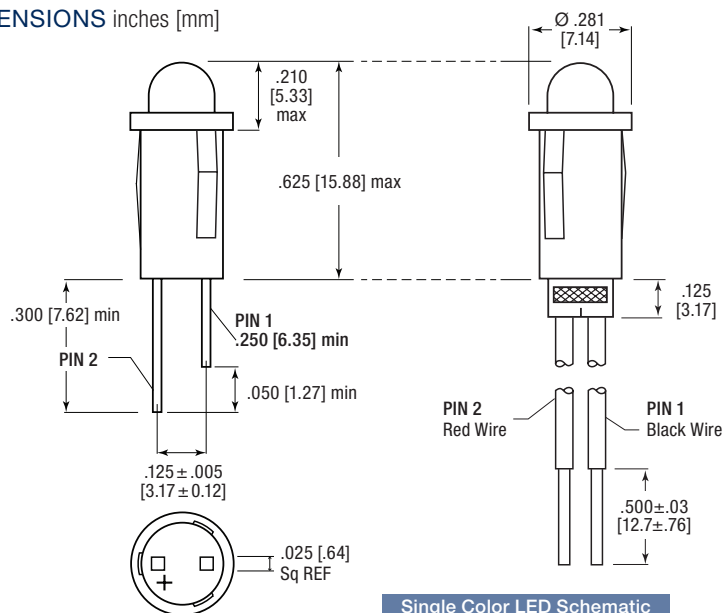
RoHS compliant

APPLICATION

Dialight's 559 series LED panel mount indicator is available with a variety of LEDs including AlInGaP and InGaN technology for high brightness applications, bicolor and integral resistors.

- Fan tray assemblies
- Data-center infrastructure (servers and storage)
- Next-gen wireless infrastructure
- Electronic test and measurement instruments
- Communications testing equipment
- Hand held devices

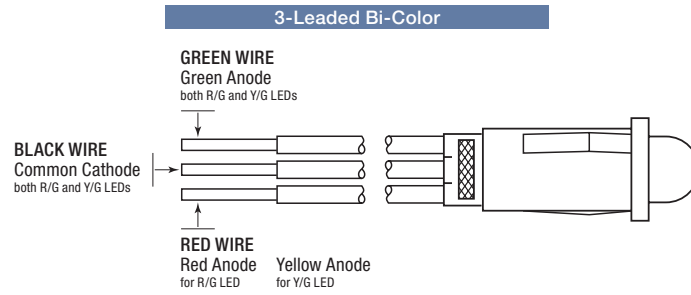
DIMENSIONS inches [mm]



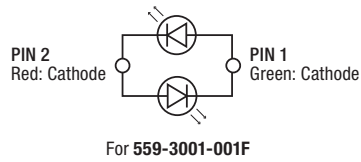
Single Color LED Schematic



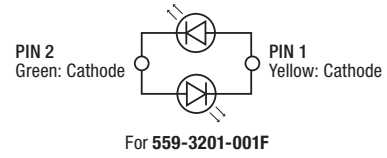
DIMENSIONS inches [mm]



Bi-Color Red/Green LED Schematic



Bi-Color Yellow/Green LED Schematic



ORDERING INFORMATION

LED Code	Color	Peak Wavelength (nm)	Intensity Typ. (mcd)	If Typ. (mA)	Vf Typ. (V DC)	Viewing Angle	Max DC Forward Current (mA)	Type	Operating Temp
5501	● Red	635	125	20	2.2	24	30	Non-Tinted/ Non-Diffused	-55 °C to +100 °C
5601	● Green	565	120		2.3	24	30		-20 °C to +100 °C
5701	● Yellow	583	140		2.1	24	20		-55 °C to +100 °C
5801	● Orange	605	90		2.2	20	50		-30 °C to +85 °C
5901	● Yellow	592	3100		2	15	50		-40 °C to +100 °C
6001	● Blue	470	1500		3.6	30	30		-30 °C to +85 °C
6101	● Red	635	2100		1.9	15	50		-40 °C to +100 °C
6201	● Green	525	5000		3.2	30	30		-30 °C to +85 °C
6301	● Orange	609	4000		1.9	15	50		-40 °C to +100 °C
6401	○ White	X = .31 Y = .32	2500		3.2	50	30		-30 °C to +85 °C
1101	● Red	635	2.3	2	1.7	50	7	Low Current Diffused	-55 °C to +100 °C
1201	● Yellow	583	1.8		1.9	50	7		
1301	● Green	565	1.8		1.8	50	7		
2101	● Red	650	6.3	10	2.2	50	20	Diffused	-25 °C to +85 °C
2201	● Green	563	10		2.1	65	25		-55 °C to +100 °C
2301	● Yellow	585	29		1.9	50	20		
2501	● Orange	600	7		1.9	60	30		
5101	● Red	635	40	10	2	50	25	Diffused	-40 °C to -100 °C
5201	● Green	565	19		2.1	50	30		-55 °C to +100 °C
5401	● Amber	610	50	20	2.1	50	20	Diffused	-40 °C to -100 °C
0102	● Red	635	8	10	5	60	15	5V Integral Resistor	-40 °C to +85 °C
0202	● Green	565	8	12	5	60	15		-20 °C to +85 °C
0302	● Yellow	583	8	10	5	60	15		-40 °C to +85 °C
0103	● Red	635	8	13	12	60	15	12V Integral Resistor	-55 °C to +100 °C
0203	● Green	565	8		12	60	15		-20 °C to +85 °C
0303	● Yellow	583	8		12	60	15		-40 °C to +85 °C
5904	● Yellow	592	3100	20	24	15	50	24V Integral Resistor	-30 °C to +85 °C
6104	● Red	635	2100		24	15	50		
6204	● Green	525	5000		24	30	50		
3001	● Red / Green	660 / 565	90 / 40	10	1.8 / 2.1	60	40 / 30	2 leaded Bi-color	-55 °C to +100 °C
3201	● Yellow / Green	589 / 571	30 / 50		2.1 / 2.1	50	20		-30 °C to +85 °C
3501	● Red / Green	635 / 565	5.0 / 8.0		2.1 / 2.3	65	30	3 leaded Bi-color	-20 °C to +85 °C
3601	● Yellow / Green	590 / 568	9 / 13.5	2 / 2.1	65	30			



Dialight reserves the right to make changes at any time in order to supply the best product possible. The most current version of this document will always be available at: www.dialightsignalsandcomponents.com

Warranty Statement: Except for the warranty expressly provided for at: www.dialight.com/resources/warranties/, Dialight disclaims any and all other warranties, express or implied, including, without limitation, any warranties of merchantability, fitness for a particular purpose, title, and noninfringement.