

Features

Frequency range : 4MHz to 125MHz
 Compact and thin
 SMD seam sealing ceramic package
 Supply voltage : 1.8V ~ 3.3V
 CMOS output
 Tri-state function available
 External dimensions (mm)
 L : 2.5 x W : 2.0 x H : 0.8
 RoHS compliant & Pb free

Applications

Mobile phone, Wearables
 Networking, Server, Storage
 Wireless communications
 Fibre channel, Ethernet, SATA, SAS,
 PCI-E, USB, WLAN, BT
 Notebook, HDD, SSD, Graphics card,
 Computer peripherals
 Audio, Video, Gaming, DSC, IP CAM,
 Portable consumer products

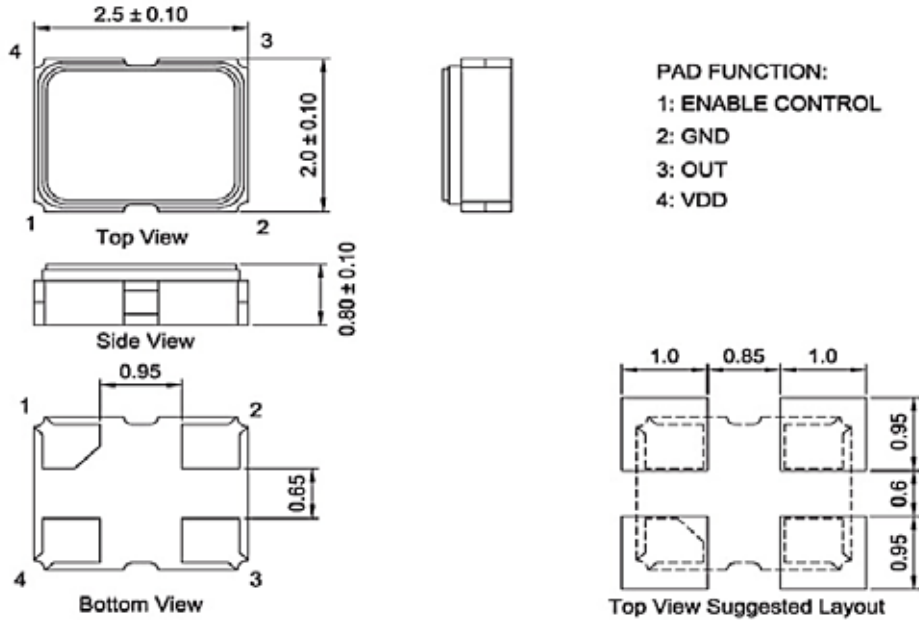
Electrical Characteristics

Item	8W	Conditions
Frequency Range (F ₀)	4MHz ~ 125MHz	
Frequency Stability (F _{stab})	±50ppm, ±25ppm	Note [1]
Operating Temperature Range (T _{OTR})	-40°C ~ +85°C	
Supply Voltage (V _{DD})	1.8V, 2.5V, 3.3V	V _{DD} ± 10%
Current Consumption (I _{DD})	10 mA Max.	
Output Type	CMOS	
Output Load (C _L)	15 pF	
Output Voltage High (V _{OH})	90% V _{DD} Min.	
Output Voltage Low (V _{OL})	10% V _{DD} Max.	
Rise & Fall Time (T _r / T _f)	5 ns Max.	10% ~ 90% of V _{DD}
Duty Cycle	45% ~ 55%	
Start-up Time	5 ms Max.	
Enable Voltage High, Logic "1"	70% V _{DD} Min.	Input to Pin1 Note [2]
Enable Voltage Low, Logic "0"	30% V _{DD} Max.	
Phase Jitter, RMS	1 ps Max.	Note [3]
Aging (F _{aging})	±3 ppm Max.	at 25°C±3°C, first year
Storage Temperature Range (T _{STR})	-55°C ~ +125°C	

Notes:

- [1] Inclusive of frequency tolerance at 25°C, 1st year aging at 25°C, and variations over operating temperature, supply voltage, and load.
 [2] Output will be enable if Pin1 is Logic "1" or Open; Output will be disable if Pin1 is Logic "0".
 [3] Freq. 10MHz~40MHz, integrated 12kHz~5MHz; Freq. >40MHz, integrated 12kHz~20MHz.

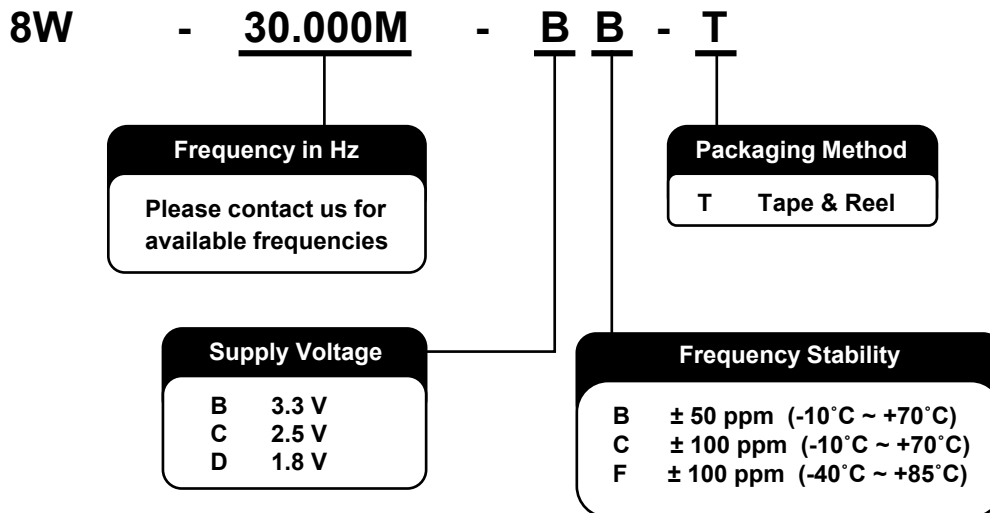
Dimensions



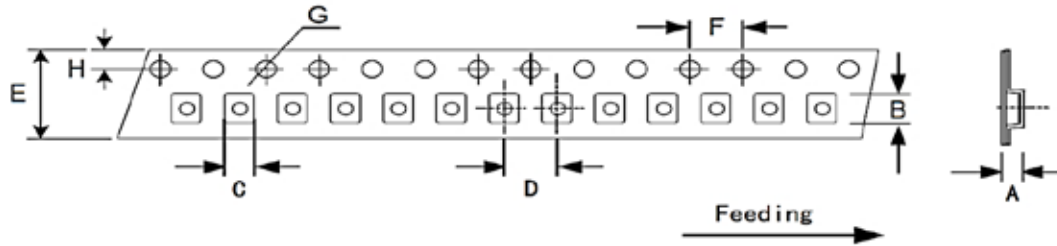
PAD FUNCTION:
 1: ENABLE CONTROL
 2: GND
 3: OUT
 4: VDD

(Unit: mm)

Ordering Information

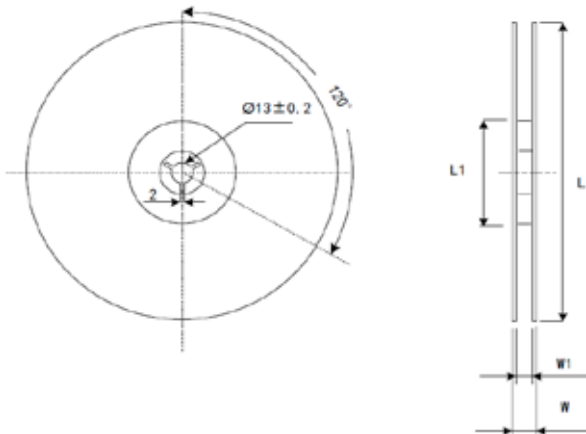


Packing



DIMENSIONS	A	B	C	D	E	F	G	H
		1.15 ±0.05	2.70 ±0.05	2.25 ±0.05	4.00 ±0.10	8.00 ±0.20	4.00 ±0.10	1.55 ±0.05

(Unit: mm)



DIMENSIONS	L	L1	W	W1
		180 0/-3	60 +1/0	11.4 ±0.1

(Unit: mm)

Reflow Profile

Solder melting point : $220^{\circ}\text{C} \pm 10^{\circ}\text{C}$, 60 sec. Min.

Peak temperature : $260^{\circ}\text{C} \pm 10^{\circ}\text{C}$, 10 sec. Min.

