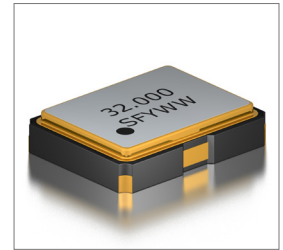


Features
<ul style="list-style-type: none"> ±2.5ppm (Frequency Stability) Available CMOS TCXO Tape and Reel

Applications
<ul style="list-style-type: none"> Base Stations IP networking Cellular and Cordless Phones



Part Numbering Guide

STC 22 C 33 O 48 - 32.000M

SUNTSU TCXO

2.5mm x 2.0mm

CMOS

SUPPLY VOLTAGE

18 : 1.8V±5%

25 : 2.5V±5%

27 : 2.7V±5%

28 : 2.8V±5%

30 : 3.0V±5%

33 : 3.3V±5%

FREQUENCY
MHz

OPERATING TEMPERATURE RANGE

07 : 0°C - +70°C

16 : -10°C - +60°C


17 : -10°C - +70°C

27 : -20°C - +70°C

38 : -30°C - +85°C

48 : -40°C - +85°C

FREQUENCY STABILITY
O : ±2.5ppm

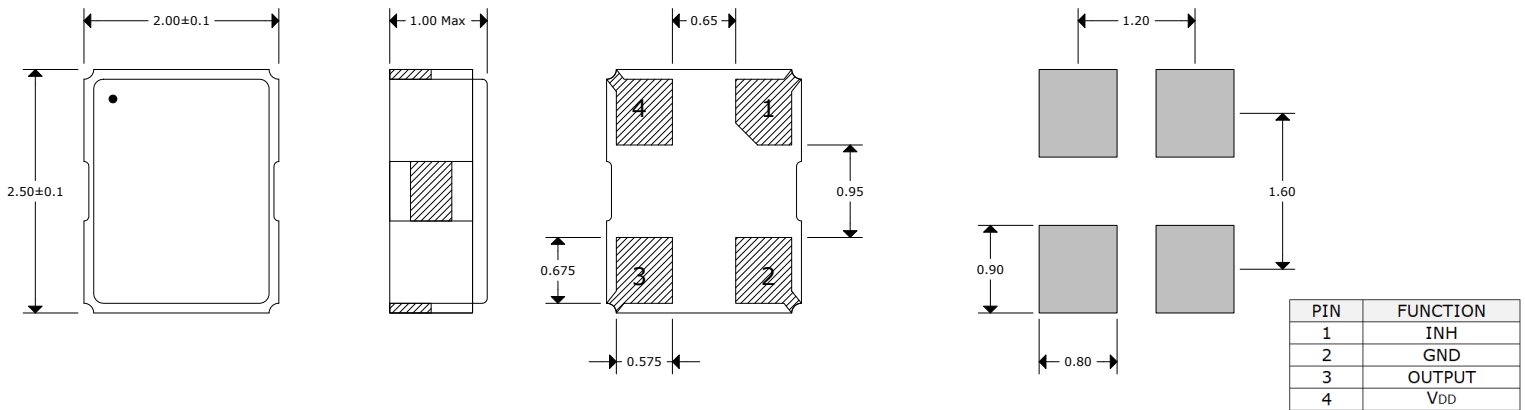
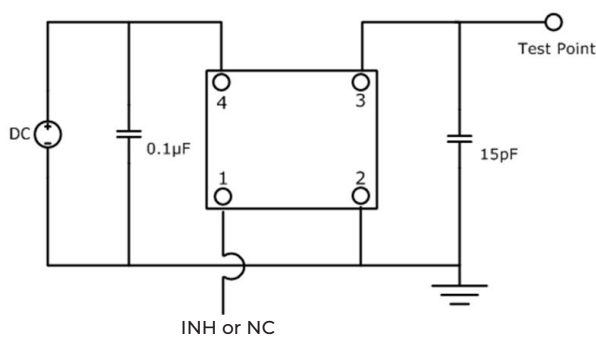


Cage Code: 4GUT4
To customize your parameters contact a Suntsu representative.

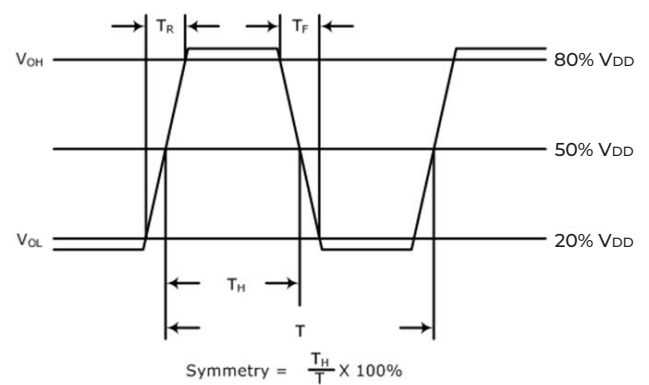
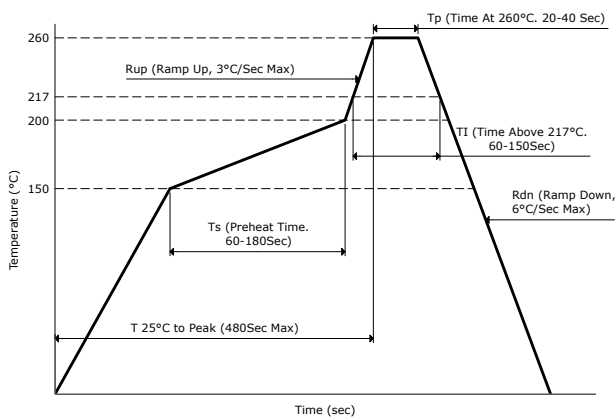
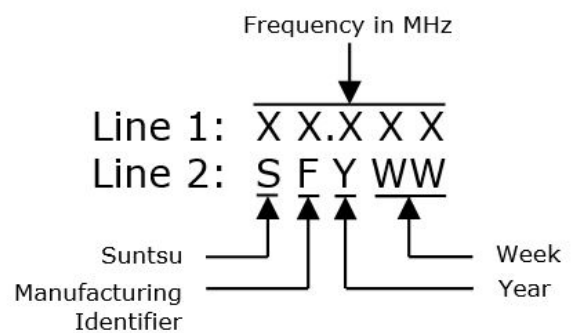
Electrical Parameters	Units	Minimum	Typical	Maximum	Remarks
Frequency Range	MHz	8		70	
Frequency Tolerance at +25°C	ppm	-2.0		2.0	After 2 times reflow
Freq. Stability vs. Op Temp.	ppm	-2.5		2.5	See part numbering guide for options.
Freq. Stability vs. Supply Voltage	ppm	-0.2		0.2	V _{DD} ±5% Change
Freq. Stability vs. Load	ppm	-0.2		0.2	±5% Change
Freq. Stability vs. Aging	ppm	-2.0		2.0	1 Year
Operating Temperature	°C	-40		85	See part numbering guide for options.
Storage Temperature	°C	-55		125	
Supply Voltage (V _{DD}) - 1.8V Option	V	1.710	1.8	1.890	
Supply Voltage (V _{DD}) - 2.5V Option	V	2.375	2.5	2.625	
Supply Voltage (V _{DD}) - 2.7V Option	V	2.565	2.7	2.835	
Supply Voltage (V _{DD}) - 2.8V Option	V	2.66	2.8	2.94	
Supply Voltage (V _{DD}) - 3.0V Option	V	2.85	3.0	3.15	
Supply Voltage (V _{DD}) - 3.3V Option	V	3.125	3.3	3.465	
Current (I _{DD})	mA			10	
Output Load (CMOS)	pF		15		
Output Logic HIGH Level (V _{OH})	V	0.8*V _{DD}			
Output Logic LOW Level (V _{OL})	V			0.2*V _{DD}	
Rise (T _R) And Fall (T _F) Time	ns			5	
Symmetry (Duty Cycle)	%	45		55	
Start-Up Time	ms			10	
Phase Noise (Typical) 10KHz Offset	dBc/Hz		-145		

Outline Drawing & Recommended Land Pattern

All dimensions are in millimeters (mm) unless otherwise noted. Drawings are not to scale.


Test Circuit (CMOS)


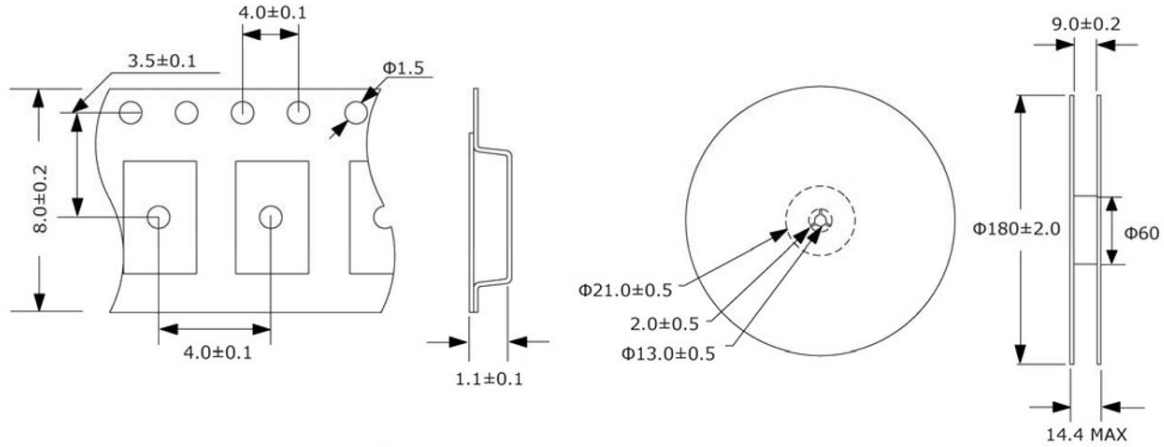
INH FUNCTION	
#1	#3 OUTPUT
OPEN	Active
"H" Level	Active
"L" Level	Oscillation Stopped

Waveform (CMOS)

Reflow Profile

Part Marking


Tape And Reel Dimensions

All dimensions are in millimeters (mm) unless otherwise noted. Drawings are not to scale.

3,000pcs/Reel



Environmental Specifications

Temperature Cycling	MIL-STD-883, Method 1010, Condition B
Fine Leak Test	MIL-STD-883, Method 1014, Condition A
Gross Leak Test	MIL-STD-883, Method 1014, Condition C
Solderability	MIL-STD-883, Method 2003
Moisture Sensitivity	J-STD-020, MSL 1

Mechanical Specifications

Mechanical Shock	MIL-STD-202, Method 213, Condition B
Vibration	MIL-STD-883, Method 2007, Condition A
Moisture Resistance	MIL-STD-883, Method 1004
Resistance to Solvents	MIL-STD-202, Method 215
Resistance to Soldering Heat	MIL-STD-202, Method 210, Condition K