

Key Features & Benefits:

- Selectable CCT and Wattage
- Strong Spring Clips Secure Fixture to Drywall, Ceiling Tiles, or Mounting Plate
- Multiple Color Trim Ring Accessories
- Wet Location Rated
- Energy Star Listed
- Cast Aluminum Housing and Trim

Project: _____

Date: _____

Catalog #: _____

Notes: _____

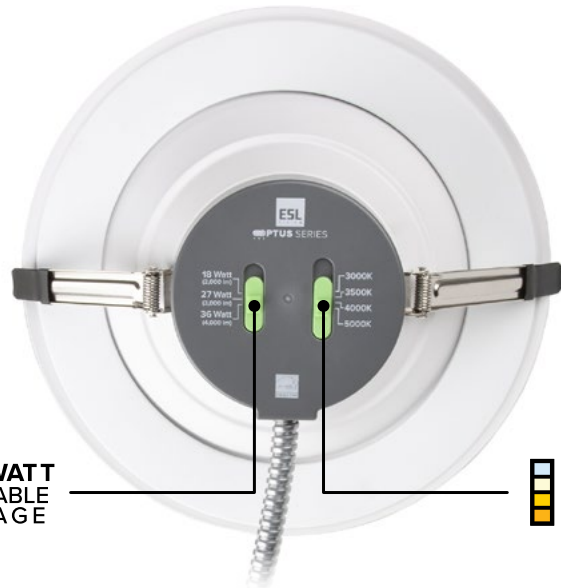


Product Specifications:

Selectable Wattage: 18W–27W–36W
 Selectable Kelvin:
 3000K–3500K–4000K–5000K
 Lumens: 2,000–3,000–4,000 Lumens
 Efficacy: Up to 111 lm/W
 CRI: 90+
 Input Voltage: 110–277 VAC
 Power Factor: >0.98
 Input Frequency: 50/60Hz
 Operating Temperature: -4°F to 104°F
 Operational Lifetime: 50,000 Hrs
 Dimming: 1–10V
 Product Weight (lbs): 1.36

Dimensions:

Fixture (ØxH): Ø11.25" x 4.38"
 Flexible Metal Conduit (MC) Length: 24"
 Wire Leads Length: 8.25"



**MULTIWATT
SELECTABLE
WATTAGE**

**4CCT
SELECTABLE
KELVIN**



Ordering Guide:

ESL	TYPE	SIZE	SELECTABLE WATTAGE	GENERATION	SELECTABLE KELVIN	OPTIONS
ESL	OPT (OPT) Optus Series	10 (10) Round 10"	1836W (1836W) 18W-27W-36W	2 (2) 2nd Generation	3050K (3050K) 3000K-3500K-4000K-5000K	

FACTORY INSTALLED OPTIONS

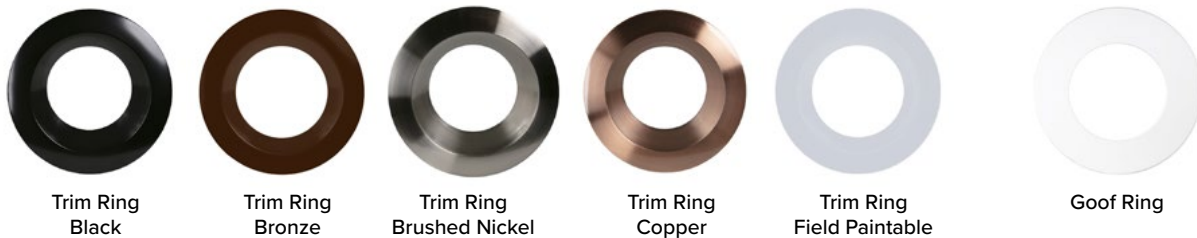
EM8	Emergency backup battery unit, auto test function, 8-watt output, 90-minute minimum, 100-347 VAC input, 170 VDC output, closed frame with flex conduits, UL listed for factory or field install, Li-ion battery. (SL6)
-----	--

FIELD INSTALLED ACCESSORIES

ESL-EMG-SL6-CSC-8W	Emergency backup battery unit, auto test function, 8-watt output, 90-minute minimum, 100-347 VAC input, 170 VDC output, closed frame with flex conduits, UL listed for factory or field install, Li-ion battery.
ESL-OPT2-4-Tff	4" OPTUS Field Installable Trim Kit
ESL-OPT2-6-Tff	6" OPTUS Field Installable Trim Kit
ESL-OPT2-8-Tff	8" OPTUS Field Installable Trim Kit
ESL-OPT2-10-Tff	10" OPTUS Field Installable Trim Kit
ESL-OPT2-4-RING	4" to 6" Goof Ring
ESL-OPT2-6-RING	6" to 8" Goof Ring
ESL-OPT2-8-RING	8" to 10" Goof Ring
ESL-OPT2-10-RING	10" to 12" Goof Ring
ESL-RDL-4-RKIT-001	4" New Construction Downlight Rough-In plate
ESL-RDL-6-RKIT-001	6" New Construction Downlight Rough-In plate
ESL-RDL-8-RKIT-001	8" New Construction Downlight Rough-In plate

Finishes: (ff)=(MW) Field Paintable, (BK) Black, (BN) Brushed Nickel, (BZ) Bronze, (CP) Copper

AVAILABLE ACCESSORIES SOLD SEPARATELY

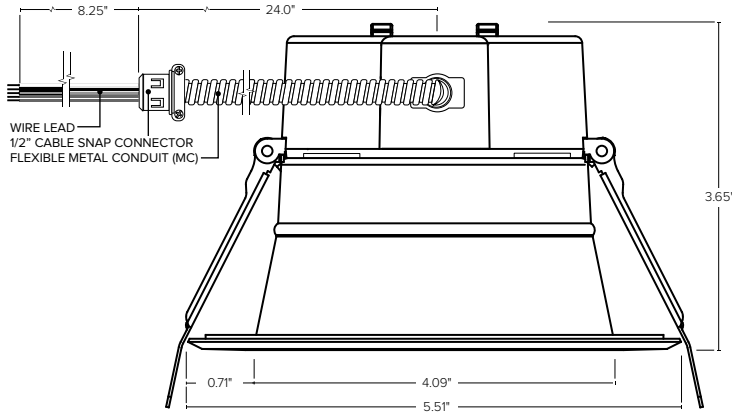


Catalog Data:

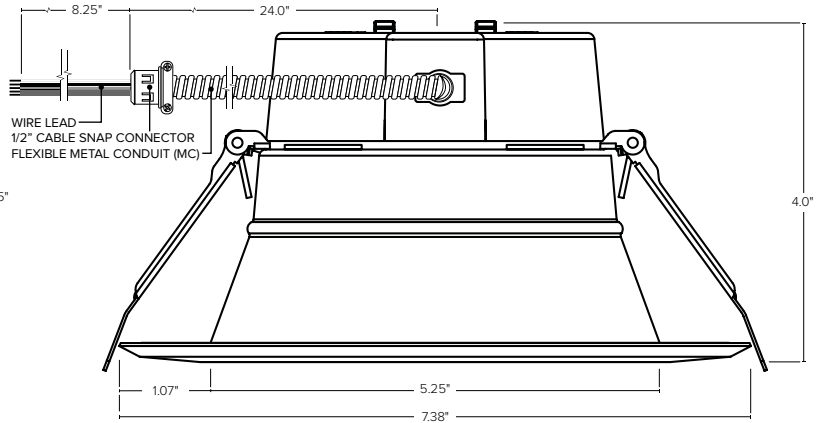
ITEM#	SELECTABLE WATTAGE	SELECTABLE KELVIN	MAX LUMEN OUTPUT	MAX EFFICACY (lm/W)	INPUT VOLTAGE	DIMENSIONS
4" ESL-OPT-4-0712W-23050K	7W-9W-12W	3000K-3500K-4000K-5000K	600-800-1,000	89	120-277 VAC	Ø5.51" x 3.65"
6" ESL-OPT-6-0919W-23050K	9W-12W-19W	3000K-3500K-4000K-5000K	900-1,200-2,000	105	120-277 VAC	Ø7.38" x 4.0"
8" ESL-OPT-8-1129W-23050K	11W-19W-29W	3000K-3500K-4000K-5000K	1,200-2,000-3,000	105	120-277 VAC	Ø9.44" x 4.38"
10" ESL-OPT-10-1836W-23050K	18W-27W-36W	3000K-3500K-4000K-5000K	2,000-3,000-4,000	111	120-277 VAC	Ø11.25" x 4.38"

Dimensions:

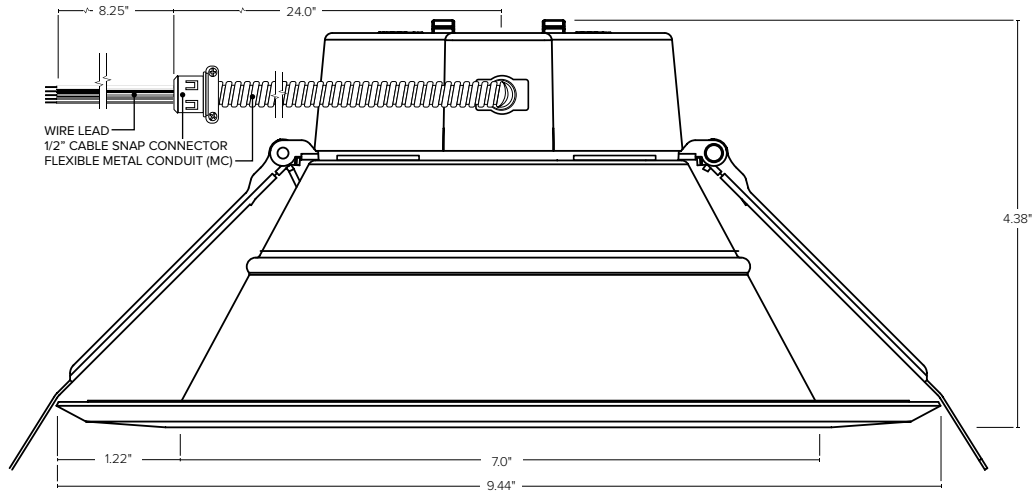
4" Fixture



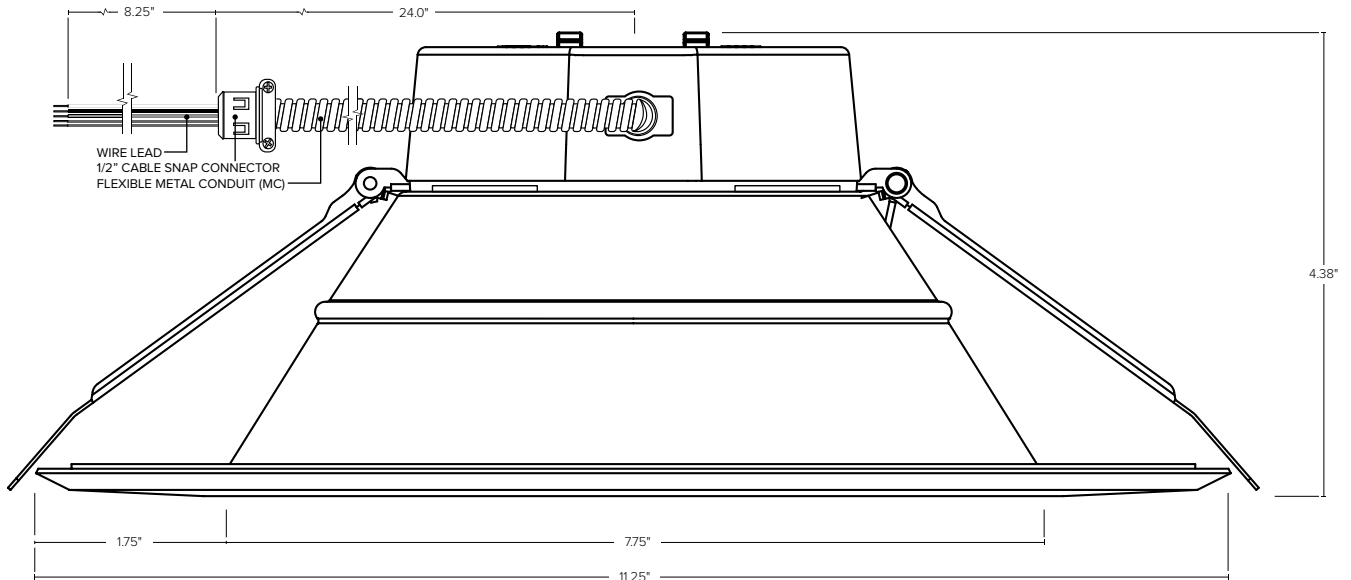
6" Fixture



8" Fixture



10" Fixture



Rough-In Plate Dimensions:

