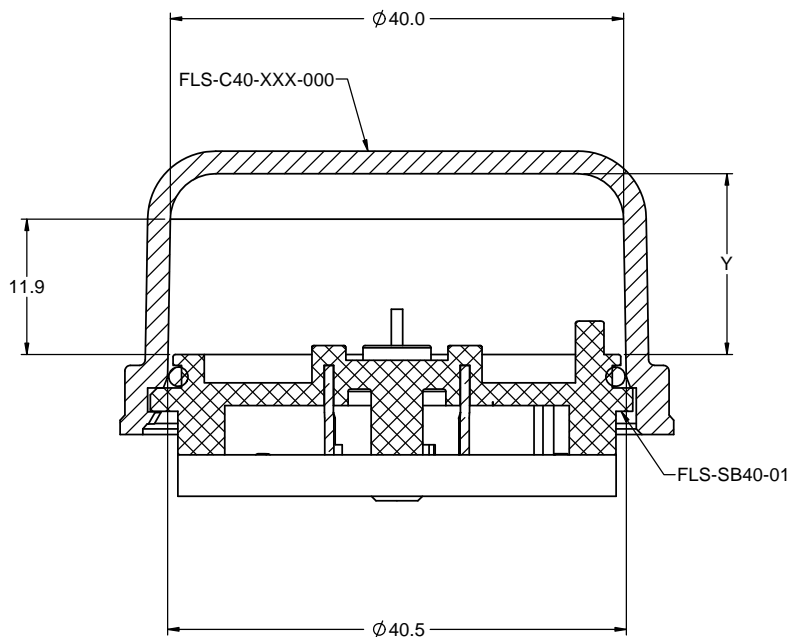
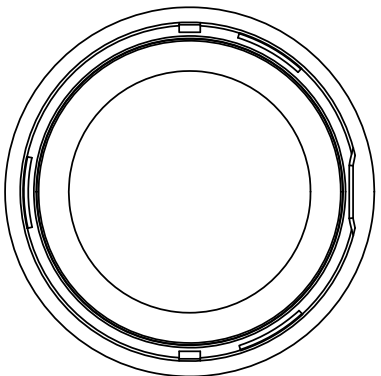
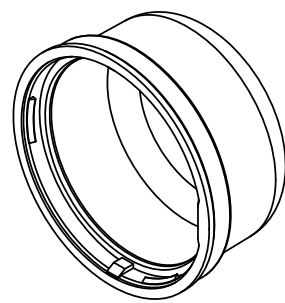
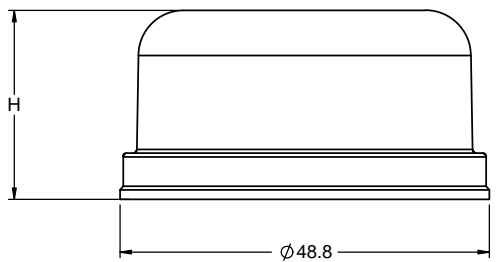


REVISIONS			
REV	DESCRIPTION, ECN, EAR NO.	DATE	APP'D
A	PROPOSAL DRAWING	AUG19/19	S.M
B	MODIFIED INTERNAL CAVITY	AUG22/19	S.M



NAMING SYSTEM FLS - C40 - XX X -000

HEIGHT "H" _____

XX	"H"	"Y"
25	25 mm	16.0 mm
40	40 mm	31.0 mm

COLOUR
1 - GREY
2 - CLEAR

NOTES:
MATERIALS:
HOUSING: POLYCARBONATE, UL 94-5V A RATED
COLOR: AS PER PART NUMBERING SYSTEM

AMPHENOL PART NUMBER: FLS-C40-XXX-000



UNLESS SPECIFIED OTHERWISE	DRAWN	I.NELSON	JUL31/19
PRIMARY UNITS MILLIMETERS	CHECKED	S.MUGAN	AUG19/19
SECONDARY	M.E. APP'D		
REFERENCE IN PARENTHESES	Q.A. APP'D		
GENERAL TOLERANCES	DWG APPR.		
1 DECIMAL PLACE ±0.2	ENG. REL. NO.		
2 DECIMAL PLACES	REF.		
3 DECIMAL PLACES	THIRD ANGLE PROJECTION		
ANGULAR DEGREES	DO NOT SCALE DRAWING		

Amphenol Canada Corp.
Commercial Products

FLS SERIES
DOME COVER 40 mm DIA
MULTIPLE HEIGHTS
RoHS COMPLIANT

DWG. NO. _____

P-FLS-C40-XXX-000

CODE ID NO. 03554 | DWG SIZE: X | SCALE: 2:1 | SHEET 1 OF 1

THIS DOCUMENT CONTAINS PROPRIETARY INFORMATION AND SUCH INFORMATION MAY NOT BE DISCLOSED TO OTHERS FOR ANY PURPOSE OR USED FOR MANUFACTURING PURPOSES WITHOUT WRITTEN PERMISSION FROM AMPHENOL CANADA CORP.