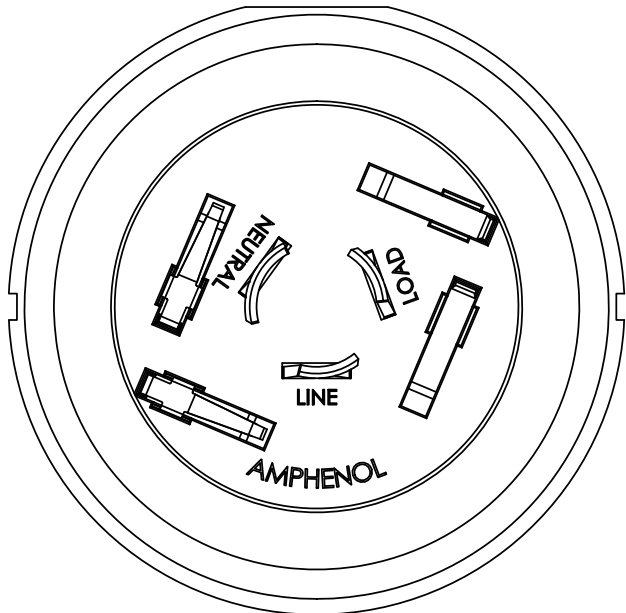
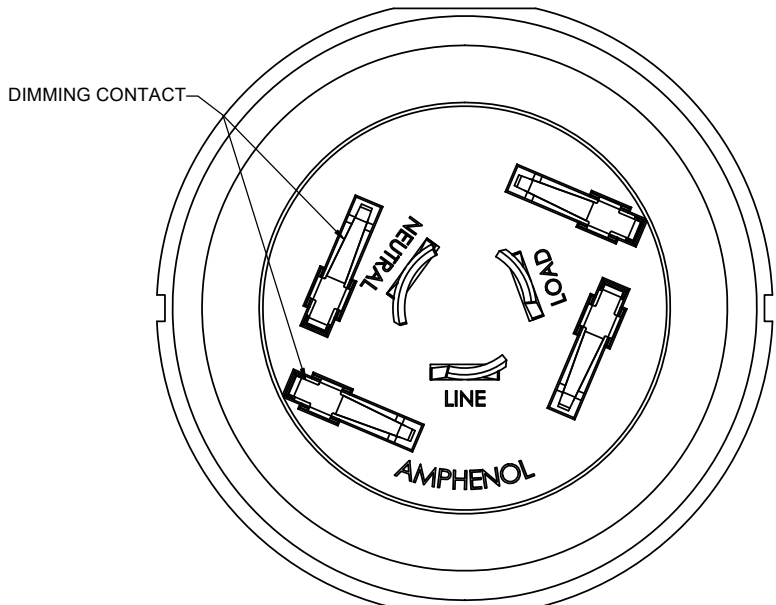
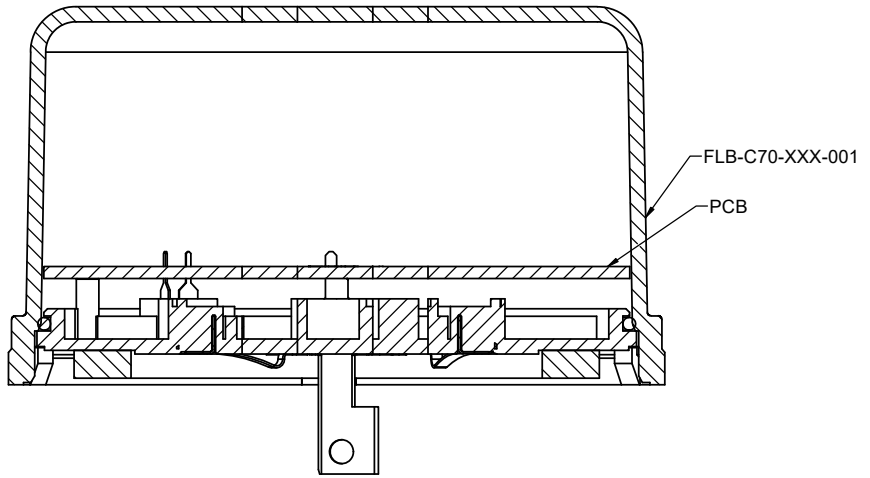




REVISIONS			
REV	DESCRIPTION, ECN, EAR NO.	DATE	APPD
D	UPDATED PRODUCT RELEASE	MAY12/20	S.M.
E	UPDATED PART NUMBER	JUN5/20	S.M.



FLB-P70-001 SHOWN  
NO DIMMING CONTACTS



FLB-P75-001  
2 DIMMING CONTACTS



UNLESS SPECIFIED OTHERWISE	DRAWN	S.MUGAN	APR01/08
PRIMARY UNITS MILLIMETRES	CHECKED	A.GREEN	APR01/08
SECONDARY INCHES	M.E. APPD		
REFERENCE IN PARENTHESES	Q.A. APPD		
GENERAL TOLERANCES	DWG APPR.		
1 DECIMAL PLACE ±0.X	ENG. REL. NO.		
2 DECIMAL PLACES ±0.XX	REF.		
3 DECIMAL PLACES ±0.XXX	THIRD ANGLE PROJECTION		
ANGULAR DEGREES ±X°	DO NOT SCALE DRAWING		

**Amphenol Canada Corp.**  
Commercial Products

FLB SERIES, DIMMING CONTROL  
LOCKING TYPE BASE,  
RoHS COMPLIANT

DWG. NO. P-FLB-P7X-001 REV E

CODE ID NO. 03554 DWG SIZE: X SCALE: 2:1 SHEET 2 OF 2

THIS DOCUMENT CONTAINS PROPRIETARY INFORMATION AND SUCH INFORMATION MAY NOT BE DISCLOSED TO OTHERS FOR ANY PURPOSE OR USED FOR MANUFACTURING PURPOSES WITHOUT WRITTEN PERMISSION FROM AMPHENOL CANADA CORP.