



2 Westbrook Corporate Center
Westchester, IL 60154
United States

To Whom It May Concern,

This is to inform you that Essentra has made the decision to update the tooling for our 07LN Lock Nut series. You are being notified because you have ordered one or more of these parts in the past.

Please see the included print below that calls out a comparison between the old tooling and new tooling. The updated tooling has removed the flange from the lock nut, which has made the height (B dimension) of the part slightly shorter.

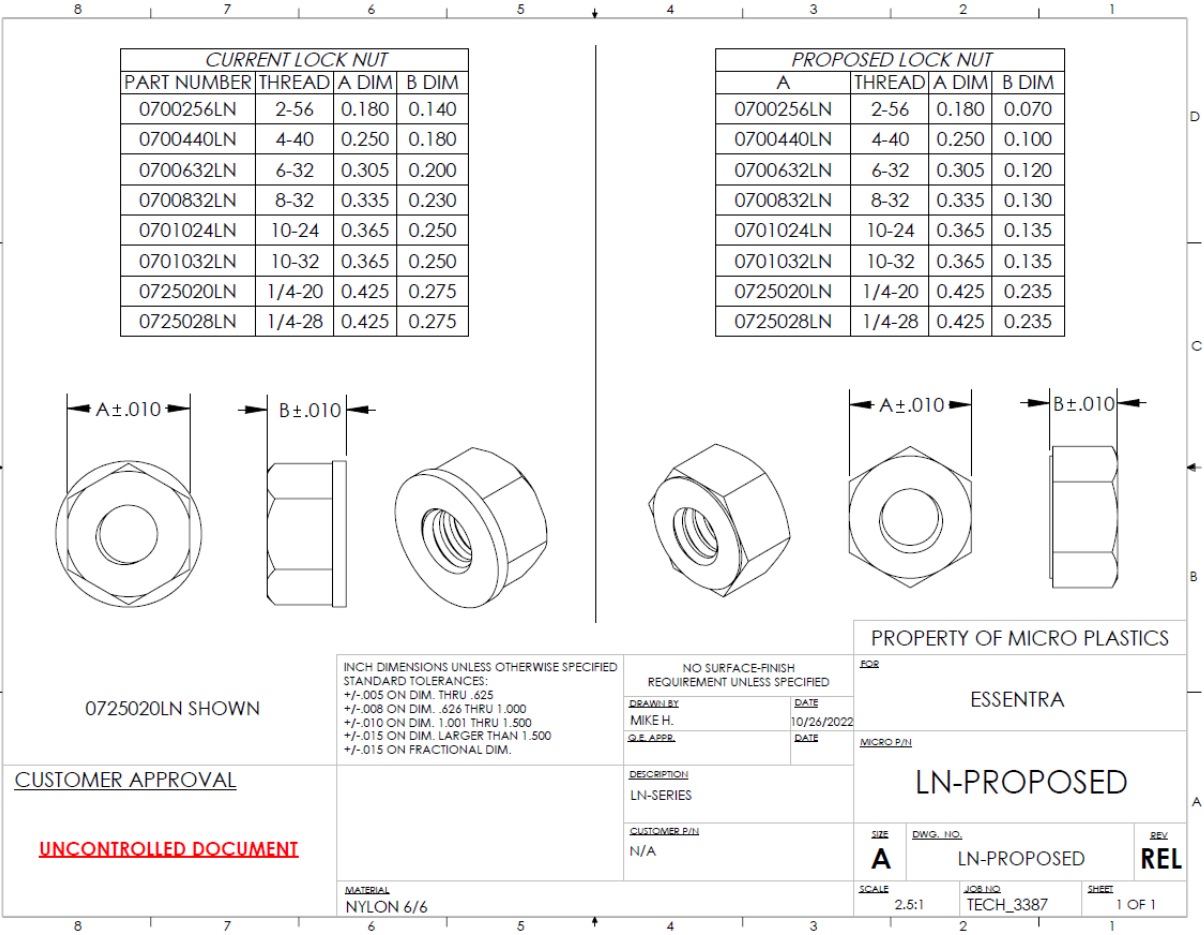
If you have further questions or would like to request samples, please speak with your sales contact.

Best Regards,

Greg Mifsud

Greg Mifsud

Director of Products & Pricing



CURRENT LOCK NUT			
PART NUMBER	THREAD	A DIM	B DIM
0700256LN	2-56	0.180	0.140
0700440LN	4-40	0.250	0.180
0700632LN	6-32	0.305	0.200
0700832LN	8-32	0.335	0.230
0701024LN	10-24	0.365	0.250
0701032LN	10-32	0.365	0.250
0725020LN	1/4-20	0.425	0.275
0725028LN	1/4-28	0.425	0.275

PROPOSED LOCK NUT			
A	THREAD	A DIM	B DIM
0700256LN	2-56	0.180	0.070
0700440LN	4-40	0.250	0.100
0700632LN	6-32	0.305	0.120
0700832LN	8-32	0.335	0.130
0701024LN	10-24	0.365	0.135
0701032LN	10-32	0.365	0.135
0725020LN	1/4-20	0.425	0.235
0725028LN	1/4-28	0.425	0.235

0725020LN SHOWN

CUSTOMER APPROVAL

UNCONTROLLED DOCUMENT

INCH DIMENSIONS UNLESS OTHERWISE SPECIFIED
 STANDARD TOLERANCES:
 +/- .005 ON DIM. THRU .625
 +/- .008 ON DIM. .626 THRU 1.000
 +/- .010 ON DIM. 1.001 THRU 1.500
 +/- .015 ON DIM. LARGER THAN 1.500
 +/- .015 ON FRACTIONAL DIM.

NO SURFACE-FINISH
 REQUIREMENT UNLESS SPECIFIED

DRAWN BY	DATE
MIKE H.	10/26/2022
C.E. APPR.	DATE

DESCRIPTION:
 LN-SERIES

CUSTOMER P/N:
 N/A

MATERIAL
 NYLON 6/6

PROPERTY OF MICRO PLASTICS

ESSENTRA

LN-PROPOSED

SIZE	DWG. NO.	REV
A	LN-PROPOSED	REL

SCALE	JOB NO.	SHEET
2.5:1	TECH_3387	1 OF 1