

IN HIGH TEMPERATURE, LOW TEMPERATURE. HIGH HUMIDITY ENVIRONMENT. CONDENSATION OF ATMOSPHERE MUST BE AVOIDED IN MOTOR USAGE OR OPENING THE PACKAGING OF THE MOTOR.

7.4 马达应适当的操作、储存和运转环境中均不可存在腐蚀性气体。例如：H2S、SO2、NO2、CL2 等。另外存储环境中不可有诸如硅、氰、甲醛水和苯酚等能放射出腐蚀性气体的物质，在电机的机械构造或装置中，如果存在腐蚀性气体，那么这会引起马达不运转。

FOR PROPER OPERATION, STORAGE AND OPERATING ENVIRONMENT MUST NOT CONTAIN CORROSIVE GASES. FOR EXAMPLE H2S. SO2. NO2. CL2. ETC. IN ADDITION STORAGE ENVIRONMENT MUST NOT HAVE MATERIALS THAT EMIT CORROSIVE GASES ESPECIALLY FROM SILICON, CYANIC. FORMALIN AND PHENOL GROUP. IN THE MECHANISM OR THE SET. EXISTENCE OF CORROSIVE GASES MAY CAUSE NO ROTATION IN MOTOR.

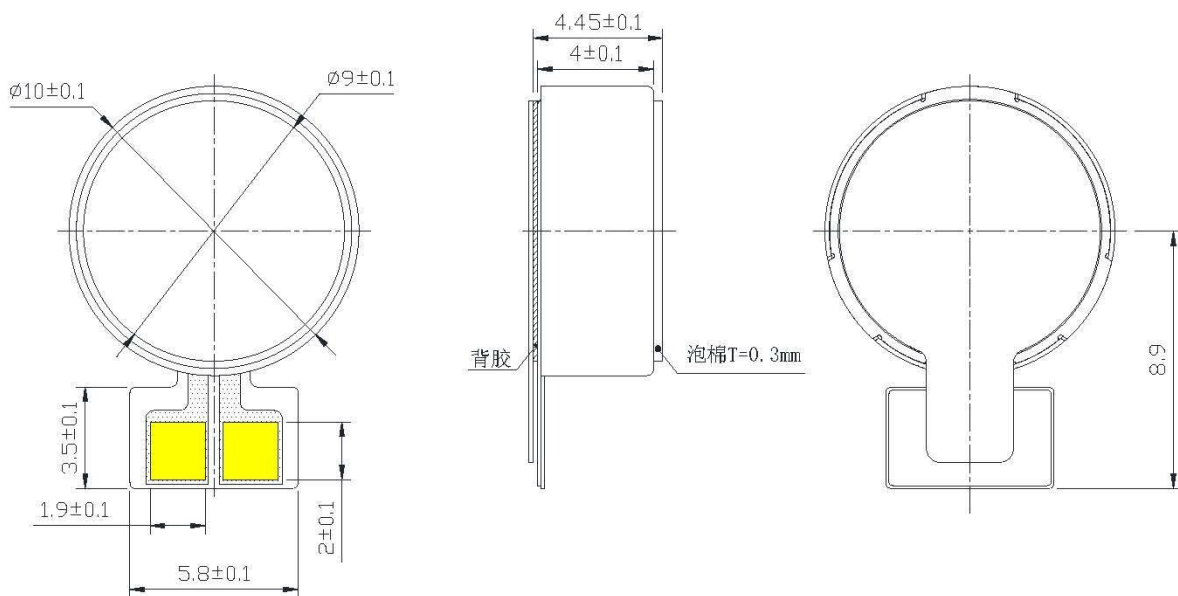
7.5 注意马达的工作环境，避免含铁质等物体被马达吸住，否则马达将会产生噪声，性能会降低，从而减少产品可靠性。

DUE ATTENTION MUST BE PAID TO THE HANDLING AND WORKING ENVIRONMENTS BECAUSE SUCH OBJECTS AS IRON POWDER IF ATTRACTED BY THE MOTOR MAGNET, WILL CAUSE NOISE, CHARACTERISTIC DETERIORATION THUS REDUCING THE RELIABILITY.

7.6 请不要在接近强磁场或有强磁场的仪器设备处保存或工作

PLEASE DO NOT KEEP OR WORK AT THE INSTRUMENTS AND EQUIPMENT CLOSE TO OR WITH STRONG MAGNETIC FIELD.

8、产品外形图 / PRODUCE OUTLINE DRAWING / JYLRA1040ZF



Technical Requirements:
 Rated Voltage (Vac RMS): 2.5v
 Rated Current MAX (mA): 110 mArms
 Rated Frequency: 180Hz
 Resonant Frequency: 180±10Hz
 Vibration Force (Grms): 2.2
 Vibration Direction: Z-AXIS

硬度	投影角 第一角	未注公差 ±0.05/±0.5	材料	比例 10/1	日期 2022.09.09
设计	审核	批准: YCD	名称		
JIE YI ELECTRONICS LIMITED			型号	JYLRA1040ZF	
			图号		