

VS-PPC-C1-RJ45-POBK-PG9-4Q5 - RJ45 connector



1608126

<https://www.phoenixcontact.com/us/products/1608126>

Please be informed that the data shown in this PDF document is generated from our online catalog. Please find the complete data in the user documentation. Our general terms of use for downloads are valid.



RJ45 connector, degree of protection: IP65/IP67, number of positions: 4, CAT5 (IEC 11801:2002), material: Plastic, connection method: IDC fast connection, connection cross section: AWG 26- 22, cable outlet: straight, color: black, Ethernet

Commercial data

| | |
|--------------------------------------|---------------------|
| Item number | 1608126 |
| Packing unit | 1 pc |
| Minimum order quantity | 1 pc |
| Sales key | AB17 |
| Product key | ABNOAA |
| Catalog page | Page 358 (C-2-2019) |
| GTIN | 4046356159968 |
| Weight per piece (including packing) | 32.7 g |
| Weight per piece (excluding packing) | 31.8 g |
| Customs tariff number | 85366990 |
| Country of origin | DE |

Technical data

Notes

| | |
|---------|--|
| General | This product corresponds to the PROFINET Cabling and Interconnection Technology Guideline for PROFINET regulations, version 2.00, order no: 2.252, Chapter 8.2 Connectors for Outside Environment (Balanced cabling) and chapter 13 Application specific Cabling and Interconnection Technology (AIDA) |
|---------|--|

Product properties

| | |
|----------------------|-----------------------------|
| Product type | Data connector (cable side) |
| Type | RJ45 |
| Sensor type | Ethernet |
| Number of positions | 4 |
| No. of cable outlets | 1 |
| Shielded | yes |
| Cable outlet | straight |

Insulation characteristics

| | |
|----------------------|---|
| Overvoltage category | I |
| Degree of pollution | 2 |

Electrical properties

| | |
|---|--|
| Rated voltage (III/3) | 72 V (DC) |
| Rated current | 1.75 A |
| Nominal voltage U_N | 48 V |
| Nominal current I_N | 1 A |
| Contact resistance | 0.001 Ω (Wire – IDC) 0.005 Ω (Litz wires – IDC) |
| Transmission medium | Copper |
| Transmission characteristics (category) | CAT5 |
| Transmission speed | 100 Mbps |

Connection data

Connection technology

| | |
|------------------------------|---|
| Connection method | IDC fast connection |
| Connection cross section AWG | 26 ... 22 (solid) 26 ... 22 (flexible) |
| Conductor cross section | 0.13 mm ² ... 0.32 mm ² (solid) 0.14 mm ² ... 0.36 mm ² (flexible) |

Dimensions

| | |
|--------|-------|
| Width | 22 mm |
| Height | 30 mm |

VS-PPC-C1-RJ45-POBK-PG9-4Q5 - RJ45 connector



1608126

<https://www.phoenixcontact.com/us/products/1608126>

| | |
|--------|-------|
| Length | 70 mm |
|--------|-------|

Material specifications

| | |
|--|--------------------------|
| Color | black |
| Material | Plastic |
| Flammability rating according to UL 94 | V0 |
| Seal material, O-ring | NBR |
| Seal material cable seal | TPE |
| Seal material | NBR |
| Seal material, pin connector pattern | NBR |
| Housing material | Plastic |
| Cable seal material | TPE |
| Contact material | CuSn |
| Contact surface material | Au/Ni |
| Contact carrier material | PC |
| O-ring material | NBR |
| Material for screw connection | PA |
| Outer sheath, material | PVC |
| Conductor material | Tin-plated Cu litz wires |

Cable/line

| | |
|-------------------------|--------------------------|
| Cable structure | 1x4xAWG22/7, SF/TQ |
| External cable diameter | 5 mm ... 8 mm |
| Outer sheath, material | PVC |
| Cable cross section | 0.4 mm ² |
| Conductor material | Tin-plated Cu litz wires |

Mechanical properties

Mechanical data

| | |
|-----------------------------|-------|
| Insertion/withdrawal cycles | ≥ 500 |
|-----------------------------|-------|

Environmental and real-life conditions

Ambient conditions

| | |
|---------------------------------|------------------|
| Degree of protection | IP65/IP67 |
| Ambient temperature (operation) | -10 °C ... 60 °C |

Standards and regulations

| | |
|--------------------------|---------------------|
| Standards/specifications | IEC PAS 61076-3-117 |
|--------------------------|---------------------|

VS-PPC-C1-RJ45-POBK-PG9-4Q5 - RJ45 connector

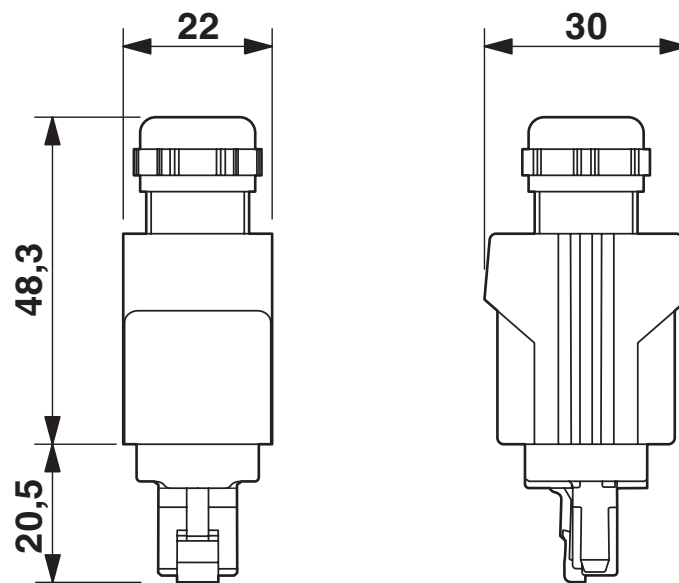
1608126

<https://www.phoenixcontact.com/us/products/1608126>



Drawings

Dimensional drawing



Push-pull RJ45 connector IP65/67

VS-PPC-C1-RJ45-POBK-PG9-4Q5 - RJ45 connector





1608126

<https://www.phoenixcontact.com/us/products/1608126>

Approvals

To download certificates, visit the product detail page: <https://www.phoenixcontact.com/us/products/1608126>

|  cUL Recognized Approval ID: FILE E 118976 | | | | |
|---|-----------------------|-----------------------|-------------------|-----------------------------|
| | Nominal voltage U_N | Nominal current I_N | Cross section AWG | Cross section mm^2 |
| Only rigid conductors | 50 V | 1.75 A | - 22 | - |

|  UL Recognized Approval ID: FILE E 118976 | | | | |
|--|-----------------------|-----------------------|-------------------|-----------------------------|
| | Nominal voltage U_N | Nominal current I_N | Cross section AWG | Cross section mm^2 |
| Only rigid conductors | 50 V | 1.75 A | - 22 | - |

cULus Recognized

VS-PPC-C1-RJ45-POBK-PG9-4Q5 - RJ45 connector



1608126

<https://www.phoenixcontact.com/us/products/1608126>

Classifications

ECLASS

| | |
|-------------|----------|
| ECLASS-11.0 | 27440101 |
| ECLASS-12.0 | 27440113 |
| ECLASS-13.0 | 27440116 |

ETIM

| | |
|----------|----------|
| ETIM 9.0 | EC002636 |
|----------|----------|

UNSPSC

| | |
|-------------|----------|
| UNSPSC 21.0 | 39121400 |
|-------------|----------|

1608126

<https://www.phoenixcontact.com/us/products/1608126>

Environmental product compliance

EU RoHS

| | |
|---|--------------------|
| Fulfills EU RoHS substance requirements | Yes, No exemptions |
|---|--------------------|

China RoHS

| | |
|--|--|
| Environment friendly use period (EFUP) | EFUP-E |
| | No hazardous substances above the limits |

EU REACH SVHC

| | |
|-------------------------------------|---|
| REACH candidate substance (CAS No.) | 6,6'-di-tert-butyl-2,2'-methylenedi-p-cresol(CAS: 119-47-1) |
| SCIP | 82bdb982-2f5a-4549-9e34-1808262756ae |

VS-PPC-C1-RJ45-POBK-PG9-4Q5 - RJ45 connector

1608126

<https://www.phoenixcontact.com/us/products/1608126>



Accessories

VS-CABLE-STRIP-VARIO - Stripping tool

1657407

<https://www.phoenixcontact.com/us/products/1657407>

Stripping tool, for the multi-level stripping of shielded cables



Phoenix Contact 2024 © - all rights reserved
<https://www.phoenixcontact.com>

Phoenix Contact USA
586 Fulling Mill Road
Middletown, PA 17057, United States
(+717) 944-1300
info@phoenixcon.com