

VS-PPC-C1-RJ45-MNNA-PG9-8Q5 - RJ45 connector



1608016

<https://www.phoenixcontact.com/us/products/1608016>

Please be informed that the data shown in this PDF document is generated from our online catalog. Please find the complete data in the user documentation. Our general terms of use for downloads are valid.



RJ45 connector, degree of protection: IP65/IP67, number of positions: 8, 1 Gbps, CAT5 (IEC 11801:2002), material: Metal, connection method: IDC fast connection, connection cross section: AWG 26- 22, cable outlet: straight, color: silver, Ethernet

Commercial data

| | |
|--------------------------------------|---------------------|
| Item number | 1608016 |
| Packing unit | 1 pc |
| Minimum order quantity | 1 pc |
| Sales key | AB17 |
| Product key | ABNOAA |
| Catalog page | Page 359 (C-2-2019) |
| GTIN | 4046356131681 |
| Weight per piece (including packing) | 70.9 g |
| Weight per piece (excluding packing) | 67.24 g |
| Customs tariff number | 85366990 |
| Country of origin | DE |

VS-PPC-C1-RJ45-MNNA-PG9-8Q5 - RJ45 connector



1608016

<https://www.phoenixcontact.com/us/products/1608016>

Technical data

Notes

| | |
|---------|--|
| General | This product corresponds to the PROFINET Cabling and Interconnection Technology Guideline for PROFINET regulations, version 3.01, Order No. 2252 |
|---------|--|

Product properties

| | |
|----------------------|-----------------------------|
| Product type | Data connector (cable side) |
| Type | RJ45 |
| Sensor type | Ethernet |
| Number of positions | 8 |
| Connection profile | RJ45 |
| No. of cable outlets | 1 |
| Type | RJ45 |
| Shielded | yes |
| Cable outlet | straight |

Insulation characteristics

| | |
|----------------------|---|
| Overvoltage category | I |
| Degree of pollution | 2 |

Electrical properties

| | |
|---|--|
| Rated voltage (III/3) | 72 V (DC) |
| Rated current | 1.75 A |
| Nominal voltage U_N | 48 V |
| Nominal current I_N | 1.75 A |
| Contact resistance | 0.001 Ω (Wire – IDC) 0.005 Ω (Litz wires – IDC) |
| Transmission medium | Copper |
| Transmission characteristics (category) | CAT5 |
| Transmission speed | 1 Gbps |

Connection data

Connection technology

| | |
|------------------------------|---|
| Connection method | IDC fast connection |
| Connection cross section AWG | 26 ... 22 (solid) 26 ... 22 (flexible) |
| Conductor cross section | 0.13 mm ² ... 0.32 mm ² (solid) 0.14 mm ² ... 0.36 mm ² (flexible) |

Dimensions

| | |
|--------|-------|
| Width | 22 mm |
| Height | 30 mm |

VS-PPC-C1-RJ45-MNNA-PG9-8Q5 - RJ45 connector



1608016

<https://www.phoenixcontact.com/us/products/1608016>

| | |
|--------|-------|
| Length | 72 mm |
|--------|-------|

Material specifications

| | |
|--|---------------|
| Color | silver |
| Material | Metal |
| Flammability rating according to UL 94 | V0 |
| Seal material, O-ring | NBR |
| Seal material cable seal | TPE |
| Seal material | NBR |
| Seal material, pin connector pattern | NBR |
| Housing material | Metal |
| Housing surface material | nickel-plated |
| Cable seal material | TPE |
| Contact material | CuSn |
| Contact surface material | Au/Ni |
| Contact carrier material | PC |
| O-ring material | NBR |
| Material for screw connection | CuZn |

Cable/line

| | |
|-------------------------|----------------------|
| External cable diameter | 5 mm ... 8 mm |
| External cable diameter | 5 mm ... 8 mm |
| Cable cross section | 0.14 mm ² |

Mechanical properties

Mechanical data

| | |
|-----------------------------|-------|
| Insertion/withdrawal cycles | ≥ 250 |
|-----------------------------|-------|

Environmental and real-life conditions

Ambient conditions

| | |
|---|------------------|
| Degree of protection | IP65/IP67 |
| Ambient temperature (operation) | -40 °C ... 70 °C |
| Ambient temperature (storage/transport) | -40 °C ... 80 °C |
| Ambient temperature (assembly) | -5 °C ... 45 °C |

Standards and regulations

| | |
|--------------------------|---------------------|
| Standards/specifications | IEC PAS 61076-3-117 |
|--------------------------|---------------------|

VS-PPC-C1-RJ45-MNNA-PG9-8Q5 - RJ45 connector

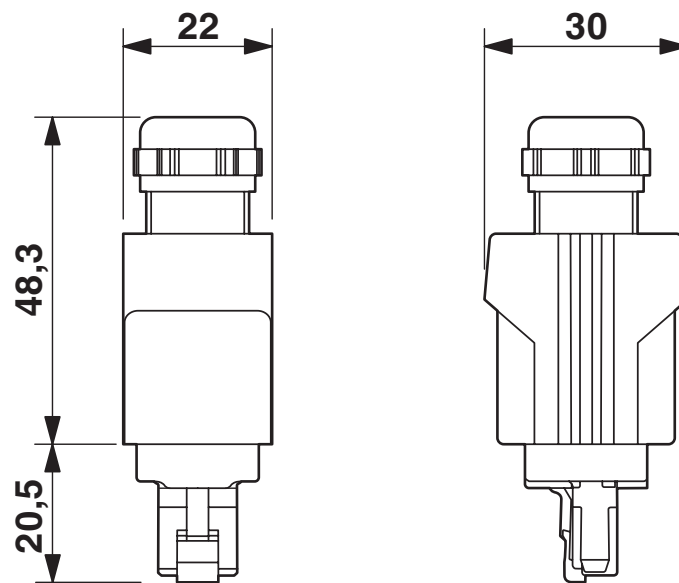
1608016

<https://www.phoenixcontact.com/us/products/1608016>



Drawings

Dimensional drawing



Push-pull RJ45 connector IP65/67

VS-PPC-C1-RJ45-MNNA-PG9-8Q5 - RJ45 connector





1608016

<https://www.phoenixcontact.com/us/products/1608016>

Approvals

To download certificates, visit the product detail page: <https://www.phoenixcontact.com/us/products/1608016>

|  cUL Recognized Approval ID: FILE E 118976 | | | | |
|---|-----------------------|-----------------------|-------------------|-----------------------------|
| | Nominal voltage U_N | Nominal current I_N | Cross section AWG | Cross section mm^2 |
| | 50 V | 1.75 A | - 22 | - |

|  UL Recognized Approval ID: FILE E 118976 | | | | |
|--|-----------------------|-----------------------|-------------------|-----------------------------|
| | Nominal voltage U_N | Nominal current I_N | Cross section AWG | Cross section mm^2 |
| | 50 V | 1.75 A | - 22 | - |

cULus Recognized

VS-PPC-C1-RJ45-MNNA-PG9-8Q5 - RJ45 connector



1608016

<https://www.phoenixcontact.com/us/products/1608016>

Classifications

ECLASS

| | |
|-------------|----------|
| ECLASS-11.0 | 27440101 |
| ECLASS-12.0 | 27440113 |
| ECLASS-13.0 | 27440116 |

ETIM

| | |
|----------|----------|
| ETIM 9.0 | EC002636 |
|----------|----------|

UNSPSC

| | |
|-------------|----------|
| UNSPSC 21.0 | 39121400 |
|-------------|----------|

VS-PPC-C1-RJ45-MNNA-PG9-8Q5 - RJ45 connector



1608016

<https://www.phoenixcontact.com/us/products/1608016>

Environmental product compliance

EU RoHS

| | |
|---|--------------------|
| Fulfills EU RoHS substance requirements | Yes, No exemptions |
|---|--------------------|

China RoHS

| | |
|--|--|
| Environment friendly use period (EFUP) | EFUP-E |
| | No hazardous substances above the limits |

EU REACH SVHC

| | |
|-------------------------------------|---|
| REACH candidate substance (CAS No.) | 6,6'-di-tert-butyl-2,2'-methylenedi-p-cresol(CAS: 119-47-1) |
| SCIP | 6ecc2b5f-8b5a-45ae-a6a1-6ca00e65005d |

VS-PPC-C1-RJ45-MNNA-PG9-8Q5 - RJ45 connector



1608016

<https://www.phoenixcontact.com/us/products/1608016>

Accessories

VS-CABLE-STRIP-VARIO - Stripping tool

1657407

<https://www.phoenixcontact.com/us/products/1657407>

Stripping tool, for the multi-level stripping of shielded cables



VS-OE-OE-93B/... - Data cable

1417362

<https://www.phoenixcontact.com/us/products/1417362>



Data cable, PROFINET CAT5 (100 Mbps), 4-position, PVC/PVC, green RAL 6018, shielded (Aluminum-coated foil, tinned copper braided shield), free cable end, on free cable end, cable length: Free entry (0.5 ... 400 m)

VS-PPC-C1-RJ45-MNNA-PG9-8Q5 - RJ45 connector



1608016

<https://www.phoenixcontact.com/us/products/1608016>

CUC-V14-F1ZNI-EM/R40 - Panel mounting frames

1413963

<https://www.phoenixcontact.com/us/products/1413963>



RJ45 panel mounting frame, IP67, for push-pull interlocking, metal, for PCB connection, for square panel cutout, with grommet and mounting screws

Phoenix Contact 2024 © - all rights reserved

<https://www.phoenixcontact.com>

Phoenix Contact USA
586 Fulling Mill Road
Middletown, PA 17057, United States
(+717) 944-1300
info@phoenixcon.com