

CUC-V14-C1ZNI-S/R4E8:10 - RJ45 connector



1422680

<https://www.phoenixcontact.com/us/products/1422680>

Please be informed that the data shown in this PDF document is generated from our online catalog. Please find the complete data in the user documentation. Our general terms of use for downloads are valid.



RJ45 connector, degree of protection: IP65/IP67, number of positions: 8, 1 Gbps, CAT5 (IEC 11801:2002), material: Metal, connection method: IDC fast connection, connection cross section: AWG 26- 24, cable outlet: straight

Your advantages

- Push-pull ADVANCE connector
- Locking system to prevent inadvertent release
- Protected data transmission thanks to 360° shielding concept
- Highest ESD and EMC resistance for reliable transmission

Commercial data

Item number	1422680
Packing unit	10 pc
Minimum order quantity	10 pc
Note	Made to order (non-returnable)
Sales key	AB17
Product key	ABNOAA
Catalog page	Page 362 (C-2-2017)
GTIN	4055626311425
Weight per piece (including packing)	97.26 g
Weight per piece (excluding packing)	97.26 g
Customs tariff number	85366990
Country of origin	PL

CUC-V14-C1ZNI-S/R4E8:10 - RJ45 connector



1422680

<https://www.phoenixcontact.com/us/products/1422680>

Technical data

Notes

General	This product corresponds to the PROFINET Cabling and Interconnection Technology Guideline for PROFINET regulations, version 3.01, Order No. 2252
---------	--

Product properties

Product type	Data connector (cable side)
Type	RJ45
Number of positions	8
Connection profile	RJ45
No. of cable outlets	1
Type	Version 14
Cable outlet	straight

Insulation characteristics

Overvoltage category	I
Degree of pollution	2

Electrical properties

Rated voltage (III/3)	72 V (DC)
Rated current	1.75 A
Frequency range	to 100 MHz
Transmission medium	Copper
Transmission characteristics (category)	CAT5
Transmission speed	1 Gbps
Power transmission	PoE++

Connection data

Connection technology

Connection method	IDC fast connection
Connection technology	QUICKON connection
Connection cross section AWG	26 ... 24 (solid) 26 ... 24 (flexible)
Conductor cross section	0.14 mm ² ... 0.23 mm ² (solid) 0.14 mm ² ... 0.25 mm ² (flexible)

Dimensions

Width	22 mm
Height	34 mm
Length	80 mm

Material specifications

CUC-V14-C1ZNI-S/R4E8:10 - RJ45 connector



1422680

<https://www.phoenixcontact.com/us/products/1422680>

Flammability rating according to UL 94	V0
Seal material	NBR
Housing material	Metal
Housing surface material	nickel-plated
Contact material	Copper alloy
Contact surface material	Gold over nickel
Contact carrier material	PC

Cable/line

External cable diameter	5.5 mm ... 10 mm
External cable diameter	5.5 mm ... 10 mm
Cable cross section	0.14 mm ²

Mechanical properties

Mechanical data

Insertion/withdrawal cycles	≥ 750
-----------------------------	-------

Environmental and real-life conditions

Ambient conditions

Degree of protection	IP65/IP67
Ambient temperature (operation)	-40 °C ... 70 °C
Ambient temperature (storage/transport)	-40 °C ... 70 °C
Ambient temperature (assembly)	-10 °C ... 40 °C

CUC-V14-C1ZNI-S/R4E8:10 - RJ45 connector

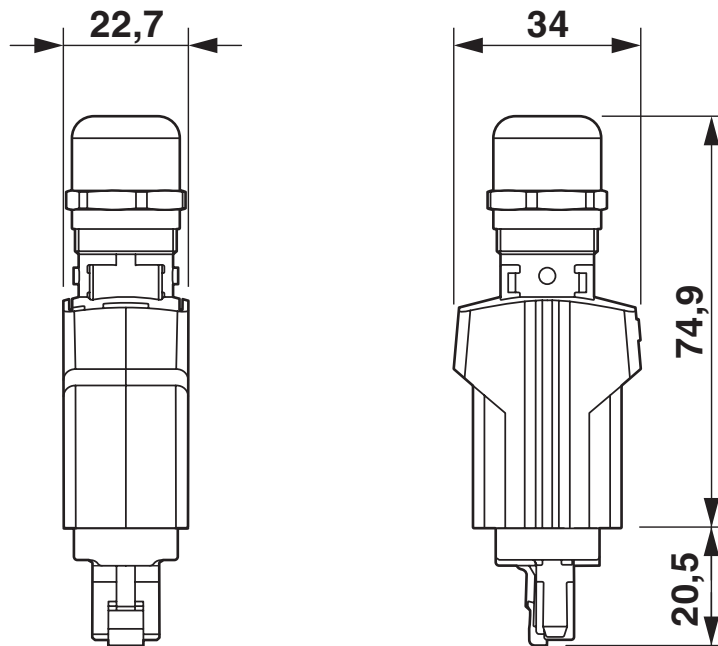
1422680

<https://www.phoenixcontact.com/us/products/1422680>



Drawings

Dimensional drawing



CUC-V14-C1ZNI-S/R4E8:10 - RJ45 connector




1422680

<https://www.phoenixcontact.com/us/products/1422680>

Approvals

To download certificates, visit the product detail page: <https://www.phoenixcontact.com/us/products/1422680>

 cULus Recognized Approval ID: E335024-20170228		Nominal voltage U_N	Nominal current I_N	Cross section AWG	Cross section mm^2
		56.5 V	0.175 A	-	-

CUC-V14-C1ZNI-S/R4E8:10 - RJ45 connector



1422680

<https://www.phoenixcontact.com/us/products/1422680>

Classifications

ECLASS

ECLASS-11.0	27440101
ECLASS-12.0	27440113
ECLASS-13.0	27440116

ETIM

ETIM 8.0	EC002636
----------	----------

UNSPSC

UNSPSC 21.0	39121400
-------------	----------

1422680

<https://www.phoenixcontact.com/us/products/1422680>

Environmental product compliance

EU RoHS

Fulfills EU RoHS substance requirements	Yes
Exemption	6(c)

China RoHS

Environment friendly use period (EFUP)	EFUP-50
	An article-related China RoHS declaration table can be found in the download area for the respective article under "Manufacturer declaration". For all articles with EFUP-E, no China RoHS declaration table issued and required.

EU REACH SVHC

REACH candidate substance (CAS No.)	Lead(CAS: 7439-92-1)
	6,6'-di-tert-butyl-2,2'-methylenedi-p-cresol(CAS: 119-47-1)
SCIP	6bc3e79a-6920-4b19-b7fc-f9d1aaf97771

CUC-V14-C1ZNI-S/R4E8:10 - RJ45 connector

1422680

<https://www.phoenixcontact.com/us/products/1422680>



Accessories

VS-CABLE-STRIP-VARIO - Stripping tool

1657407

<https://www.phoenixcontact.com/us/products/1657407>

Stripping tool, for the multi-level stripping of shielded cables



CUC-V14-F1ZNI-EM/R4F8 - Panel mounting frames

1413961

<https://www.phoenixcontact.com/us/products/1413961>



RJ45 panel mounting frame, IP67, for push-pull interlocking, metal, for rectangular mounting cutout, with seal and mounting screws, incl. RJ45 insert with IDC cable connection

CUC-V14-C1ZNI-S/R4E8:10 - RJ45 connector

1422680

<https://www.phoenixcontact.com/us/products/1422680>

CUC-V14-F1ZNI-EM/R4B8 - Panel mounting frames

1413962

<https://www.phoenixcontact.com/us/products/1413962>



RJ45 panel mounting frame, IP67, for push-pull interlocking, metal, for rectangular mounting cutout, with seal and mounting screws, incl. RJ45 coupling module

CUC-V14-F1ZNI-EM/R4O - Panel mounting frames

1413963

<https://www.phoenixcontact.com/us/products/1413963>



RJ45 panel mounting frame, IP67, for push-pull interlocking, metal, for PCB connection, for square panel cutout, with grommet and mounting screws

CUC-V14-C1ZNI-S/R4E8:10 - RJ45 connector

1422680

<https://www.phoenixcontact.com/us/products/1422680>



VS-PPC-F1-PC-POBK - Protective cover

1405316

<https://www.phoenixcontact.com/us/products/1405316>



Protective cover, IP65, with push-pull locking for covering the contact insert in the push-pull connector for RJ45 and SC-RJ, plastic

Phoenix Contact 2024 © - all rights reserved

<https://www.phoenixcontact.com>

Phoenix Contact USA
586 Fulling Mill Road
Middletown, PA 17057, United States
(+717) 944-1300
info@phoenixcon.com