

VS-08-RJ45-5-Q/IP67 TIA568A - RJ45 connector



1417294

<https://www.phoenixcontact.com/us/products/1417294>

Please be informed that the data shown in this PDF document is generated from our online catalog. Please find the complete data in the user documentation. Our general terms of use for downloads are valid.



RJ45 connector, degree of protection: IP67, number of positions: 8, 1 Gbps, CAT5 (IEC 11801:2002), material: Plastic, connection method: IDC fast connection, connection cross section: AWG 26- 23, cable outlet: straight, color: traffic grey A RAL 7042, Ethernet

Your advantages

- Assembly without special tools
- High-quality and inexpensive solution in the IP protection zone
- Simple operation

Commercial data

Item number	1417294
Packing unit	1 pc
Minimum order quantity	1 pc
Sales key	AB17
Product key	ABNNAA
GTIN	4046356516709
Weight per piece (including packing)	31.8 g
Weight per piece (excluding packing)	31.8 g
Customs tariff number	85366990
Country of origin	DE

VS-08-RJ45-5-Q/IP67 TIA568A - RJ45 connector



1417294

<https://www.phoenixcontact.com/us/products/1417294>

Technical data

Product properties

Product type	Data connector (cable side)
Type	RJ45
Sensor type	Ethernet
Number of positions	8
Connection profile	RJ45
No. of cable outlets	1
Type	RJ45
Cable outlet	straight

Insulation characteristics

Overvoltage category	I
Degree of pollution	2

Electrical properties

Rated voltage (III/3)	72 V (DC)
Rated current	1.75 A
Contact resistance	0.001 Ω (Wire – IDC) 0.005 Ω (Litz wires – IDC)
Transmission medium	Copper
Transmission characteristics (category)	CAT5
Transmission speed	1 Gbps
Power transmission	PoE++

Connection data

Connection technology

Connection method	IDC fast connection
Connection cross section AWG	26 ... 23 (solid) 26 ... 23 (flexible)
Conductor cross section	0.14 mm ² ... 0.36 mm ² (solid) 0.14 mm ² ... 0.36 mm ² (flexible)

Dimensions

Width	38.4 mm
Height	22.4 mm
Length	80 mm

Material specifications

Color	traffic grey A RAL 7042
Flammability rating according to UL 94	V0
Housing material	Plastic
Cable seal material	NBR

VS-08-RJ45-5-Q/IP67 TIA568A - RJ45 connector



1417294

<https://www.phoenixcontact.com/us/products/1417294>

Contact material	Copper alloy
Contact surface material	Gold over nickel
Contact carrier material	PC
O-ring material	FPM

Cable/line

External cable diameter	5 mm ... 8.5 mm
Cable cross section	0.14 mm ²

Environmental and real-life conditions

Ambient conditions

Degree of protection	IP67
Ambient temperature (operation)	-20 °C ... 70 °C
Ambient temperature (storage/transport)	-40 °C ... 70 °C
Ambient temperature (assembly)	-5 °C ... 55 °C

VS-08-RJ45-5-Q/IP67 TIA568A - RJ45 connector

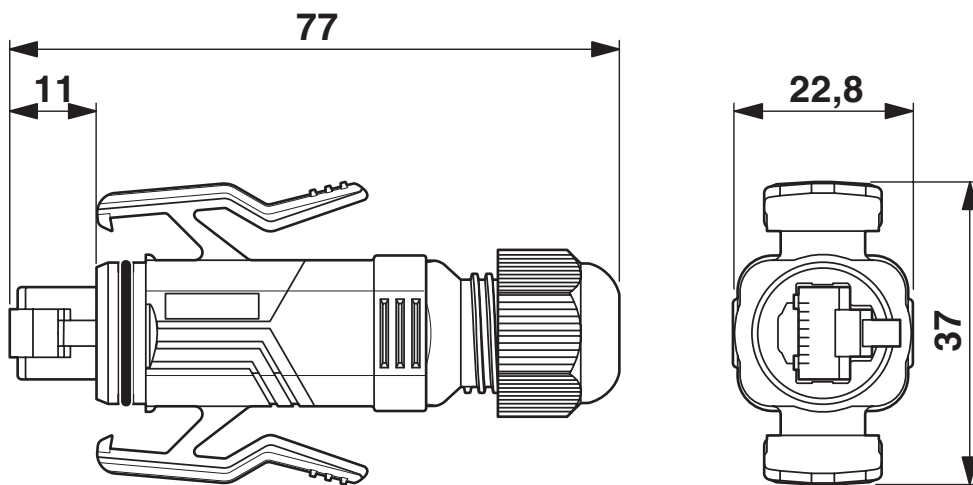


1417294

<https://www.phoenixcontact.com/us/products/1417294>

Drawings

Dimensional drawing



RJ45 connectors, IP67, QUICKON fast connection technology

VS-08-RJ45-5-Q/IP67 TIA568A - RJ45 connector



1417294

<https://www.phoenixcontact.com/us/products/1417294>

Classifications

ECLASS

ECLASS-11.0	27440101
ECLASS-12.0	27440113
ECLASS-13.0	27440116

ETIM

ETIM 8.0	EC002636
----------	----------

UNSPSC

UNSPSC 21.0	39121400
-------------	----------

VS-08-RJ45-5-Q/IP67 TIA568A - RJ45 connector



1417294

<https://www.phoenixcontact.com/us/products/1417294>

Environmental product compliance

EU RoHS

Fulfills EU RoHS substance requirements	Yes, No exemptions
-----------------------------------------	--------------------

China RoHS

Environment friendly use period (EFUP)	EFUP-E
	No hazardous substances above the limits

EU REACH SVHC

REACH candidate substance (CAS No.)	6,6'-di-tert-butyl-2,2'-methylenedi-p-cresol(CAS: 119-47-1)
SCIP	9a9598b7-d250-43dd-973c-64a346207dd9

VS-08-RJ45-5-Q/IP67 TIA568A - RJ45 connector



1417294

<https://www.phoenixcontact.com/us/products/1417294>

Accessories

VS-08-BU-RJ45/KA/LSA - RJ45 jack insert

1689459

<https://www.phoenixcontact.com/us/products/1689459>



RJ45 socket insert, modular (Keystone), CAT5e, 8-pos., shielded, with cable connection (LSA), for solid wires AWG 26 ... 22

VS-08-BU-RJ45/BU - RJ45 coupling

1689064

<https://www.phoenixcontact.com/us/products/1689064>



RJ45 coupling, degree of protection: IP20, number of positions: 8, 1 Gbps, CAT5, material: Plastic, connection method: Coupling, Keystone, Ethernet

VS-08-RJ45-5-Q/IP67 TIA568A - RJ45 connector

1417294

<https://www.phoenixcontact.com/us/products/1417294>



VS-08-BU-RJ45-6/KA/LSA - RJ45 jack insert

1653168

<https://www.phoenixcontact.com/us/products/1653168>



RJ45 socket insert, modular (Keystone), CAT6, 8-pos., shielded, with cable connection (LSA), for litz and solid wires AWG 26 ... 22

VS-RJ11-BU-MOD/BU - RJ11 coupling

1656356

<https://www.phoenixcontact.com/us/products/1656356>



Socket insert RJ11, modular system (Keystone), 6-pos., unshielded

VS-08-RJ45-5-Q/IP67 TIA568A - RJ45 connector



1417294

<https://www.phoenixcontact.com/us/products/1417294>

VS-08-A-RJ45/MOD-1-IP67 - Panel mounting frames

1689080

<https://www.phoenixcontact.com/us/products/1689080>



RJ45 panel mounting frame, IP67, for modular socket inserts (Keystone), for square panel cutout, with grommet, without mounting screws, color: gray

VS-08-A-RJ45/MOD-1-R-IP67 - Panel mounting frames

1689844

<https://www.phoenixcontact.com/us/products/1689844>



RJ45 panel mounting frame, IP67, for modular socket inserts (Keystone), for round panel cutout, with grommet, with thread and union nut, color: gray

VS-08-RJ45-5-Q/IP67 TIA568A - RJ45 connector



1417294

<https://www.phoenixcontact.com/us/products/1417294>

VS-08-A-RJ45/LP-1-IP67 - Panel mounting frames

1689446

<https://www.phoenixcontact.com/us/products/1689446>



RJ45 panel mounting frame, IP67, for PCB connection, for square panel cutout, with grommet, without mounting screws, color: gray

VS-08-A-RJ45/MOD-1-IP67-SETLSA - Panel mounting frames

1652402

<https://www.phoenixcontact.com/us/products/1652402>



RJ45 panel mounting frame, IP67, modular (keystone), for rectangular mounting cutouts, with seal, without mounting screws, with modular RJ45 socket insert, CAT5e, socket to LSA

VS-08-RJ45-5-Q/IP67 TIA568A - RJ45 connector

1417294

<https://www.phoenixcontact.com/us/products/1417294>



VS-08-KU-IP67 - RJ45 coupling

1689268

<https://www.phoenixcontact.com/us/products/1689268>

RJ45 coupling, IP67, CAT5e, with protective cover, color: gray



Phoenix Contact 2024 © - all rights reserved

<https://www.phoenixcontact.com>

Phoenix Contact USA
586 Fulling Mill Road
Middletown, PA 17057, United States
(+717) 944-1300
info@phoenixcon.com