

CUC-V06-C1PGY-S/R4CEA:1 - RJ45 connector



1414406

<https://www.phoenixcontact.com/us/products/1414406>

Please be informed that the data shown in this PDF document is generated from our online catalog. Please find the complete data in the user documentation. Our general terms of use for downloads are valid.



RJ45 connector, design: RJ45, degree of protection: IP67, number of positions: 2, 10 Gbps, CAT6_A, material: Plastic, connection method: Crimp connection, connection cross section: AWG 24- 27, cable outlet: straight, color: gray, Ethernet/PROFINET

Commercial data

Item number	1414406
Packing unit	1 pc
Minimum order quantity	1 pc
Sales key	AB17
Product key	ABNNAB
Catalog page	Page 350 (C-2-2019)
GTIN	4055626028279
Weight per piece (including packing)	18.1 g
Weight per piece (excluding packing)	18.1 g
Customs tariff number	85366990
Country of origin	DE

CUC-V06-C1PGY-S/R4CEA:1 - RJ45 connector



1414406

<https://www.phoenixcontact.com/us/products/1414406>

Technical data

Product properties

Product type	Data connector (cable side)
Type	RJ45
Sensor type	Ethernet/PROFINET
Number of positions	2
Connection profile	RJ45
No. of cable outlets	1
Type	RJ45
Shielded	yes
Cable outlet	straight

Insulation characteristics

Overvoltage category	I
Degree of pollution	2

Electrical properties

Rated voltage (III/3)	72 V (DC)
Rated current	1 A
Frequency range	to 500 MHz
Nominal voltage U_N	72 V (DC)
Nominal current I_N	1.75 A
Transmission medium	Copper
Transmission characteristics (category)	CAT6 _A
Transmission speed	10 Gbps

Connection data

Connection technology

Connection method	Crimp connection
Connection cross section AWG	24 ... 27 (flexible)
Conductor cross section	0.1 mm ² ... 0.2 mm ² (flexible)

Dimensions

Width	38.4 mm
Height	19.9 mm
Length	53 mm

Material specifications

Color	gray
Flammability rating according to UL 94	V0
Housing material	Plastic
Cable seal material	NBR
Contact material	Phosphor bronze

CUC-V06-C1PGY-S/R4CEA:1 - RJ45 connector



1414406

<https://www.phoenixcontact.com/us/products/1414406>

Contact surface material	Gold
Contact carrier material	PC
O-ring material	FPM

Cable/line

External cable diameter ()	5 mm ... 8.5 mm
Cable cross section	0.1 mm ²

Mechanical properties

Mechanical data

Insertion/withdrawal cycles	≥ 1000
-----------------------------	--------

Environmental and real-life conditions

Ambient conditions

Degree of protection	IP67
Ambient temperature (operation)	-25 °C ... 60 °C

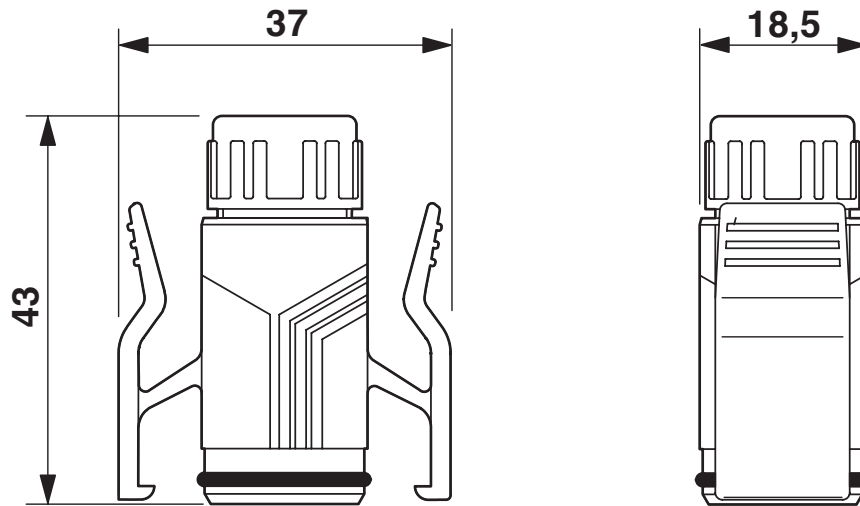
CUC-V06-C1PGY-S/R4CEA:1 - RJ45 connector

1414406

<https://www.phoenixcontact.com/us/products/1414406>

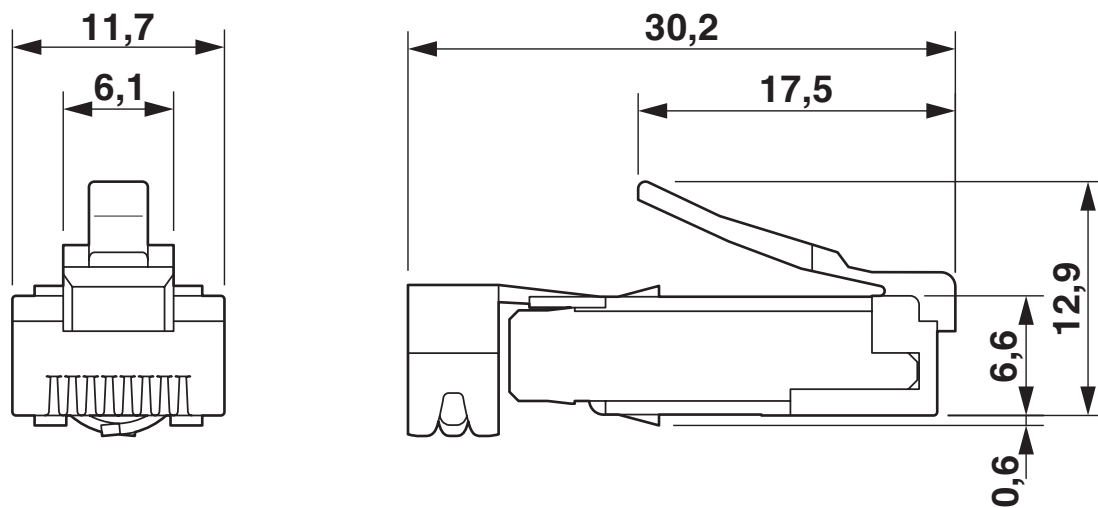
Drawings

Dimensional drawing



RJ45 sleeve housing IP67

Dimensional drawing



RJ45 male insert

CUC-V06-C1PGY-S/R4CEA:1 - RJ45 connector



1414406

<https://www.phoenixcontact.com/us/products/1414406>

Classifications

ECLASS

ECLASS-11.0	27440101
ECLASS-12.0	27440113
ECLASS-13.0	27440116

ETIM

ETIM 9.0	EC002636
----------	----------

UNSPSC

UNSPSC 21.0	39121400
-------------	----------

CUC-V06-C1PGY-S/R4CEA:1 - RJ45 connector



1414406

<https://www.phoenixcontact.com/us/products/1414406>

Environmental product compliance

EU RoHS

Fulfills EU RoHS substance requirements	Yes, No exemptions
---	--------------------

China RoHS

Environment friendly use period (EFUP)	EFUP-E
	No hazardous substances above the limits

EU REACH SVHC

REACH candidate substance (CAS No.)	6,6'-di-tert-butyl-2,2'-methylenedi-p-cresol(CAS: 119-47-1)
SCIP	9f9dbbdc-71ed-4a2c-b3d7-3d4002efb2bc

CUC-V06-C1PGY-S/R4CEA:1 - RJ45 connector



1414406

<https://www.phoenixcontact.com/us/products/1414406>

Accessories

VS-CT-RJ45-H - Crimping pliers

1653265

<https://www.phoenixcontact.com/us/products/1653265>



Crimp tool, pliers with die, for RJ45 pin inserts VS-08-ST-H...-RJ45 and VS-08-RJ45-10G/C

Phoenix Contact 2024 © - all rights reserved
<https://www.phoenixcontact.com>

Phoenix Contact USA
586 Fulling Mill Road
Middletown, PA 17057, United States
(+717) 944-1300
info@phoenixcon.com