

CUC-IND-C1ZNI-S/R4QV6 - RJ45 connector



1406335

<https://www.phoenixcontact.com/us/products/1406335>

Please be informed that the data shown in this PDF document is generated from our online catalog. Please find the complete data in the user documentation. Our general terms of use for downloads are valid.



RJ45 connector, design: RJ45, degree of protection: IP20, number of positions: 6, 100 Mbps, CAT5, material: Metal, connection method: Insulation displacement connection, connection cross section: AWG 26- 24, cable outlet: straight, High degree of resistance to vibration; 360° shielding; one-piece design; special tool-free assembly, VARAN

Your advantages

- Easy and time-saving assembly with IDC fast connection technology
- Can be used internationally due to EAC, UL 1863, and CAN/CSA C22.2
- Ideal companion for servicing or repairs in the field: no special tools required for mounting

Commercial data

Item number	1406335
Packing unit	1 pc
Minimum order quantity	1 pc
Sales key	AB10
Product key	ABNAAA
GTIN	4046356760713
Weight per piece (including packing)	27.7 g
Weight per piece (excluding packing)	27.7 g
Customs tariff number	85366990
Country of origin	PL

1406335

<https://www.phoenixcontact.com/us/products/1406335>

Technical data

Product properties

Product type	Data connector (cable side)
Type	RJ45
Sensor type	VARAN
Number of positions	6
Connection profile	RJ45
No. of cable outlets	1
Type	RJ45
Shielded	no
Cable outlet	straight
Positions/contacts	8P6C

Insulation characteristics

Overvoltage category	I
Degree of pollution	2

Electrical properties

Rated voltage (III/3)	72 V (DC)
Rated current	1.75 A
Contact resistance	< 20 mΩ (Contact) < 100 mΩ (shield)
Frequency range	to 100 MHz
Insulation resistance	> 500 MΩ
Nominal voltage U_N	48 V
Nominal current I_N	1.75 A
Contact resistance per contact pair	< 20 Ω
Contact resistance	> 10 mΩ (Wire – IDC)
Transmission medium	Copper
Transmission characteristics (category)	CAT5
Transmission speed	100 Mbps

Connection data

Connection technology

Connection method	Insulation displacement connection
Connection cross section AWG	4x 26 ... 24 (Data (solid and stranded)) 2x 26 ... 24 (Power (solid and stranded))
Conductor cross section	4x 0.25 mm ² ... 0.34 mm ² (Data (solid and stranded)) 2x 0.32 mm ² (Power (solid and stranded))
Cable outlet, angle	180

Dimensions

CUC-IND-C1ZNI-S/R4QV6 - RJ45 connector



1406335

<https://www.phoenixcontact.com/us/products/1406335>

Width	13.65 mm
Height	14.4 mm
Length	53 mm

Material specifications

Material	Plastic
Flammability rating according to UL 94	V0
Housing material	Metal
Housing surface material	Ni
Cable seal material	NBR
Contact material	CuSn
Contact surface material	Au/Ni
Contact carrier material	PC
Locking latch material	Stainless steel
Material for screw connection	PA

Cable/line

External cable diameter	5 mm ... 9 mm
External cable diameter	5 mm ... 9 mm
Wire diameter including insulation	≤ 1.6 mm
Cable cross section	0.25 mm ²
Test voltage Core/Core	1000 V
Test voltage Core/Shield	1500.00 V

Mechanical properties

Mechanical data

Insertion/withdrawal cycles	≥ 750
Insertion force per signal contact	< 20.00 N
Extraction force per signal contact	< 20 N

Environmental and real-life conditions

Test specification

Type of test	Vibration test
Specification	IEC 60068-2-6
Frequency	2-2000 Hz
Sweep speed	1 octave/min
Amplitude	1.00 mm
Acceleration	200.00 m/s ²
Test duration	20.00 s

Test specification

Type of test	Shock testing
Specification	IEC 60068-2-27
Acceleration	491.00 m/s ²

CUC-IND-C1ZNI-S/R4QV6 - RJ45 connector



1406335

<https://www.phoenixcontact.com/us/products/1406335>

Number of shocks per direction	5.00
--------------------------------	------

Ambient conditions

Degree of protection	IP20
Ambient temperature (operation)	-40 °C ... 70 °C
Ambient temperature (storage/transport)	-40 °C ... 70 °C

Mounting

Mounting type	For field assembly
---------------	--------------------

CUC-IND-C1ZNI-S/R4QV6 - RJ45 connector

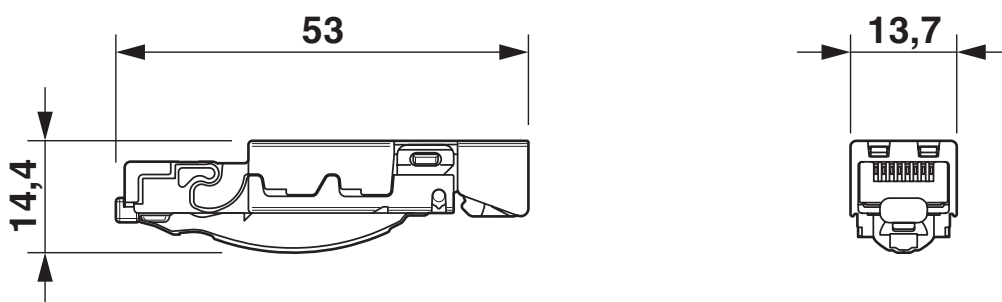
1406335

<https://www.phoenixcontact.com/us/products/1406335>



Drawings

Dimensional drawing



CUC-IND-C1ZNI-S/R4QV6 - RJ45 connector




1406335

<https://www.phoenixcontact.com/us/products/1406335>

Approvals

To download certificates, visit the product detail page: <https://www.phoenixcontact.com/us/products/1406335>

 cULus Recognized Approval ID: E335024-20170228				
	Nominal voltage U_N	Nominal current I_N	Cross section AWG	Cross section mm^2
	56.5 V	0.175 A	-	-

CUC-IND-C1ZNI-S/R4QV6 - RJ45 connector



1406335

<https://www.phoenixcontact.com/us/products/1406335>

Classifications

ECLASS

ECLASS-11.0	27440101
ECLASS-12.0	27440113
ECLASS-13.0	27440116

ETIM

ETIM 9.0	EC002636
----------	----------

UNSPSC

UNSPSC 21.0	39121400
-------------	----------

CUC-IND-C1ZNI-S/R4QV6 - RJ45 connector



1406335

<https://www.phoenixcontact.com/us/products/1406335>

Environmental product compliance

EU RoHS

Fulfills EU RoHS substance requirements	Yes, No exemptions
---	--------------------

China RoHS

Environment friendly use period (EFUP)	EFUP-E
	No hazardous substances above the limits

EU REACH SVHC

REACH candidate substance (CAS No.)	No substance above 0.1 wt%
-------------------------------------	----------------------------

CUC-IND-C1ZNI-S/R4QV6 - RJ45 connector



1406335

<https://www.phoenixcontact.com/us/products/1406335>

Accessories

VS-CABLE-STRIP-VARIO - Stripping tool

1657407

<https://www.phoenixcontact.com/us/products/1657407>

Stripping tool, for the multi-level stripping of shielded cables



MICROFOX-SP-1 - Diagonal cutter

1212487

<https://www.phoenixcontact.com/us/products/1212487>

Electronic diagonal cutter, tapered head, without chamfer, with opening spring, non-reflective phosphate-treated surface, punched version



CUC-IND-C1ZNI-S/R4QV6 - RJ45 connector



1406335

<https://www.phoenixcontact.com/us/products/1406335>

TMT 5 R - Marker for terminal blocks

0816430

<https://www.phoenixcontact.com/us/products/0816430>



Marker for terminal blocks, Roll, white, unlabeled, can be labeled with: THERMOMARK E.300 (D)/600 (D), THERMOMARK ROLL 2.0, THERMOMARK ROLL, THERMOMARK ROLL X1, THERMOMARK ROLLMASTER 300/600, THERMOMARK X1.2, perforated, mounting type: snapped, snap into flat marker groove, for terminal block width: 5.2 mm, lettering field size: 6.4 x 5.15 mm, Number of individual labels: 19000

TMT 5 R RD - Marker for terminal blocks

0816427

<https://www.phoenixcontact.com/us/products/0816427>



Marker for terminal blocks, Roll, red, unlabeled, can be labeled with: THERMOMARK E.300 (D)/600 (D), THERMOMARK ROLL 2.0, THERMOMARK ROLL, THERMOMARK ROLL X1, THERMOMARK ROLLMASTER 300/600, THERMOMARK X1.2, perforated, mounting type: snap into universal marker groove, snap into flat marker groove, for terminal block width: 5.2 mm, lettering field size: 6.4 x 5.15 mm, Number of individual labels: 19000

CUC-IND-C1ZNI-S/R4QV6 - RJ45 connector



1406335

<https://www.phoenixcontact.com/us/products/1406335>

TMT 5 R GN - Marker for terminal blocks

0816401

<https://www.phoenixcontact.com/us/products/0816401>



Marker for terminal blocks, Roll, green, unlabeled, can be labeled with: THERMOMARK E.300 (D)/600 (D), THERMOMARK ROLL 2.0, THERMOMARK ROLL, THERMOMARK ROLL X1, THERMOMARK ROLLMASTER 300/600, THERMOMARK X1.2, perforated, mounting type: snap into universal marker groove, snap into flat marker groove, for terminal block width: 5.2 mm, lettering field size: 6.4 x 5.15 mm, Number of individual labels: 19000

Phoenix Contact 2024 © - all rights reserved

<https://www.phoenixcontact.com>

Phoenix Contact USA
586 Fulling Mill Road
Middletown, PA 17057, United States
(+717) 944-1300
info@phoenixcon.com