

TX6™ PLUS 30 AWG UTP Modular Plug

PANDUIT®

SPECIFICATION SHEET

specifications

Category 6/Class E, 8-position, 8-wire, UTP modular plug shall terminate most 4-pair, 30 AWG, 100 ohm, stranded, unshielded twisted pair cable with maximum conductor insulation diameter of 0.021 in. (0.53mm). Pair manager simplifies termination and provides strain relief for small diameter 30 AWG cable. Modular plug shall terminate to T568A and T568B wiring schemes.



technical information

ANSI/TIA and ISO compliance:	Meets TIA/EIA Category 6 and ISO Class E performance requirements for NEXT and RL when properly terminated to category compliant cable
IEC compliance:	IEC 60603-7
c(UL) listed:	UL 1863, CSA Standard C22.2
RoHS compliance:	Compliant
Conductor termination:	Compatible with most 30 AWG stranded cables with 0.122 in. to 0.130 in. (3.10mm to 3.30mm) outer jacket diameter and 0.021 in. (0.53mm) maximum conductor insulation diameter
Operating temperature:	-14°F to 140°F (-10°C to 60°C)
Storage temperature:	-40°F to 158°F (-40°C to 70°C)
Plug housing:	UL94V-0 rated clear Polycarbonate
Cable manager:	UL94V-0 rated clear, tinted polycarbonate
Contacts:	Gold plated phosphor bronze

key features and benefits

Patented tangle-free latch	Prevents snags and provides easy release, saving time and providing reliability on frequent moves, adds, and changes
Robust construction	Rated to 2500 mating cycles

TX6™ PLUS 30 AWG UTP Modular Plug

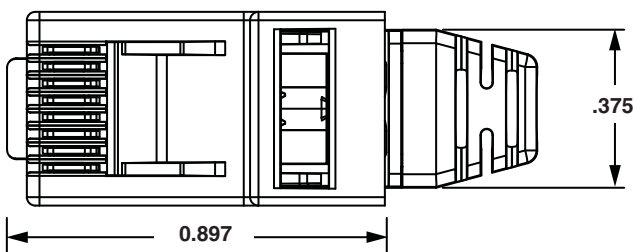
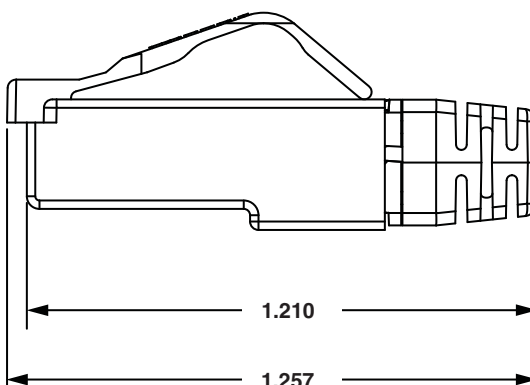
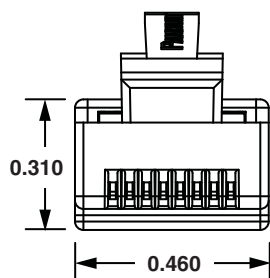
100/pack: SP630-C

Tools and Accessories

Small gauge plug assembly tool:	SGPT
Crimp tool:	MPT5-8AS
Wire prep tool:	WPT-8
Standard RJ45 plug lock-in device:	PSL-DCPLX^
Recessed RJ45 plug lock-in device:	PSL-DCPLRX^

^For colors other than Red, add suffix
-BL (Black), -BU (Blue), -GR (Green), -YL (Yellow),
-OR (Orange), IW (International White), or -IG
(International Gray) to the end of the
part number.

TX6™ PLUS 30 AWG UTP Modular Plug



WORLDWIDE SUBSIDIARIES AND SALES OFFICES

PANDUIT CANADA
Markham, Ontario
cs-cdn@panduit.com
Phone: 800.777.3300

PANDUIT EUROPE LTD.
London, UK
cs-emea@panduit.com
Phone: 44.20.8601.7200

PANDUIT SINGAPORE PTE. LTD.
Republic of Singapore
cs-ap@panduit.com
Phone: 65.6305.7575

PANDUIT JAPAN
Tokyo, Japan
cs-japan@panduit.com
Phone: 81.3.6863.6000

PANDUIT LATIN AMERICA
Guadalajara, Mexico
cs-la@panduit.com
Phone: 52.33.3777.6000

PANDUIT AUSTRALIA PTY. LTD.
Victoria, Australia
cs-aus@panduit.com
Phone: 61.3.9794.9020

For a copy of Panduit product warranties, log on to www.panduit.com/warranty

For more information

Visit us at www.panduit.com

Contact Customer Service by email: cs@panduit.com
or by phone: 800.777.3300

PANDUIT®

©2013 Panduit Corp.
ALL RIGHTS RESERVED.
COSP296--WW-ENG
Replaces WW-COSP221
1/2013