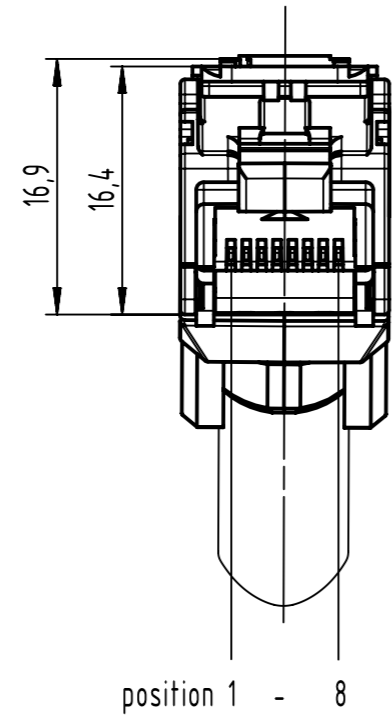
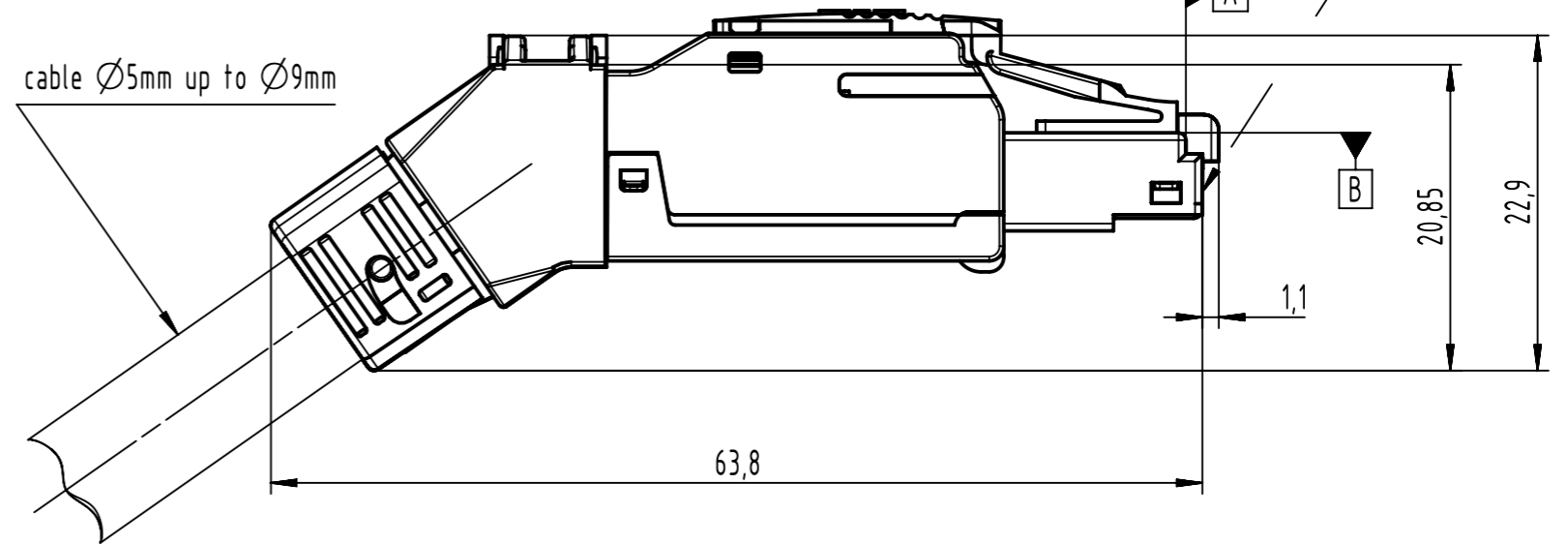


cable exit right

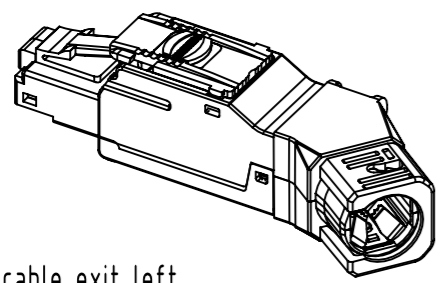


position 1 - 8

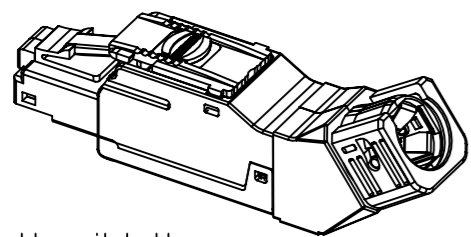
cable  $\varnothing 5\text{mm}$  up to  $\varnothing 9\text{mm}$



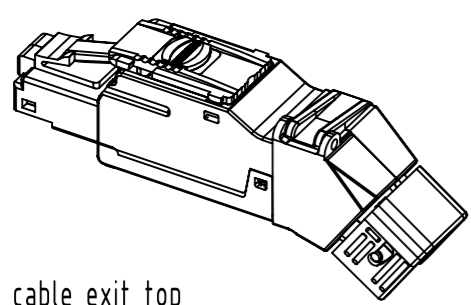
mating face acc. to IEC 60603-7



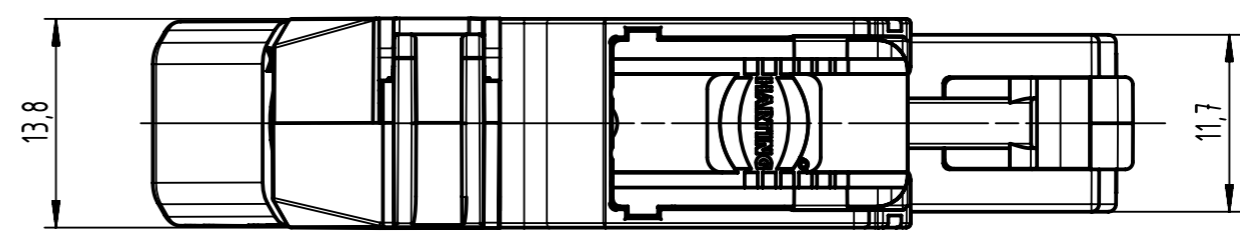
cable exit left



cable exit bottom



cable exit top



	All Dimensions in mm Original Size DIN A3		Scale 2:1	Free size tol.		Ref. Sub.	
	All rights reserved Department EL PD		Created by 406403	Inspected by PREOTU	Standardisation ROEBEN	Date 2023-06-15	State Final Release
HARTING D-32339 Espelkamp		Title preLink RJ45 plug, IP20 Cat.6A L-35°				Doc-Key / ECM-Nr. 100877052/UGD/000/D 50000024.74.02	
		Type TB	Number 20821010022		Rev. D	Page 1/1	