

CUSTOMER DRAWING

PART NUMBER: DCC-RJ SERIES

NOTES:

MATERIALS:

SEALING NUT: THERMOPLASTIC
 COUPLING RING: THERMOPLASTIC
 SEALING RING: ELASTOMER
 PLUG HOUSING: THERMOPLASTIC
 O-RING: ELASTOMER
 RJ45 PLUG:
 INSULATOR: THERMOPLASTIC
 CONTACTS: COPPER ALLOY, GOLD PLATED
 SHIELD (SHIELDED OPTION ONLY): COPPER ALLOY, TIN PLATED
 INSERT: THERMOPLASTIC

ELECTRICAL:

CONTACT RESISTANCE: 20 MILLIOHMS MAXIMUM
 INSULATION RESISTANCE: 500 MEGAOHMS MINIMUM
 WITHSTANDING VOLTAGE: 1000V DC

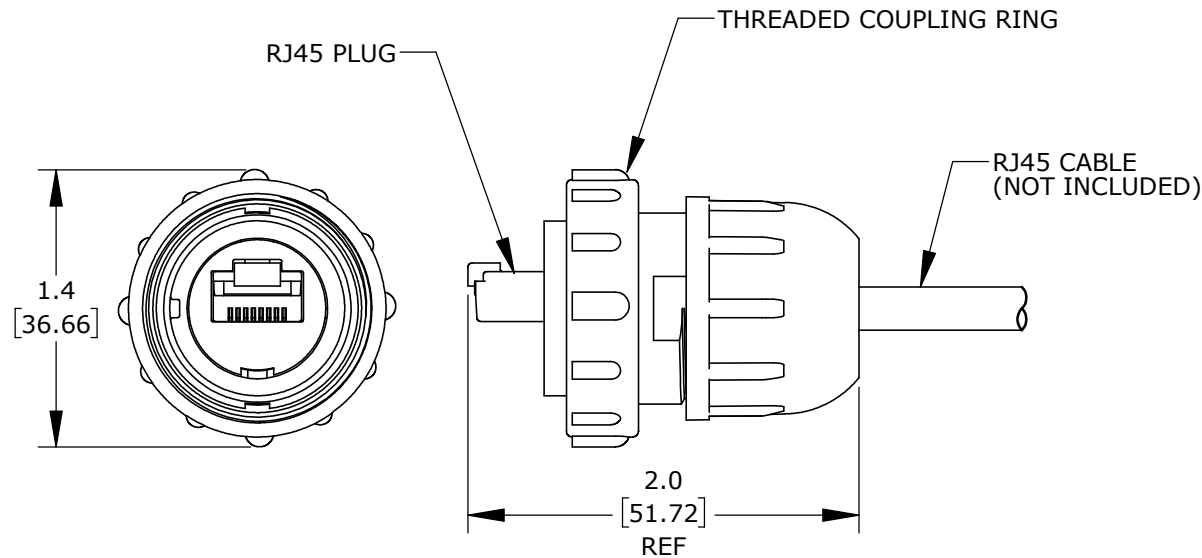
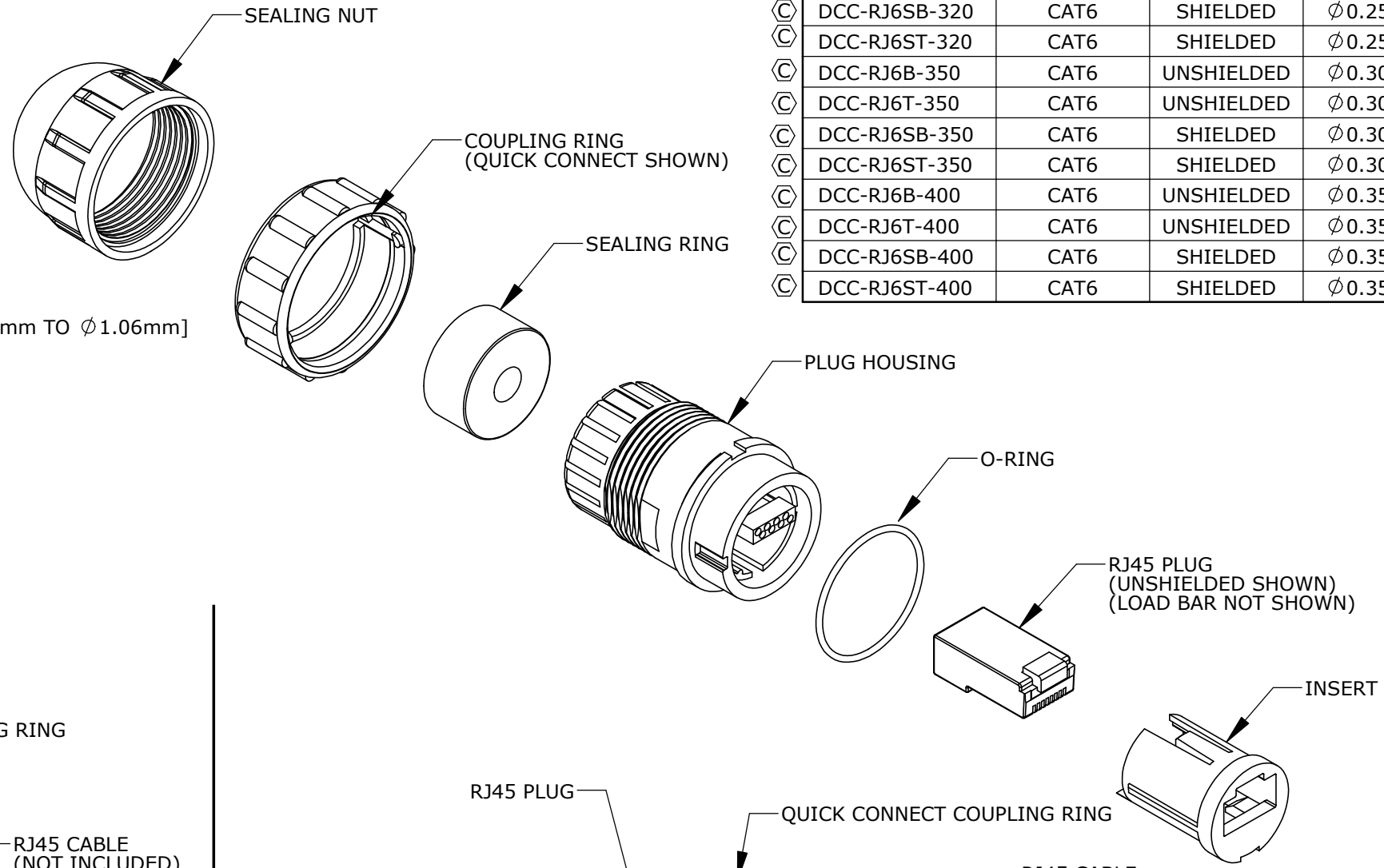
PRODUCT RATING:

IP67 & IP68, NEMA 250 (6P)
 RJ45 PLUG: CATEGORY 6 TIA/EIA 568 C.2

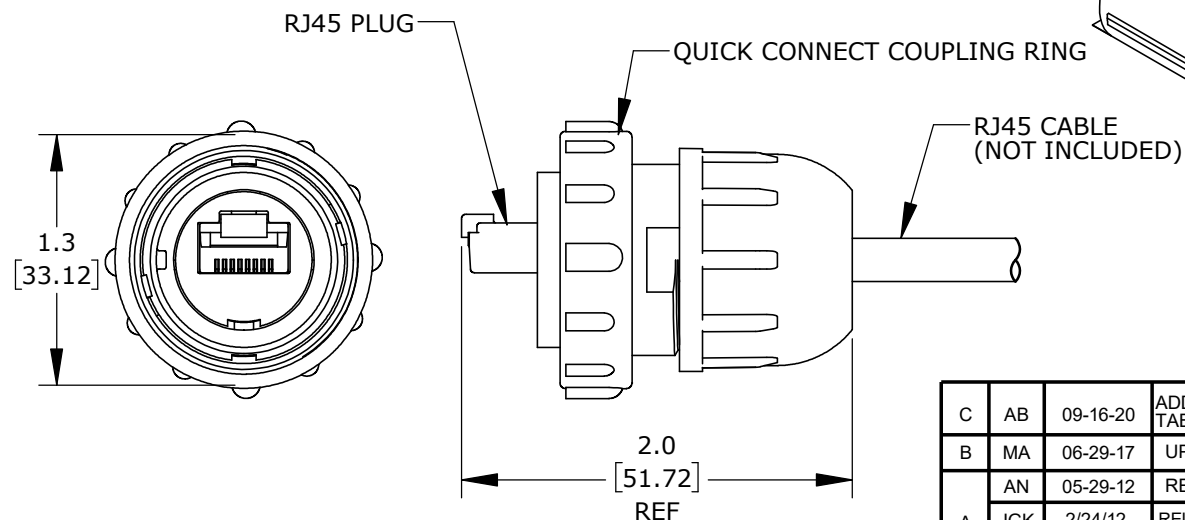
OTHER:

OPERATING TEMPERATURE: -10 °C TO +60 °C
 RECOMMENDED CABLE TYPE:
 CONDUCTOR TYPE: SOLID OR STRANDED CONDUCTORS
 Ⓢ OUTER CABLE O.D. RANGE: SEE TABLE
 CONDUCTOR INSULATOR O.D. RANGE: ϕ 0.037 TO ϕ 0.042 [ϕ 0.94mm TO ϕ 1.06mm]
 RECOMMENDED CRIMP/TERMINATION TOOLS:
 SENTINEL:
 HAND RATCHET TOOL, PART NUMBER "900005"
 DIE SET, PART NUMBER "900216"

PART NUMBER	RJ45 TYPE	SHIELDING	CABLE RANGE	COUPLING TYPE
DCC-RJ6B-310	CAT6	UNSHIELDED	ϕ 0.190-0.250	QUICK CONNECT
DCC-RJ6T-310	CAT6	UNSHIELDED	ϕ 0.190-0.250	THREADED
DCC-RJ6SB-310	CAT6	SHIELDED	ϕ 0.190-0.250	QUICK CONNECT
DCC-RJ6ST-310	CAT6	SHIELDED	ϕ 0.190-0.250	THREADED
Ⓢ DCC-RJ6B-320	CAT6	UNSHIELDED	ϕ 0.251-0.300	QUICK CONNECT
Ⓢ DCC-RJ6T-320	CAT6	UNSHIELDED	ϕ 0.251-0.300	THREADED
Ⓢ DCC-RJ6SB-320	CAT6	SHIELDED	ϕ 0.251-0.300	QUICK CONNECT
Ⓢ DCC-RJ6ST-320	CAT6	SHIELDED	ϕ 0.251-0.300	THREADED
Ⓢ DCC-RJ6B-350	CAT6	UNSHIELDED	ϕ 0.301-0.350	QUICK CONNECT
Ⓢ DCC-RJ6T-350	CAT6	UNSHIELDED	ϕ 0.301-0.350	THREADED
Ⓢ DCC-RJ6SB-350	CAT6	SHIELDED	ϕ 0.301-0.350	QUICK CONNECT
Ⓢ DCC-RJ6ST-350	CAT6	SHIELDED	ϕ 0.301-0.350	THREADED
Ⓢ DCC-RJ6B-400	CAT6	UNSHIELDED	ϕ 0.351-0.400	QUICK CONNECT
Ⓢ DCC-RJ6T-400	CAT6	UNSHIELDED	ϕ 0.351-0.400	THREADED
Ⓢ DCC-RJ6SB-400	CAT6	SHIELDED	ϕ 0.351-0.400	QUICK CONNECT
Ⓢ DCC-RJ6ST-400	CAT6	SHIELDED	ϕ 0.351-0.400	THREADED



**INDUSTRIAL RJ45 CABLE PLUG
 THREADED COUPLING
 (DCC-RJ6T-310 SHOWN)**



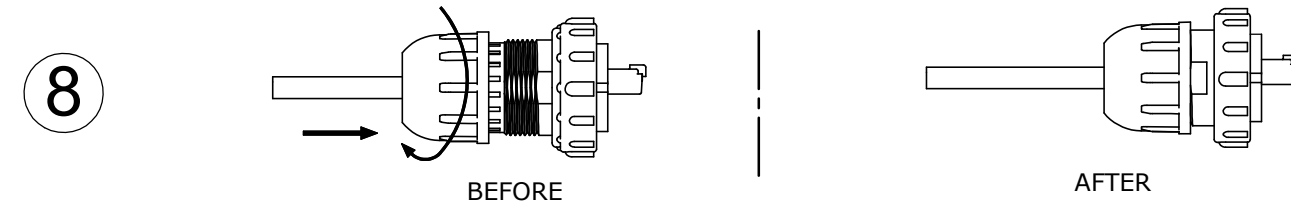
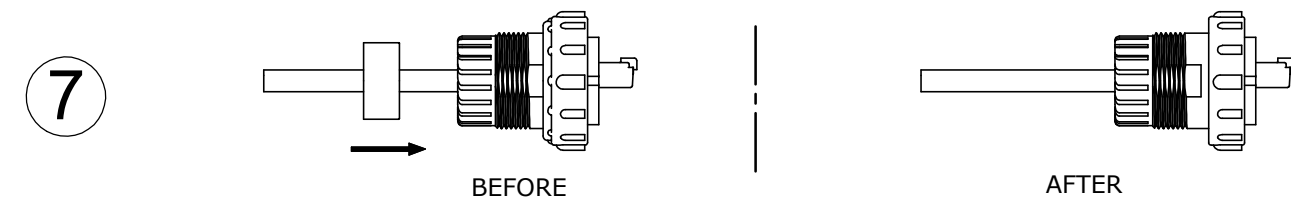
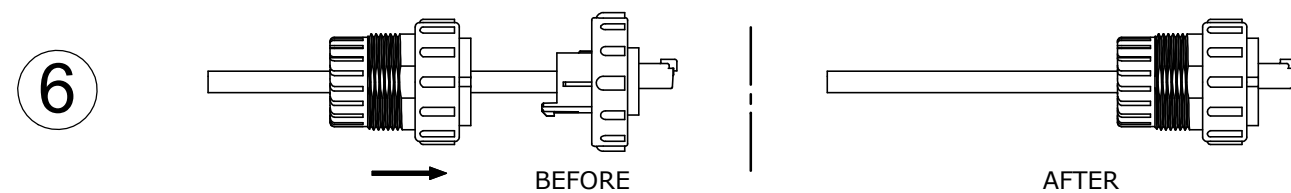
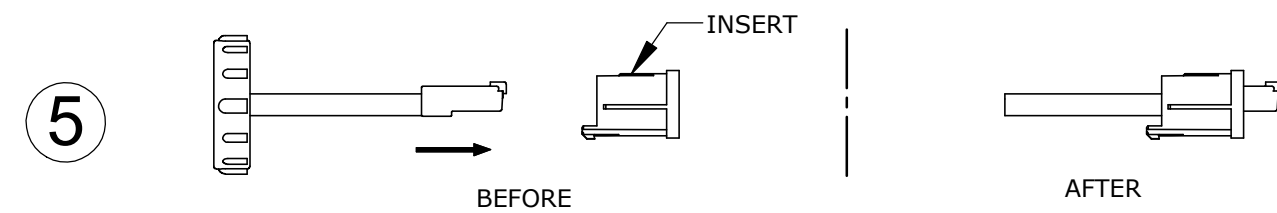
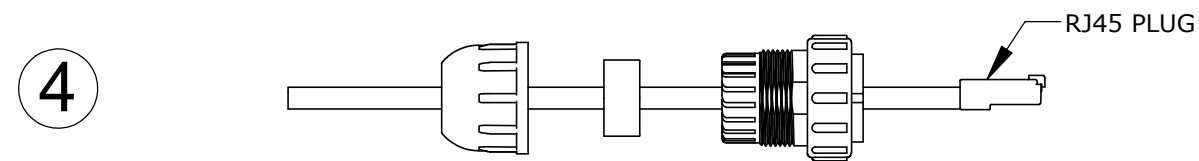
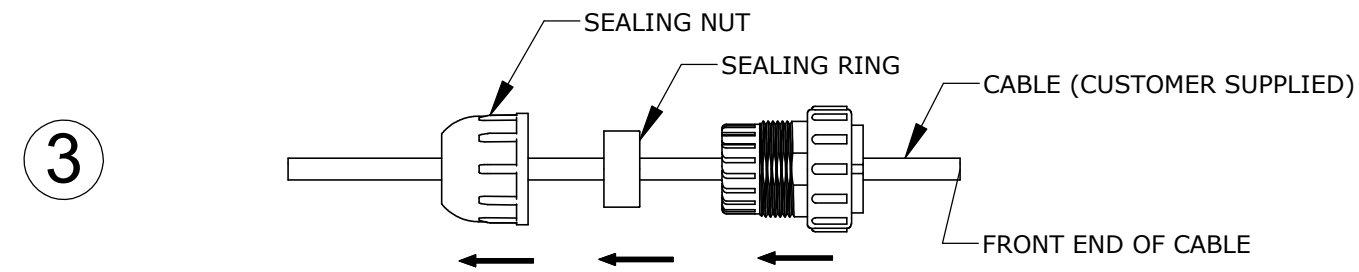
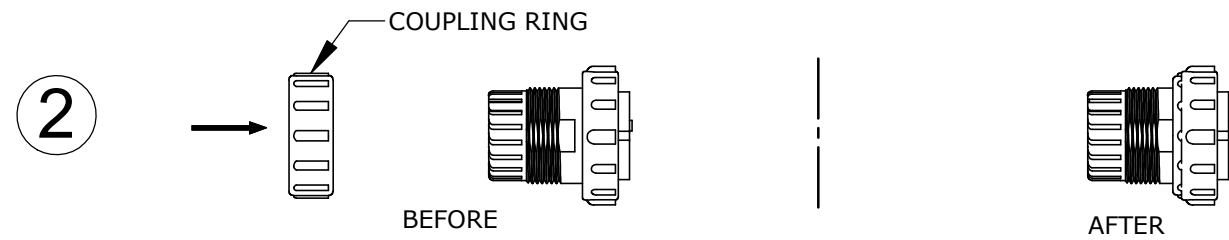
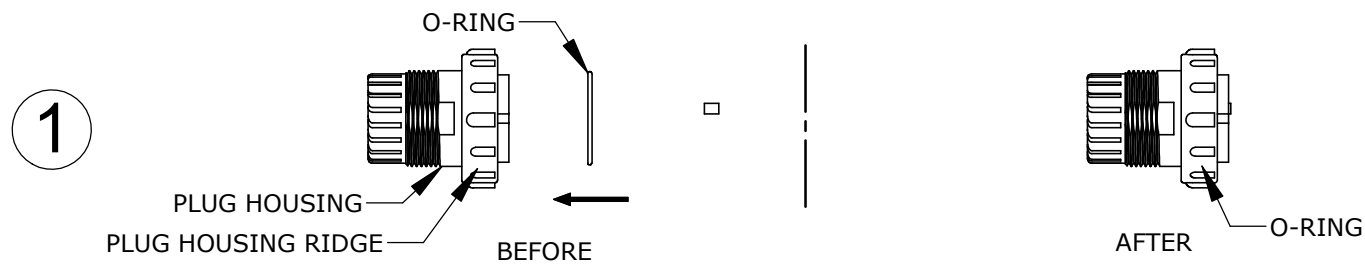
**INDUSTRIAL RJ45 CABLE PLUG
 QUICK CONNECT COUPLING
 (DCC-RJ6B-310 SHOWN)**

DIMENSIONS IN BRACKET [] ARE METRIC.

RoHS COMPLIANT

C	AB	09-16-20	ADDED NEW P/N'S DCCXXX-320/-350/-400 & SEALING RING P/N'S TO TABLE PER DOR 20-107550JS
B	MA	06-29-17	UPDATED COMPONENT PER ECR 8944
	AN	05-29-12	REVISED TO CXA STANDARD
A	JGK	2/24/12	RELEASE TO MAUNUFACTURING. SEE REV "0D" FOR HISTORY. PER DOR 08003
ALL INFORMATION ILLUSTRATED IS THE PROPERTY OF "CONXALL CORPORATION". UNAUTHORIZED DUPLICATION OR DISTRIBUTION OF THIS DOCUMENT IS PROHIBITED.			ORIG. DRAWN BY: BAS DATE: 07/23/10
ALL UNITS ARE IN FEET, INCHES, FRACTION OF INCHES AND DECIMALS. UNLESS OTHERWISE SPECIFIED TOLERANCES: 3 PLACE DECIMALS ±.005 ANGLES ±1° FRACTIONS ±1/16 Ⓢ = CRITICAL CHARACTERISTIC FLAG PER SPEC. XXXX			TITLE: INDUSTRIAL RJ45 PLUG FIELD INSTALLABLE DATA-CON-X STANDARD PRODUCT CUSTOMER:
APPROVED BY:		SCALE: NTS SIZE: B SHEET: 1 OF 2	PART NUMBER: DCC-RJ SERIES
FILE: DCC-RJ SERIES		DIRECTORY: SLW	REV: C



**ASSEMBLY INSTRUCTIONS:**

- SLIDE THE O-RING ONTO THE FRONT END OF THE PLUG HOUSING UNTIL IT SEATS UP AGAINST THE RIDGE ON THE PLUG HOUSING.
- SLIDE THE COUPLING RING OVER THE PLUG HOUSING.
NOTE: MAKE SURE THE FRONT OF THE COUPLING RING CAN SLIDE PAST THE RIDGE ON THE PLUG HOUSING. IF NOT, IT IS INSERTED THE WRONG WAY.
- SLIDE THE SEALING NUT, SEALING RING, AND PLUG HOUSING/COUPLING RING OVER THE FRONT END OF THE CABLE IN THE FOLLOWING ORDER:
1ST. SEALING NUT.
2ND. SEALING RING.
3RD. PLUG HOUSING/COUPLING RING.
- TERMINATE THE RJ45 PLUG TO THE CABLE.
NOTE: SEE SUPPLEMENTAL TERMINATION GUIDES FOR CABLE TERMINATION INSTRUCTIONS.
- SLIDE THE RJ45 PLUG INTO THE BACK END OF THE INSERT UNTIL IT SNAPS INTO PLACE.
- SLIDE THE INSERT/RJ45 PLUG INTO THE FRONT END OF THE PLUG HOUSING UNTIL IT SNAPS INTO PLACE.
- PUSH THE SEALING RING INTO THE REAR OF THE PLUG HOUSING.
NOTE: NO PART OF THE SEALING RING SHOULD EXTEND PAST THE REAR OF THE PLUG HOUSING.
- SCREW THE SEALING NUT ONTO THE PLUG HOUSING.

C	AB	09-16-20	ADDED NEW P/N'S DCCXXX-320/-350/-400 & SEALING RING P/N'S TO TABLE PER DOR 20-107550JS
B	MA	06-29-17	UPDATED COMPONENT PER ECR 8944
	AN	05-29-12	REVISED TO CXA STANDARD
A	JGK	2/24/12	RELEASE TO MAUNFACTURING. SEE REV "0D" FOR HISTORY. PER DOR 08003
REV.	INIT.	DATE	DESCRIPTION
ALL INFORMATION ILLUSTRATED IS THE PROPERTY OF CONXALL CORPORATION. UNAUTHORIZED DUPLICATION OR DISTRIBUTION OF THIS DOCUMENT IS PROHIBITED.			ORIG. DRAWN BY: DATE: BAS 02/25/10
ALL UNITS ARE IN FEET, INCHES, FRACTION OF INCHES AND DECIMALS. UNLESS OTHERWISE SPECIFIED TOLERANCES: 3 PLACE DECIMALS ±.005 ANGLES ±1° FRACTIONS ±1/16 - CRITICAL CHARACTERISTIC FLAG PER SPEC. XXXX			APPROVED BY:
SCALE: NTS		SIZE: B	SHEET: 2 OF 2
FILE: DCC-RJ SERIES	DIRECTORY: SLW	PART NUMBER: DCC-RJ SERIES	REV: C

RoHS COMPLIANT

601 E. WILDWOOD VILLA PARK, IL 60181

 TITLE: INDUSTRIAL RJ45 PLUG
FIELD INSTALLABLE
DATA-CON-X
STANDARD PRODUCT

CUSTOMER: STANDARD PRODUCT